



# QT-10-120/277

## 12V OR 24V

Low Voltage Magnetic Transformer

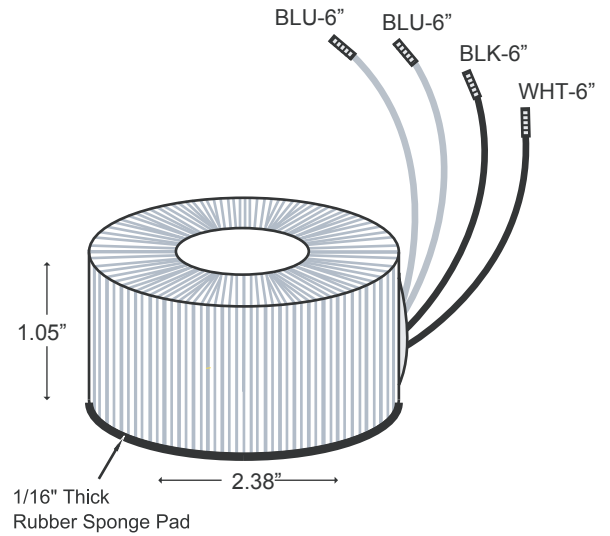
# Specification Sheet

Q-Tran, Inc. reserves the right to change product specifications at any time without incurring obligations.

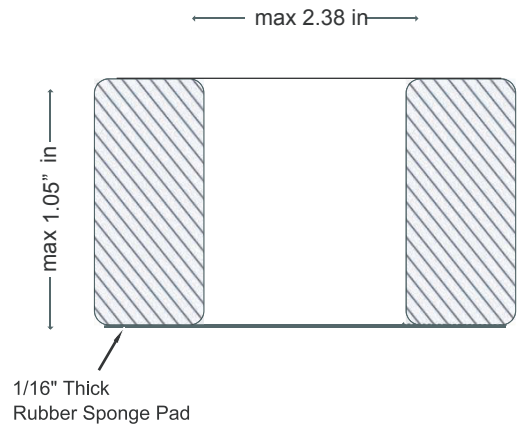
- 1 - Power Rating: 10 Watts
- 2 - Primary Voltage: 120V (60Hz) or 277V (60Hz)
- 3 - Secondary Voltage: 12V or 24V
- 4 - Class B insulation system
- 5 - Quiet operation at any light level
- 6 - Fully dimmable with Magnetic Low Voltage dimmer



### Transformer View



### Cross-sectional View



## Model Numbers:

- QT-10-120/12
- QT-10-120/24
- QT-10-277/12
- QT-10-277/24

