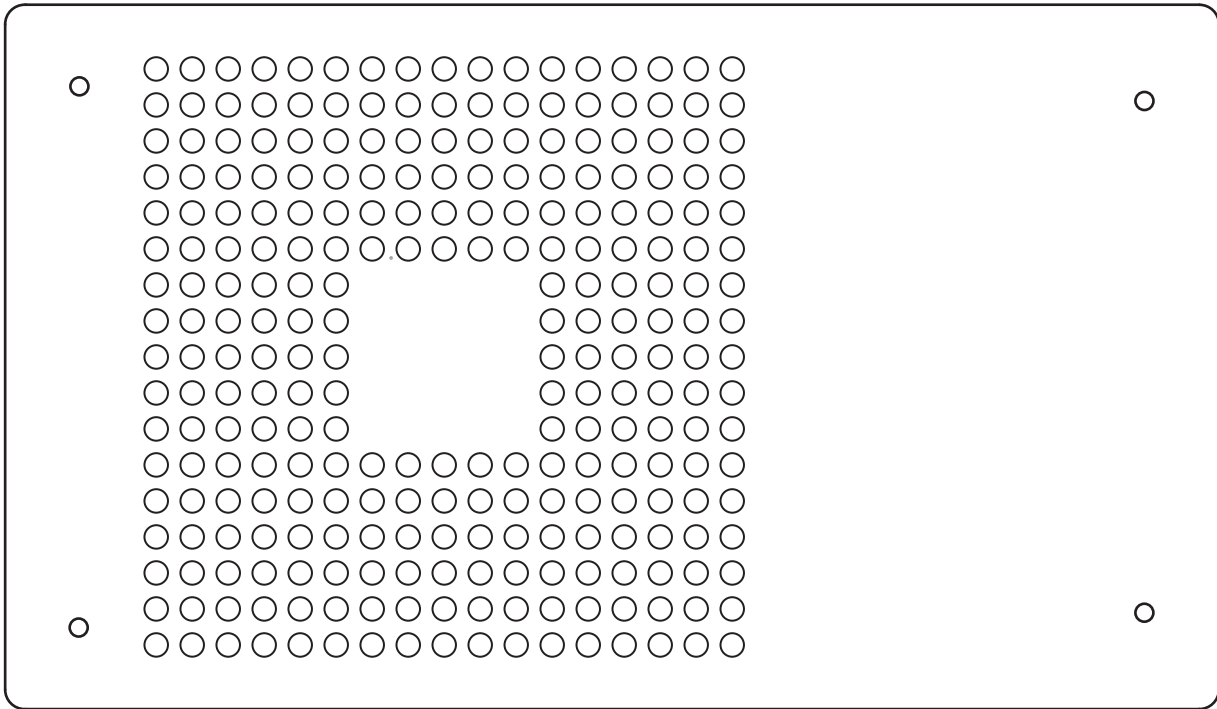


# QTM-DC Power Supply Installation Instructions



ENLIGHTENED THINKING



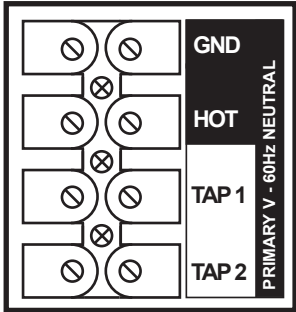
ENLIGHTENEDTHINKING®

# QT Design Guide & Installation Instructions

QTM-DC (PSC) Field Wiring Made Simple

## PRIMARY

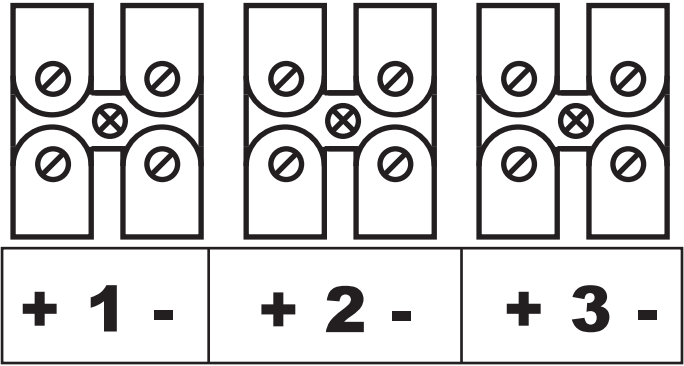
Line Voltage



- Land Ground
- Land Hot
- Land Neutral on one tap.  
Chose either tap 1 or 2

## SECONDARY

Low Voltage



RED = Positive

YELLOW = Negative

### NOTE:

Primary Input - connect the 120V hot into block labeled Hot. Connect the neutral wire into Tap 1 or Tap 2 depending on desired output Voltage.

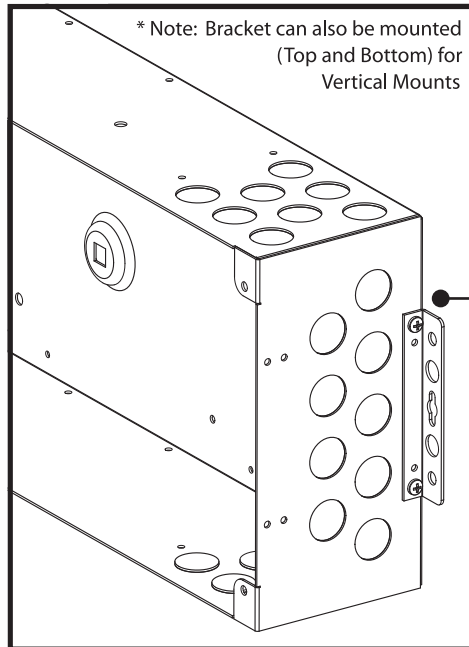
**Must test all voltage readings with a True RMS Voltage Meter.**



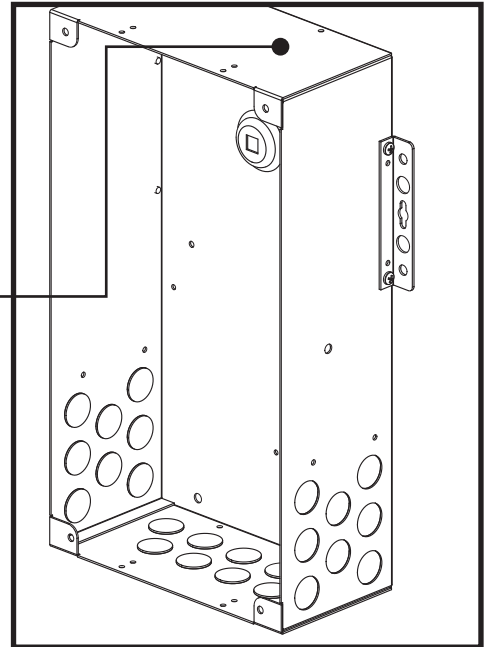
ENLIGHTENED THINKING™

# QT Installation Instructions

## QTMS Housing Mounting

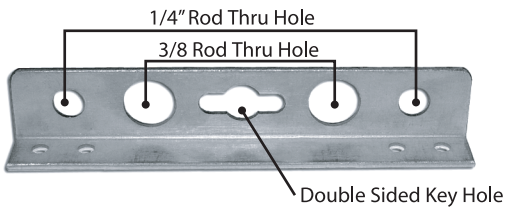


Surface Mount ( Horizontal )

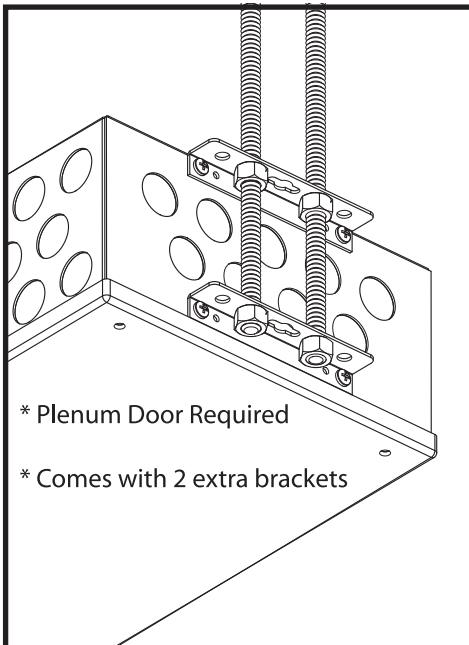
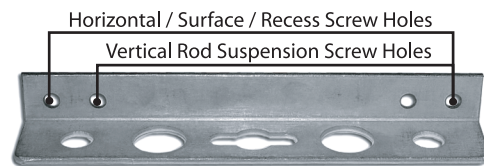


Surface Mount ( Vertical )

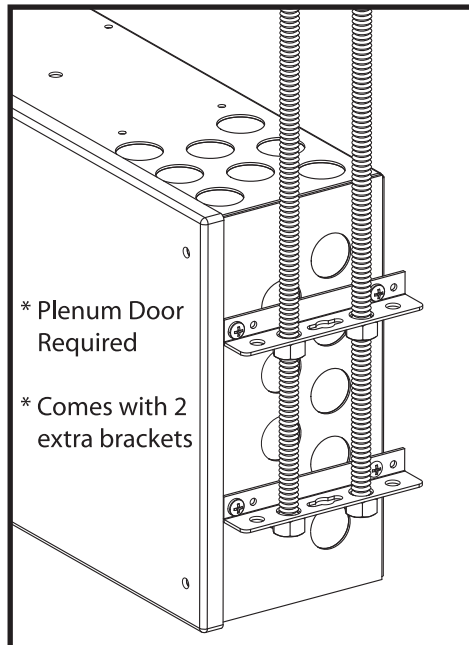
**This face of bracket mounts to: Stud, Wall, or Rod**



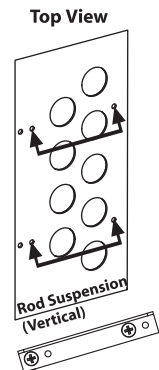
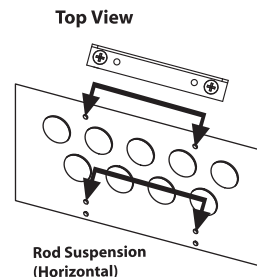
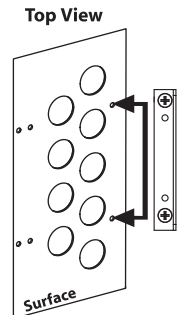
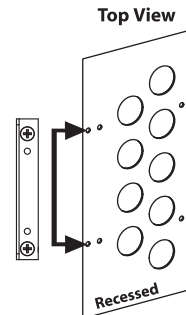
**This face of bracket mounts to: Housing**



Rod Suspension ( Horizontal )



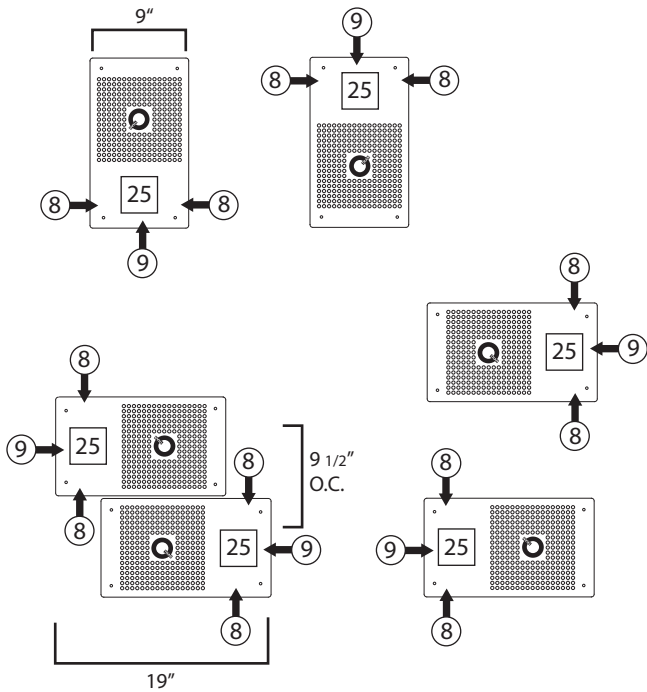
Rod Suspension ( Vertical )



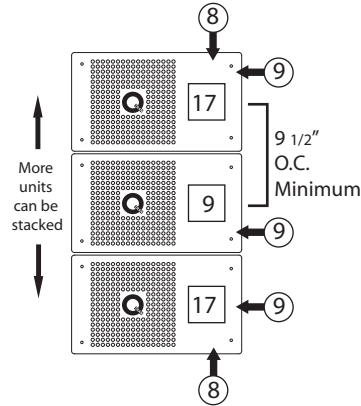
## QTMS Housing Mounting

### Surface Wall

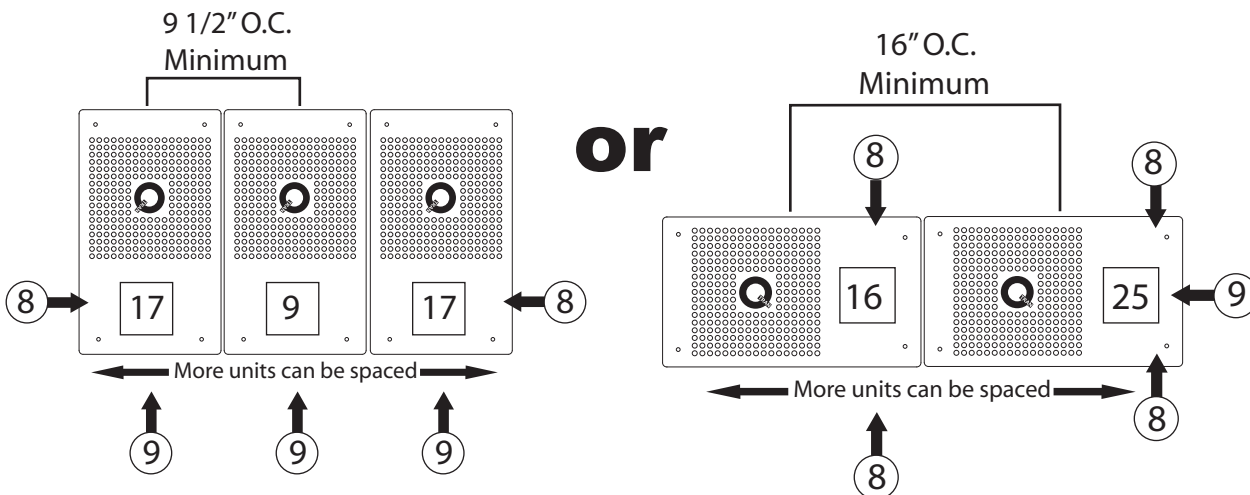
**Note: Surface Mounting can be done on six different planes.**



### Surface Stacking



### Surface Spacing



**Note: knockouts are located where ← # are shown.**

← # = Number of available Knockouts per side

# = Total number of available Knockouts per unit