

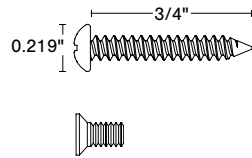
INSTALLATION

Accessories - Pivot Bracket



Included Hardware

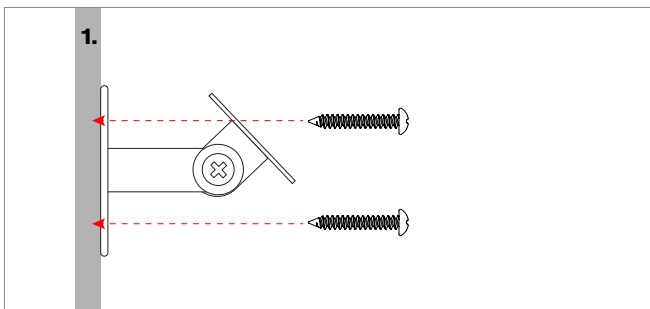
- #4x3/4 Pan Head Screw
- #4-40x3/16 Flat Head Screw



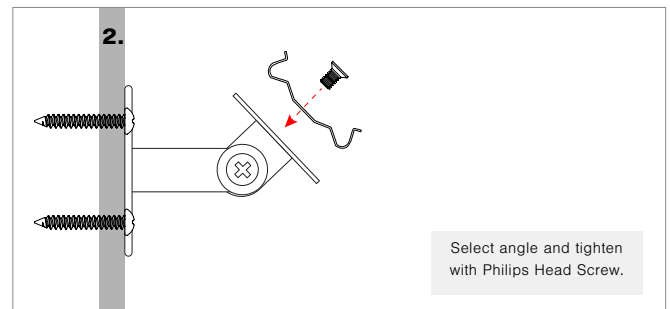
Required Hardware Tools:

- Drill
- Screwdriver

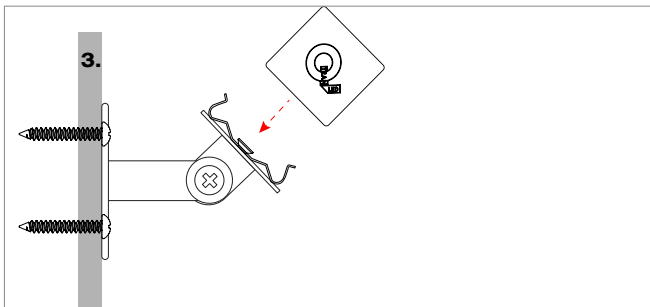
Mounting



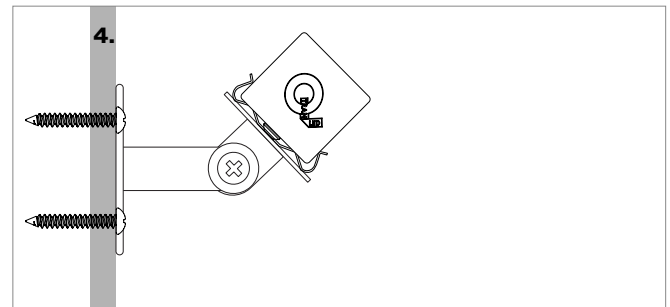
Mount Q-Pivot to surface.



Mount your mounting clip with included screw.



Attach Extrusion or Fixture into the clip.



Finished product.

