

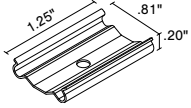
# INSTALLATION

EXTRUSION - LALO

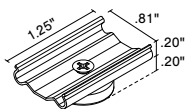


**Mounting** NOTE: 2 clips provided for 4' or less;  
4 clips provided for greater than 4'

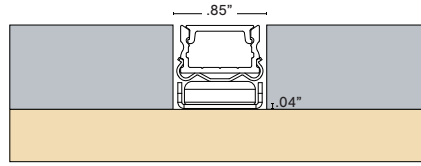
Stainless Steel Clip (SST-01)



Magnet Clip (MG-01)

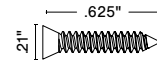


## MG Millwork Info

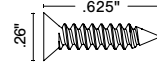


NOTE: Height of millwork will be dependent on overall height with the MG clip in addition to the thickness of the magnet mount accessory

## HARDWARE

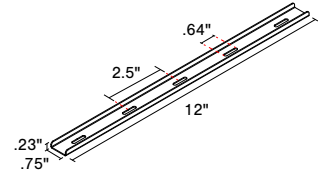


#4x5/8" Flat head screw (Included)



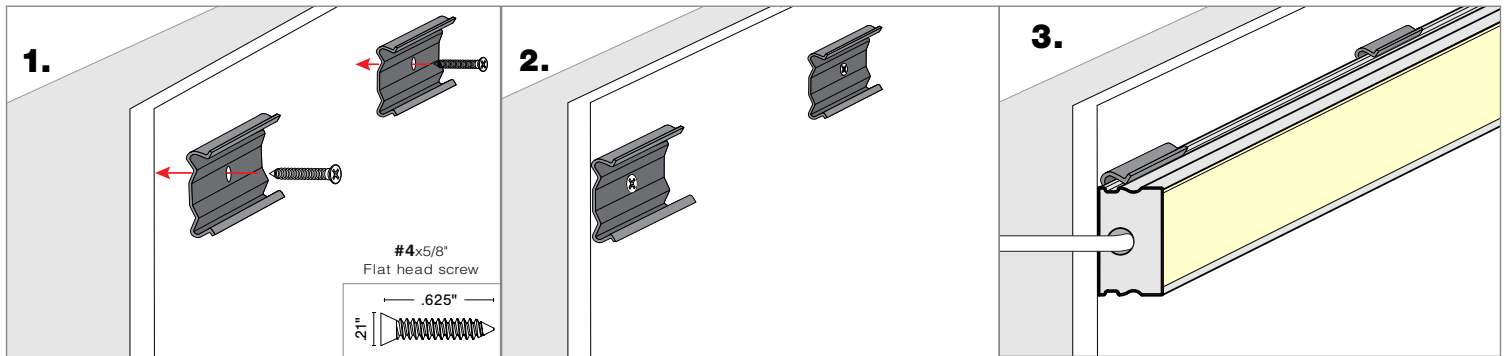
#6x5/8" Flat head screw (Included)

Magnet Mount Accessory (MMA)

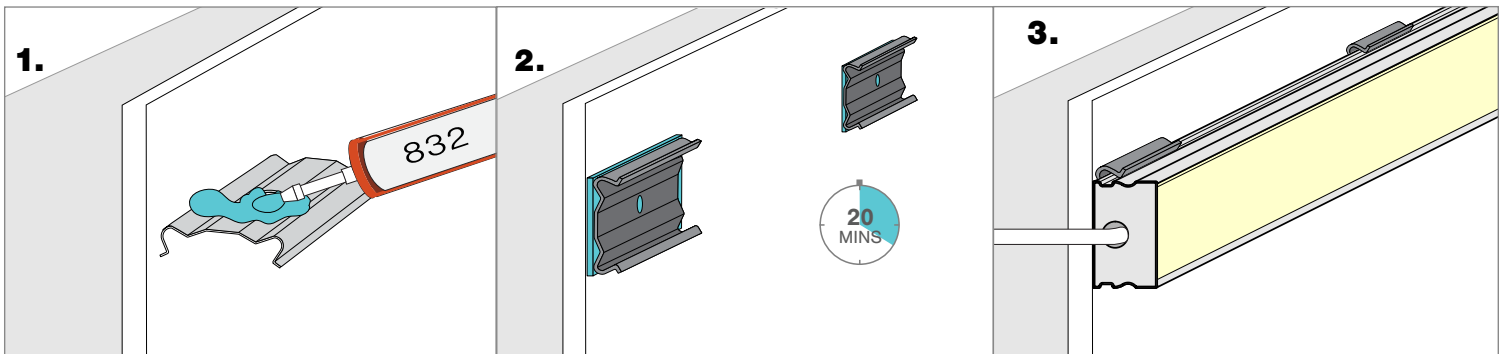


(Sold separately)

## Screw Mounting

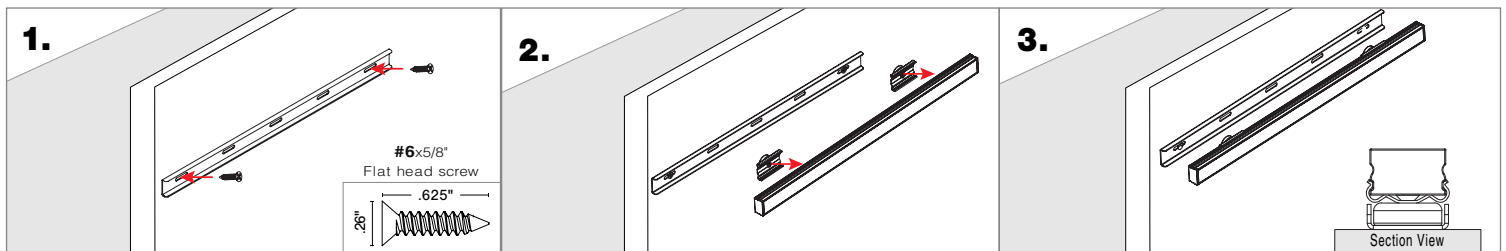


## 832 Silicone Mounting



NOTE: Apply silicone in a well ventilated area. 832 silicone is sold with caulking gun. Do not use in any submersible applications.

## Magnet Mounting



Using the #6 Flat head screws, mount two screws into the 12" magnet bracket through the slotted holes at each end

Attach the magnet clips onto the extrusion

Connect the assembled extrusion and its magnet clips to the magnet bracket, the install should match the section view

NOTE: The magnet clips should be offset to the flat heads used to secure the bracket, to maximize magnetic connection.

NOTES: • Field modifications must comply with Q-Tran's installation methods otherwise warranty is null and void