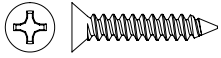


# INSTALLATION

EXTRUSION - OPTI



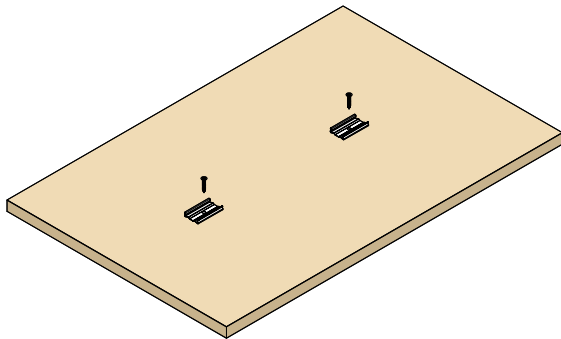
## SCREW FOR CONCEALED CLIP



#4 x 5/8" flat head screw

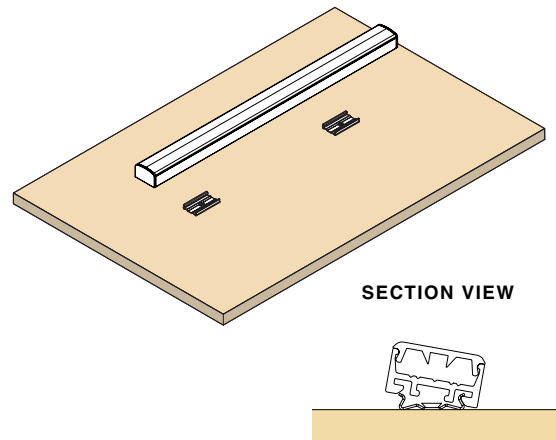
## CONCEALED CLIP INSTALL

- 1 Using the #4 x 5/8" flat head screw, mount the concealed clip. The first and last clip should be placed 4" in from each end of the OPTI.



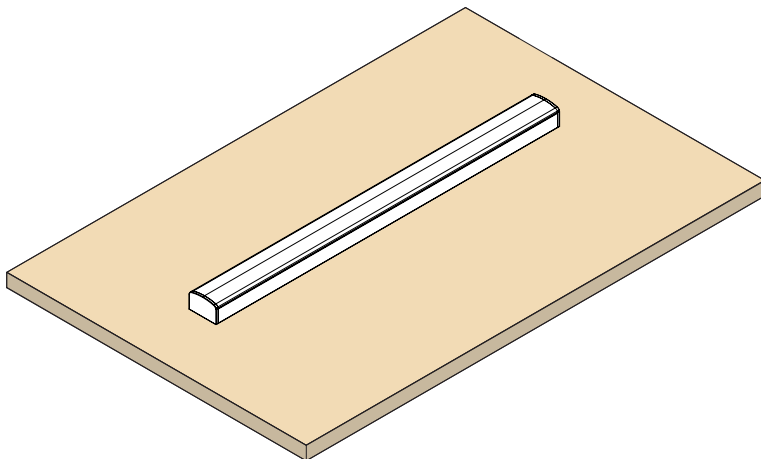
**NOTE:** 2 clips provided for 4' or less;  
4 clips provided for greater than 4'

- 2 Mount the OPTI fixture by snapping onto the concealed clips.



**NOTE:** The OPTI is securely connected with the concealed clip by tilting the extrusion onto the clip.

## ASSEMBLED



**NOTES:** • Field modifications must comply with Q-Tran's installation methods otherwise warranty is null and void

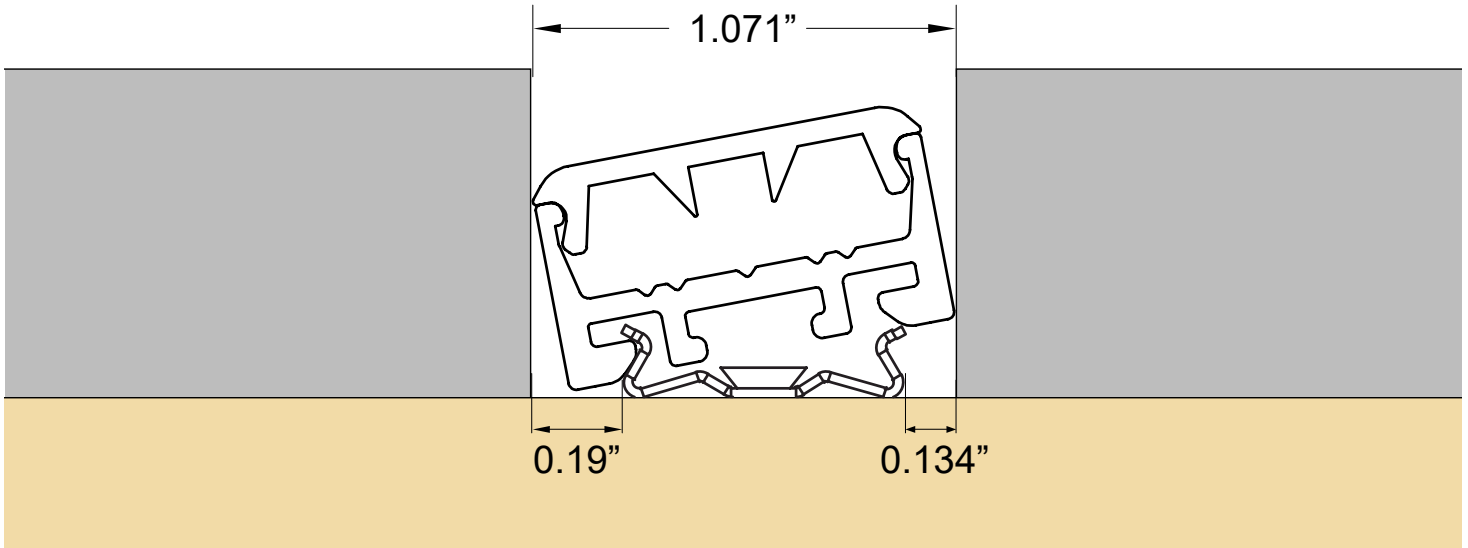
# INSTALLATION

EXTRUSION - OPTI



## CONCEALED CLIP INSTALL

The OPTI requires a cut out that is at least 1.071" to be recessed. The clip must be placed with 0.19" of space on the wider side.



### NOTE:

- Height of millwork for recessed OPTI should be based off the product specific dimensions found on the cutsheet.
- The OPTI is securely connected with the concealed clip by tilting the extrusion onto the clip.

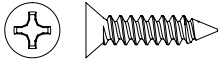
**NOTES:** • Field modifications must comply with Q-Tran's installation methods otherwise warranty is null and void

# INSTALLATION

EXTRUSION - OPTI



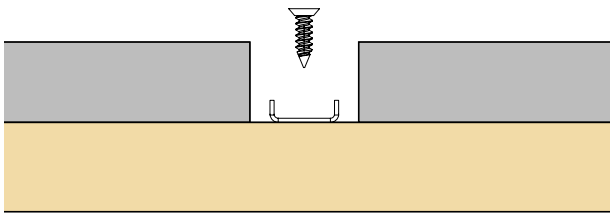
## SCREW FOR MAGNETIC MOUNT ACCESSORY



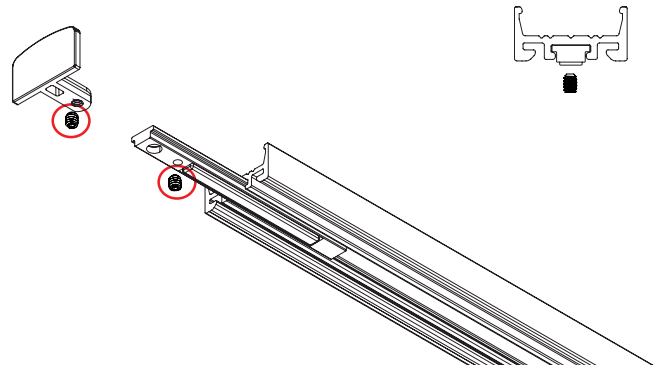
#6 flat head screw  
(x2)

## MAGNET INSTALL

- 1 Using the #6 flat head screws, mount two (2) screws into the 12" magnet mount accessory through the slotted holes at each end.

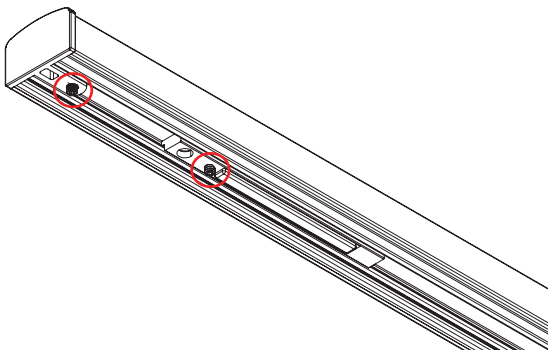


- 2 Unscrew the OPTI endcap using the supplied allen key, and slide in the magnet clips.



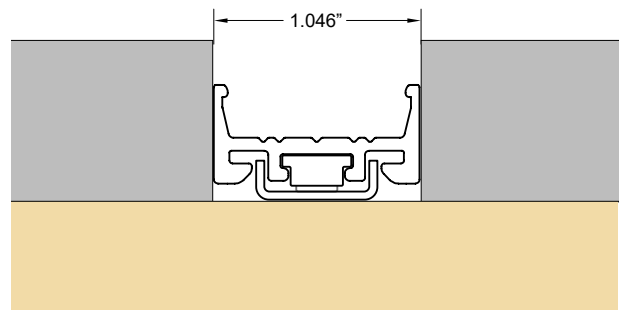
**NOTE:** 1 magnet clip needed per foot.

- 3 Using the supplied set screws fasten the endcap that was removed, and secure the magnet clips into your desired location.



- 4 Drop the assembled OPTI fixture into the mounted magnet mount accessory, the mount accessory should sit within the extrusion as pictured below.

### SECTION VIEW



**NOTE:** The magnet clips should be offset to the flat heads used to secure the bracket, to maximize magnetic connection.

**NOTES:** • Field modifications must comply with Q-Tran's installation methods otherwise warranty is null and void

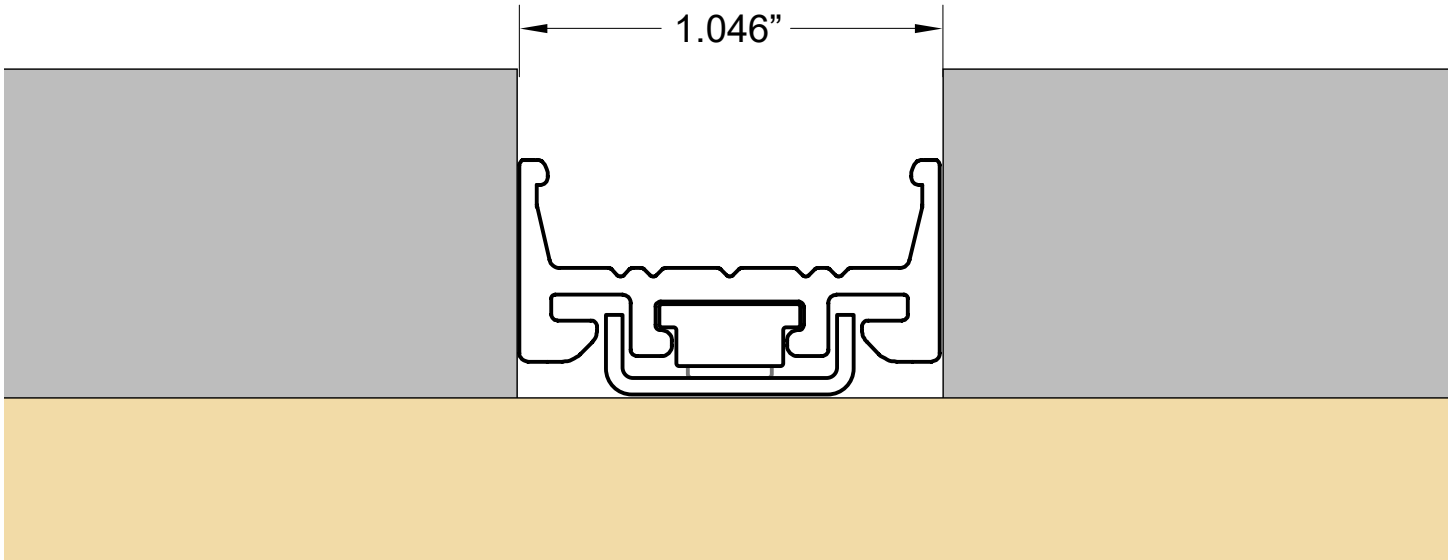
# INSTALLATION

EXTRUSION - OPTI

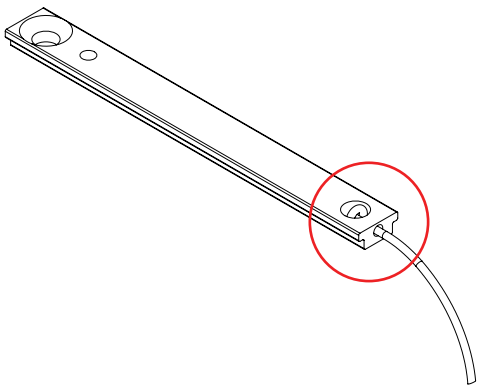


## MAGNET INSTALL

The OPTI magnet install requires a 1.046" cut out to be recessed.  
(The magnet bracket should be centered in the millwork)



**NOTE:** Height of millwork for recessed OPTI should be based off the product specific dimensions found on the cutsheet.



**NOTE:** For magnet installations requiring seismic precautions, monofilament may be used with magnet clip as pictured above.

**NOTES:** • Field modifications must comply with Q-Tran's installation methods otherwise warranty is null and void