

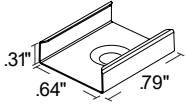
INSTALLATION

EXTRUSION - SLIM

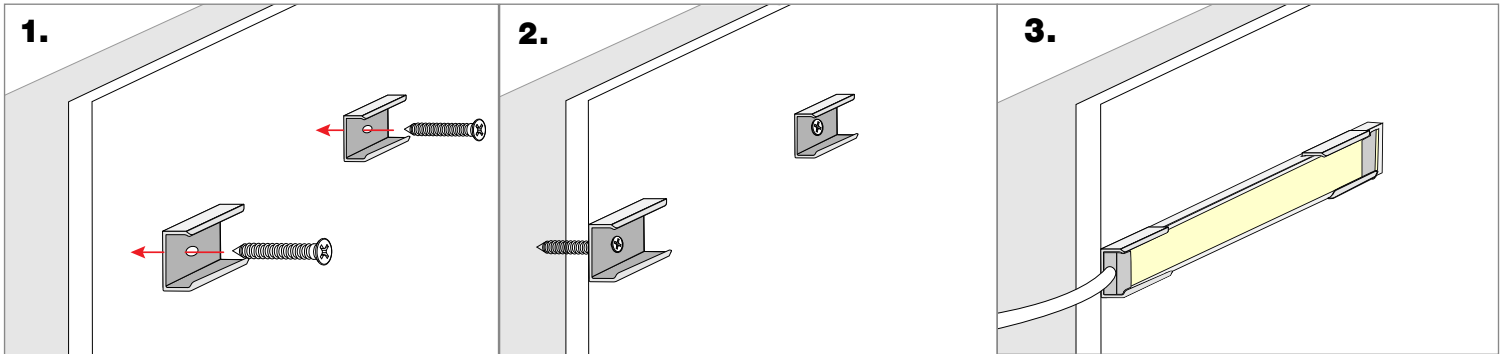


Mounting NOTE: 2 clips provided for 4' or less;
4 clips provided for greater than 4'

Stainless Steel Clip
(SST-06)

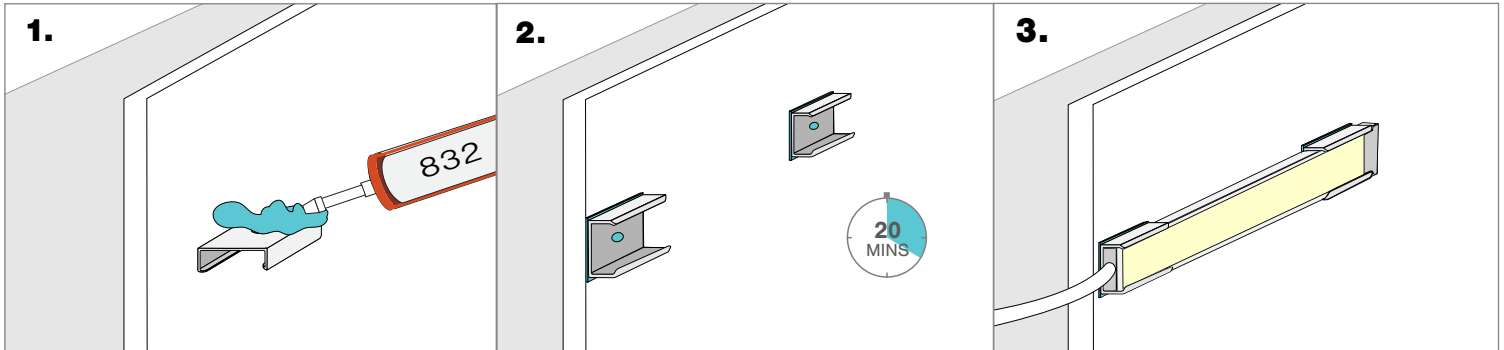


Screw Mounting



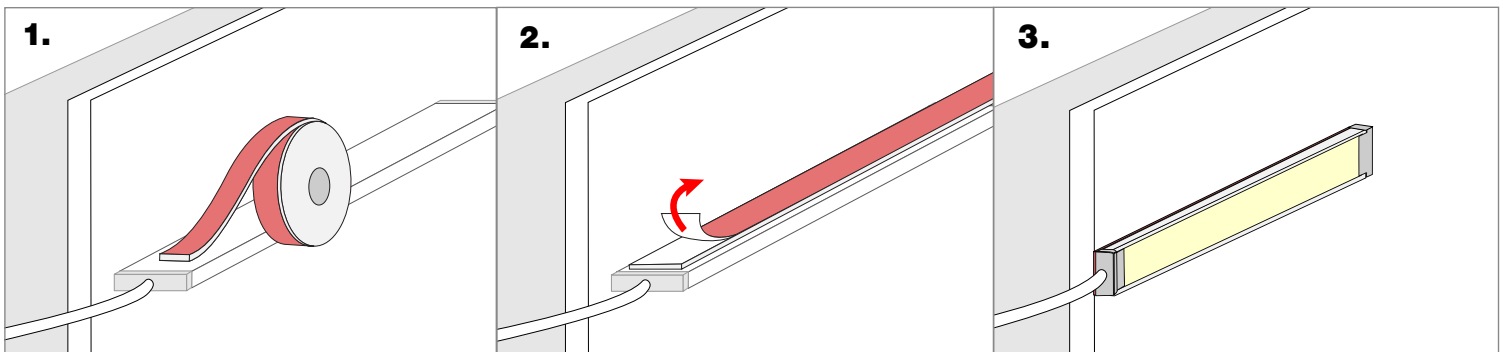
NOTE: Fixture must slide onto clips, not snap on.

832 Silicone Mounting



NOTE: Fixture must slide onto clips, not snap on. 832 Silicone use in a well-ventilated area, 832 Silicone sold with Caulking gun. Do not use in any submersible applications.

VHB Mounting



NOTES: • Field modifications must comply with Q-Tran's installation methods otherwise warranty is null and void