

# INSTALLATION

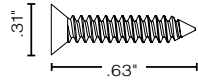
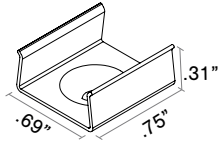
## Q-CAP Flexible Fixtures: BOXA



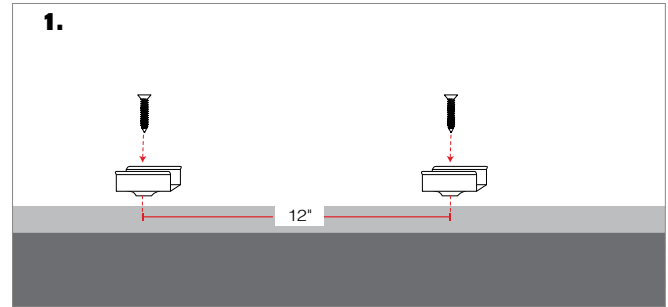
### WHITE SNUG CLIP SMALL

**NOTE:** White snug clip should be placed every 12"

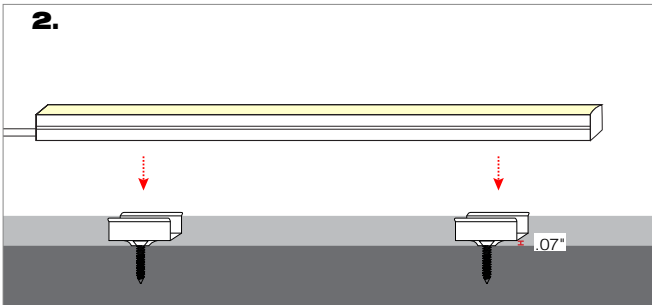
#### INCLUDED HARDWARE



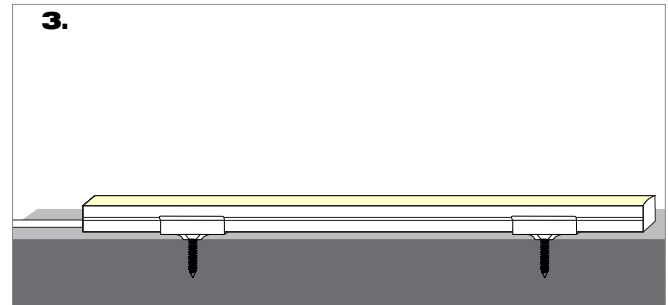
#6x5/8" Flat head screw



Mount white snug clip with provided flat head screw.



Align fixture to white snug clips matching distances.

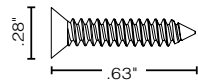
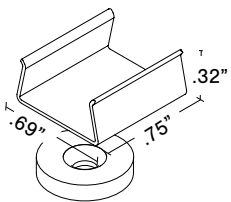


Press fixture into white snug clips.

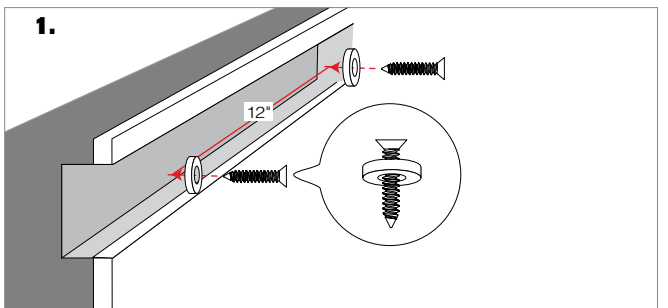
### MAGNETIC CLIP SMALL

**NOTE:** Magnetic clip should be placed every 12"

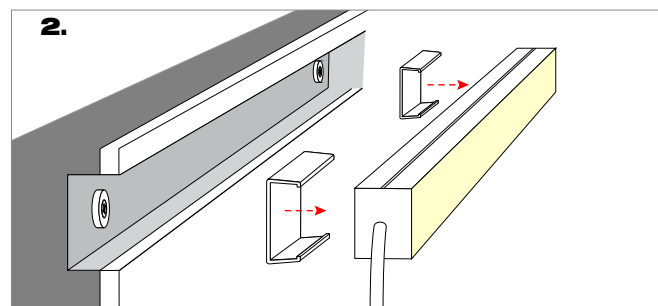
#### INCLUDED HARDWARE



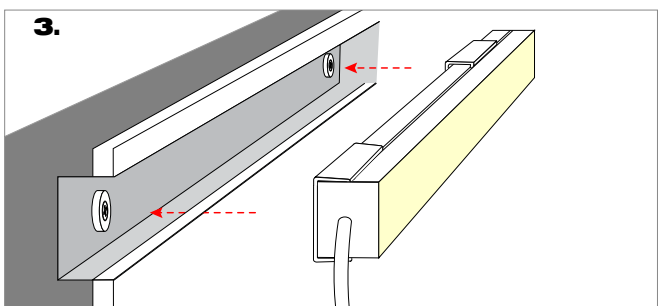
#6x5/8" Flat head screw



Install magnet rings with provided flat head screw.



Attach clips to fixture matching magnet distances.



Align and snap fixture to magnetic rings.