

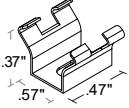
# INSTALLATION

## Linear Fixtures - ROND

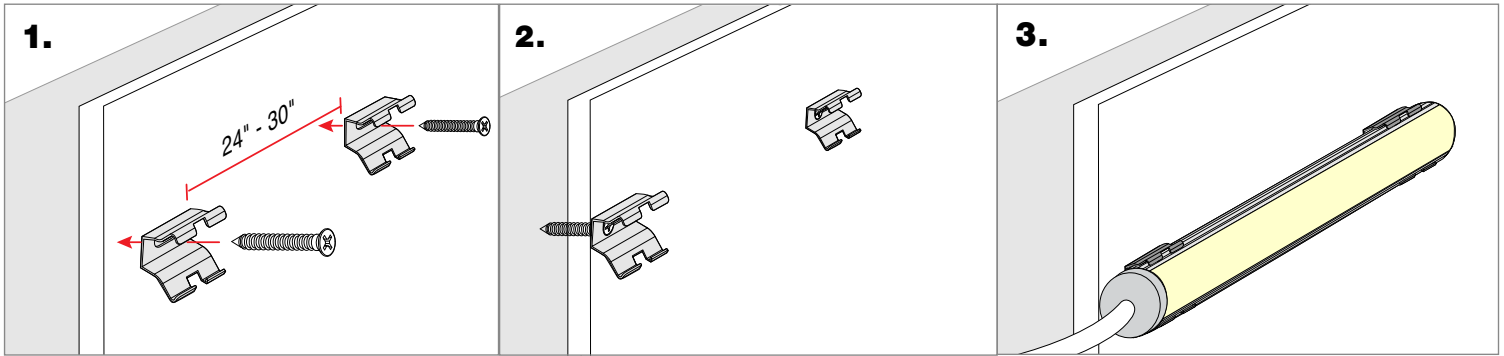


**Mounting** NOTE: 2 clips provided for 4' or less;  
4 clips provided for greater than 4'

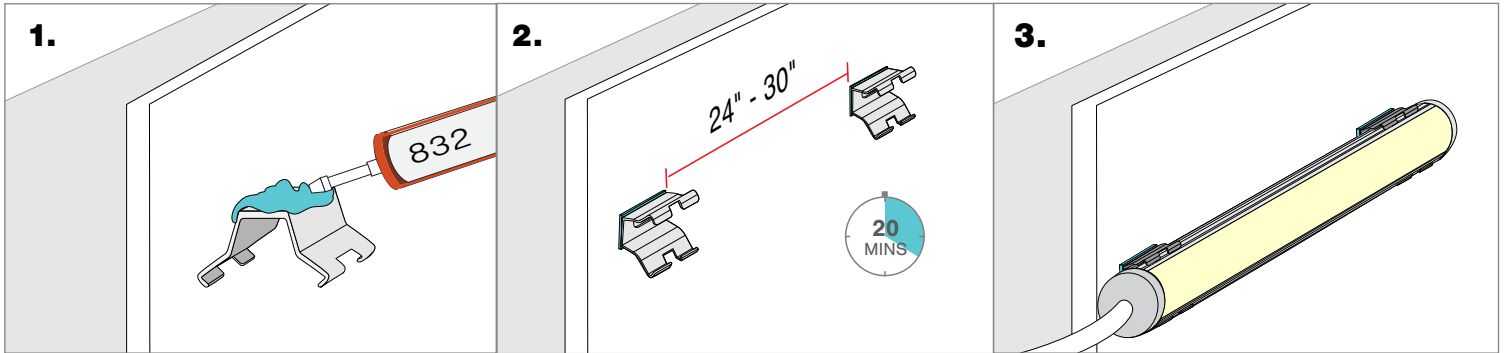
Stainless Steel Clip  
(SST-07)



### Screw Mounting



### 832 Silicone Mounting



**NOTE:** 832 Silicone use in a well-ventilated area, 832 Silicone sold with Caulking gun. Do not use in any submersible applications.

**NOTES:** • Field modifications must comply with Q-Tran's installation methods otherwise warranty is null and void