

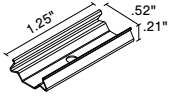
INSTALLATION

TILT - MICRO 5 SERIES

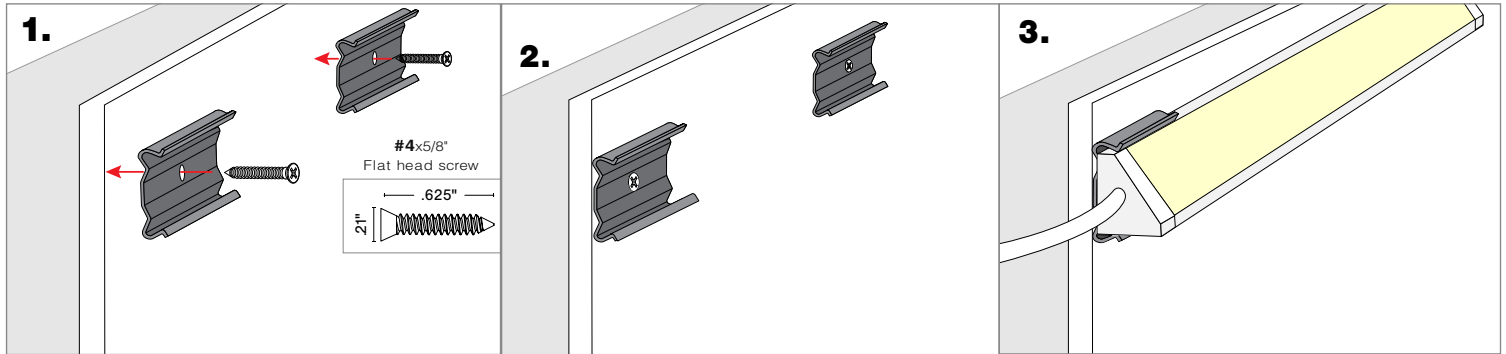


Mounting NOTE: 2 clips provided for 4' or less;
4 clips provided for greater than 4'

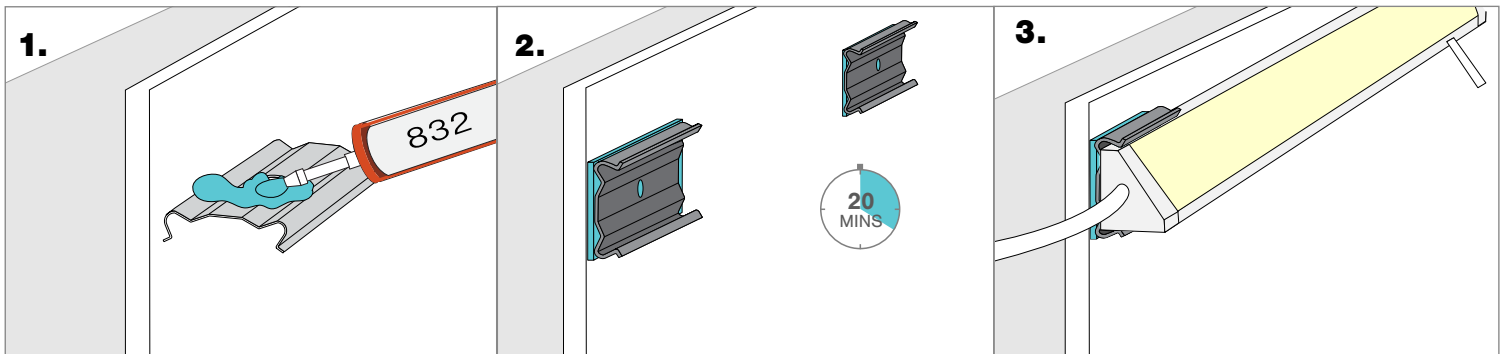
Stainless Steel Clip
(SST-08)



Screw Mounting

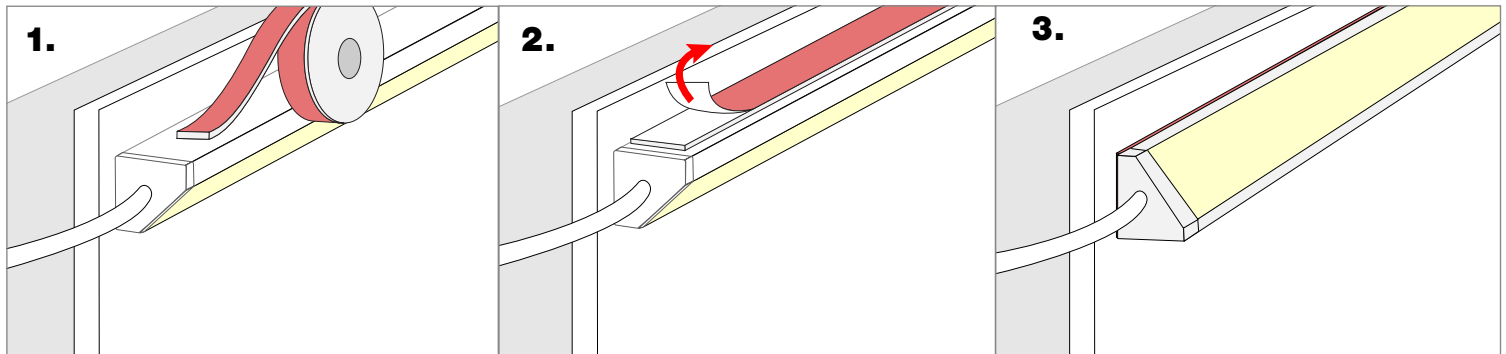


832 Silicone Mounting



NOTE: Apply silicone in a well ventilated area. 832 silicone is sold with caulk gun. Do not use in any submersible applications.

VHB Mounting



NOTE:

- TILT can be installed with lens orientation facing up or down
- Field modifications must comply with Q-Tran's installation methods otherwise warranty is null and void