

INSTALLATION LED POWER SUPPLY - Q6M-DC+CAP



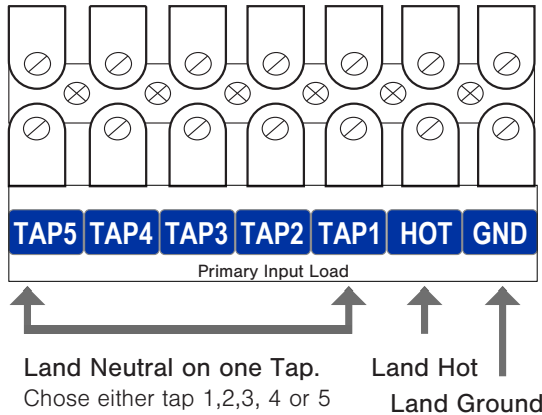
Primary Circuit Protection

- Primary Magnetic Circuit Breaker
- Primary Autotset Thermal Protector

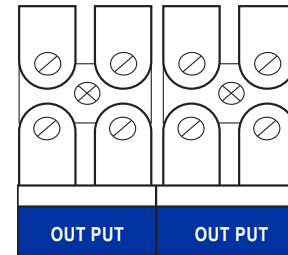
Secondary Circuit Protection

- Magnetic Circuit Breakers: 2
- Amps: 2.5A, 4A, 5A

PRIMARY (Line Voltage)



SECONDARY (Low Voltage)



NOTE: Primary Input - connect the 120V hot into block labeled Hot. Connect the neutral wire into Tap 1 - Tap 5 depending on desired output voltage. (Not to exceed 12V or 24V)

Label

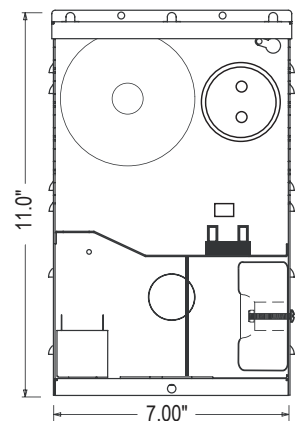
Q6S-DC & Q6M-DC+CAP	INPUT VOLTAGE			OUTPUT VOLTAGE	
	<input type="radio"/> 120V	<input type="radio"/> 277V		<input type="radio"/> 12V	<input type="radio"/> 24V
Model #	Voltage (V)	Current (A)	Frequency (Hz)	Voltage (V)	Wattage (W)
<input type="radio"/> Q6S-40DC	120 / 277	0.3	50/60	12/24	40
<input type="radio"/> Q6S-60DC	120 / 277	0.9	50/60	12/24	60
<input type="radio"/> Q6S-120DC	120 / 277	1.8	50/60	12/24	120
<input type="radio"/> Q6S-100DC	120 / 277	1.4	50/60	24	100
<input type="radio"/> Q6S-200DC	120 / 277	2.3	50/60	24	200
<input type="radio"/> Q6M-60DC+CAP	120 / 277	0.9	50/60	12/24	60
<input type="radio"/> Q6M-100DC+CAP	120 / 277	1.4	50/60	24	100

- SUITABLE FOR DAMP LOCATIONS
CONVIENT AUX EMPLACEMENTS HUMIDE
- SURFACE MOUNT ANY POSITION
- LOW VOLTAGE LED LIGHTING
POWER SUPPLY CENTER
- FOR SUPPLY CONNECTIONS USE
WIRE RATED FOR AT LEAST 75°C (167°F)
LES FILS D'ALIMENTATION 75°C MIN
- DIMMER, IF USED, MUST BE MAGNETIC LOW
VOLTAGE DIMMER
- MADE IN THE U.S.A

This product must be installed in accordance with the applicable installation code by a person familiar with the construction and operation of the product and the hazards involved.

LOW VOLTAGE LIGHTING SYSTEM
Q-Tran, Inc.
CLASS: 3425 - 15
3425 - 95
MILFORD, CT U.S.A.
(203) 367-8777
WWW.Q-TRAN.COM

CE PRODUIT DOIT ÊTRE INSTALLÉ SELON LE CODE D'INSTALLATION PERTINENT, PAR UNE PERSONNE QUI CONNAÎT BIEN LE PRODUIT ET SON FONCTIONNEMENT AINSI QUE LES RISQUES INHÉRENTS.



NOTE: All wiring to be Class I per National Electric Code (NEC). These installation instructions are intended for use with low voltage lighting. If you are installing the Q-Tran Q6 unit with a non-lighting system (ex. heated doors, audio systems, etc.), call the manufacturer of the system directly before installing.

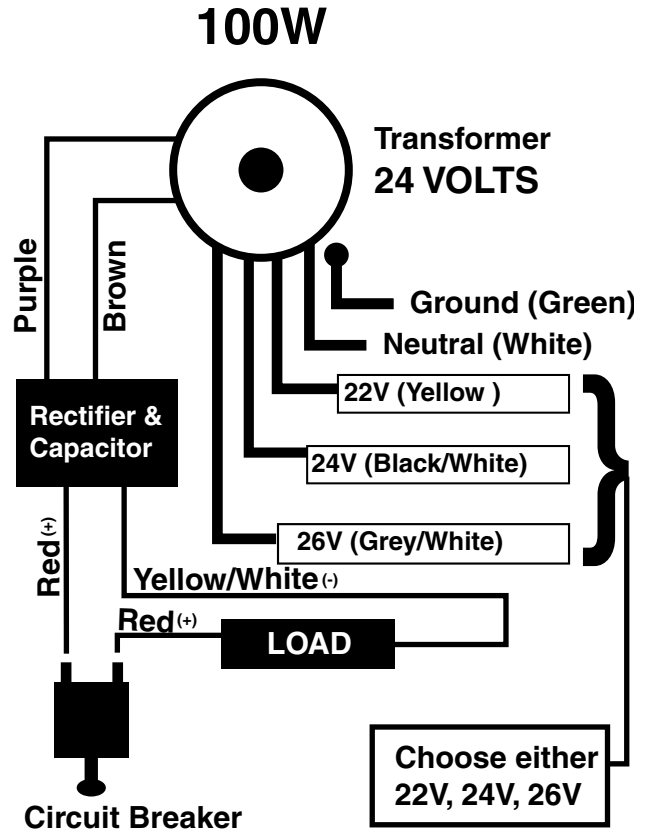
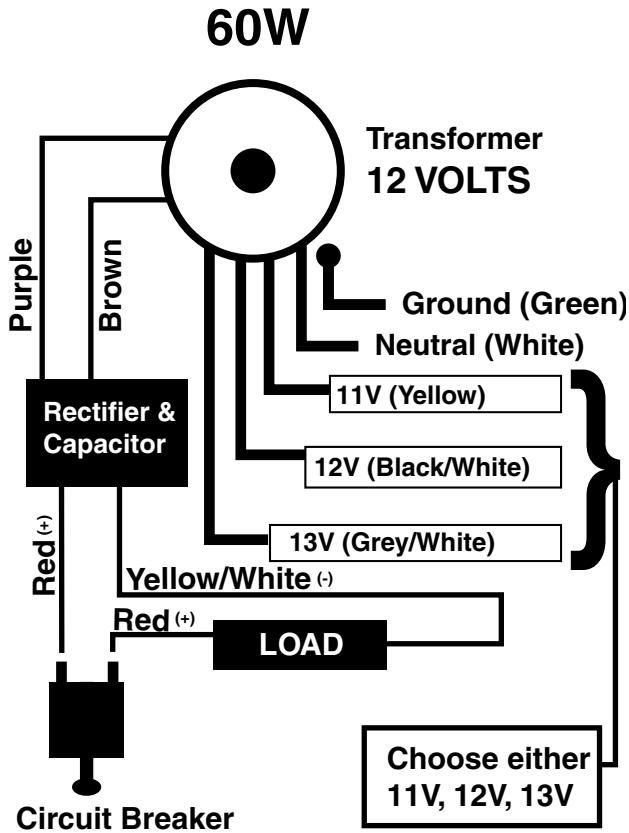


INSTALLATION

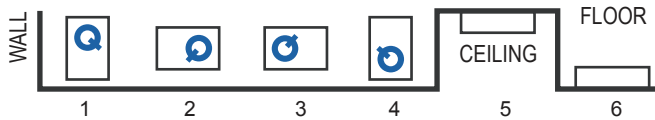
LED POWER SUPPLY - Q6M-DC+CAP



Wiring Diagram



Mounting: 6 plane surface mount



NOTE: Rods not included.

Low Voltage Lighting Power Supply

- For indoor use only
- Surface mount any position
- Suitable for damp locations
- Type IC recessed, inherently protected
- For supply connections use wire rated for at least 90°C
- Dimmer, if used, must be magnetic low voltage dimmer
- Certified to Standards ANSI/UL 2108
- Use dimmers rated for magnetic low voltage load
- Made in the U.S.A