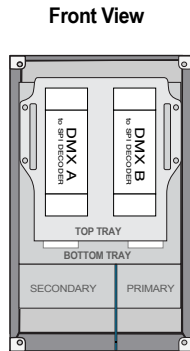


INSTALLATION LED POWER SUPPLY - QOM-eLED+IA

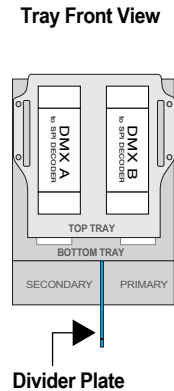
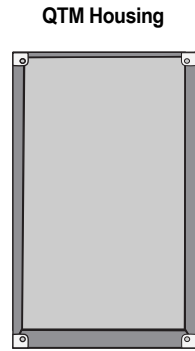


Divider Fit

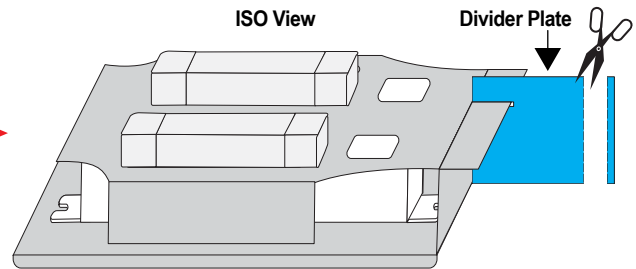
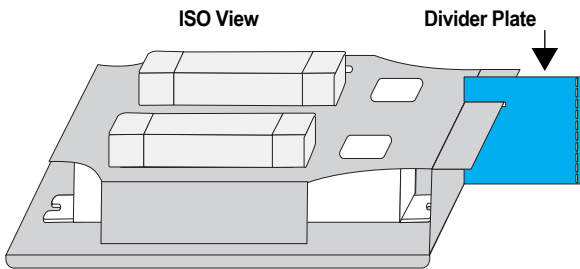
1. Standard QTM-ELED power supply.



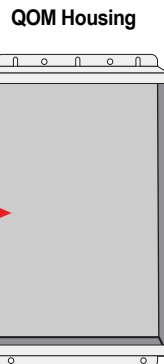
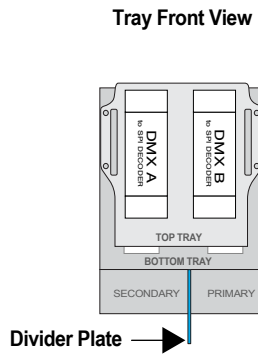
2. Remove power tray from housing. Unscrew from 4 locations.



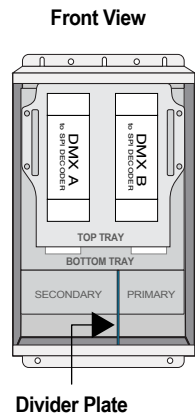
3. To fit the QTM in the QOM housing, the divider plate must be modified. Cut the divider plate with metal shears along the perforated line.



4. The modified power tray will fit in the QOM housing.



5. Screw tray to housing in 4 locations.



- For QOM to QTM no modification is required. Uninstall QOM power tray and install in QTM housing.

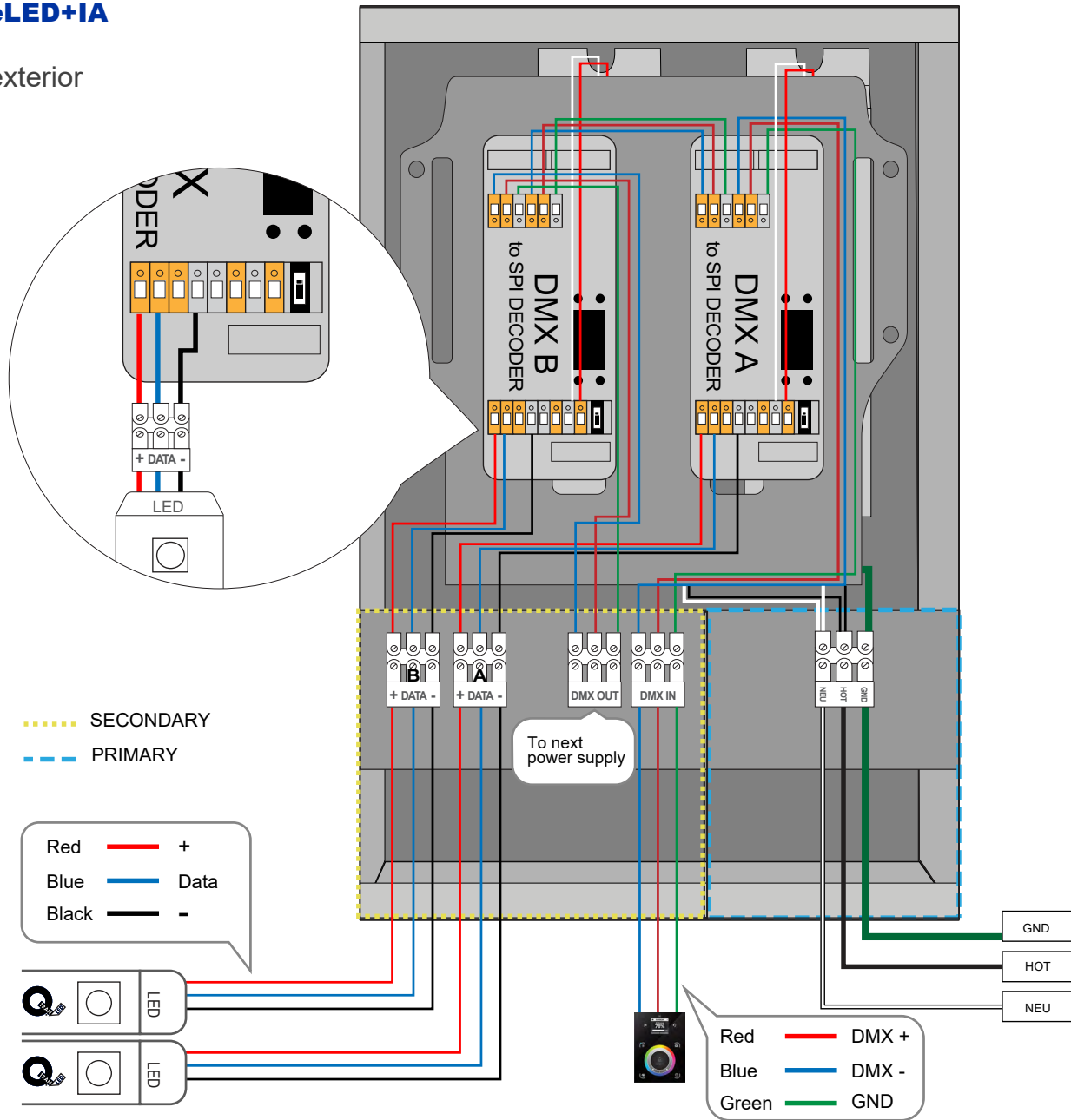
INSTALLATION

LED POWER SUPPLY - QOM-eLED+IA



QOM-eLED+IA

: for exterior



NOTE:

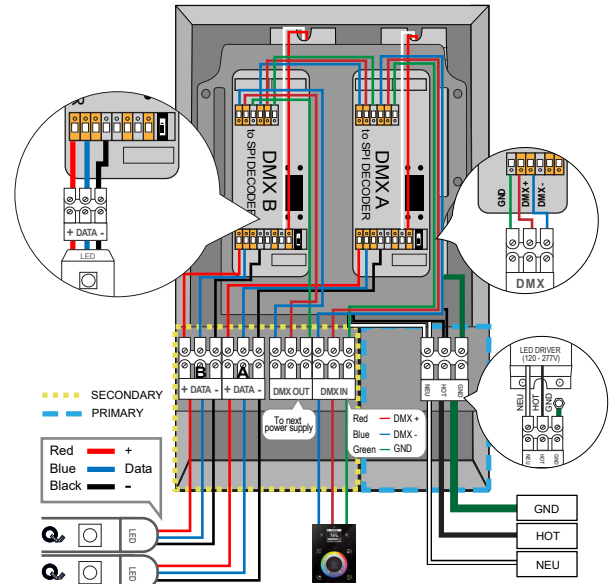
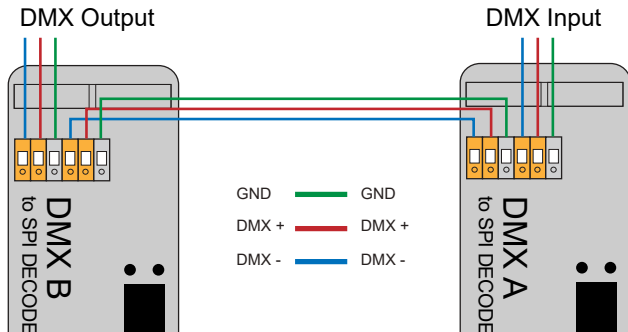
- DMX Shield must be grounded to earth ground at a single point external to power supply.
- Separate DMX universe per decoder configuration available upon request.

INSTALLATION

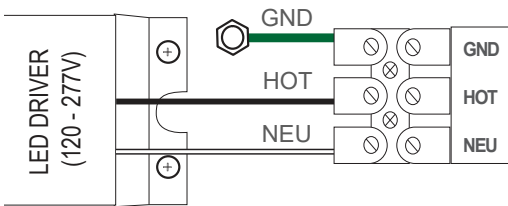
LED POWER SUPPLY - QOM-eLED+IA



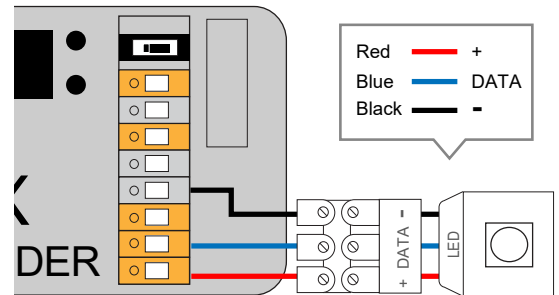
Connecting And Configuring the DMX-to-SPI decoder



Primary Wiring

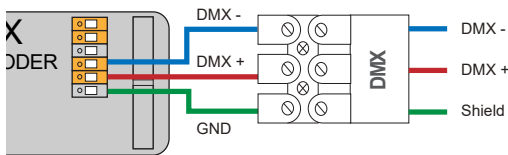


Wiring



Control Wiring

DMX connections



NOTE: DMX Shield must be grounded to Earth Ground at a single point external to power supply



WARNING: Risk of electrical shock. May result in serious injury or death. Disconnect power before servicing or installing.

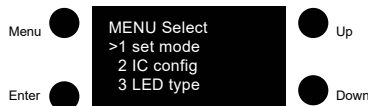
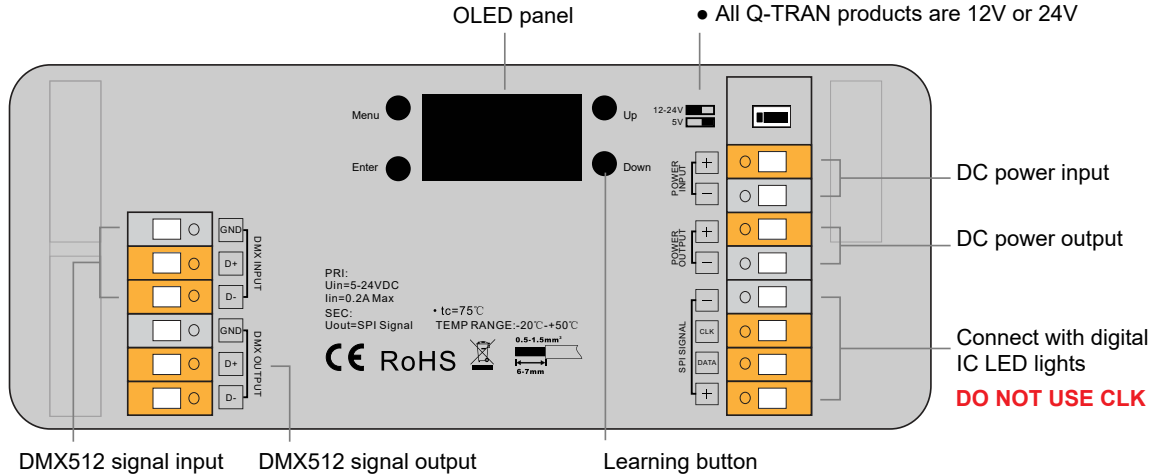


CAUTION: The device may only be connected and installed by a qualified electrician. All applicable regulations, legislation and building codes must be observed. Incorrect installation of the device can cause irreparable damage to the device and the connected LEDs.

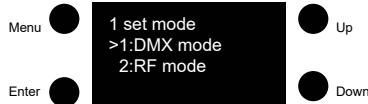
INSTALLATION LED POWER SUPPLY - QOM-eLED+IA



- Please check the operation voltage of LED strip and confirm the input voltage
- Do not change while powered
- All Q-TRAN products are 12V or 24V



There are four buttons for configuration of settings with the OLED display: "Menu," "Enter," "Up" and "Down." Click "Menu" button to enter the menu selection interface, and keep clicking "Up" and "Down" buttons you will get 5 settings one by one as follows:



1. Set mode: to select an operation mode, click "Enter" button to enter the configuration interface, then click "Up" or "Down" buttons to choose DMX mode, click "Menu" button to confirm the setting and return to menu selection interface. **This setting should be in DMX mode for use with a DMX controller.**



2. IC config: to set driving IC type, click "Enter" button to enter the configuration interface, click "Up" and "Down" buttons to choose an IC type that drives your LED lights, click the "Menu" button to confirm and return to menu selection interface. Total 34 kinds of driving IC available. **This should be set to WS2811L for all Q-Tran IA Products**



3. LED type: to set RGB/RGBW color order, click the "Enter" button to enter the configuration interface, click "Up" and "Down" buttons to choose a color order, click the "Menu" button to confirm and return to menu selection interface. Total 7 kinds of color order available. **The LED type should be RGB for SWIA, and RGB IA, while it should be RGBW for RGBW IA or RGBA IA**



4. DMX address: to set DMX address under DMX mode, click the "Enter" button to enter the configuration interface, the cursor will be on the "hundreds" position of the start address, click the "Up" and "Down" buttons to change the number, click the "Enter" button to confirm and move the cursor to "tens" position and set, then "units" position, and then the end address, and click the "Menu" button to confirm the setting and return to menu selection interface. **Should be set based on the number of addresses needed. 000 to 511 would allow maximum length.**



5. Output length: to configure total output channels, click the "Enter" button to enter the configuration interface, the asterisk is on the "thousands" position, click the "Up" and "Down" buttons to change the number, click the "Enter" button to confirm and move the asterisk to "hundreds" position and set, then "tens" position and "units" position, and click the "Menu" button to confirm and return to menu selection interface. The SPI controller supports max. 3060 output channels. **This should be set to 3060 to max to allow for longest control.**