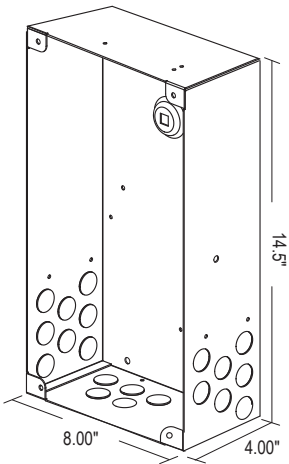


# INSTALLATION

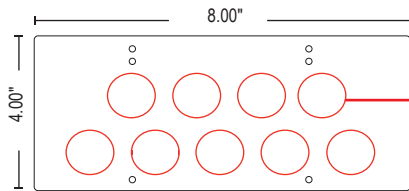
LED POWER SUPPLY - QTM-eLED



## Housing

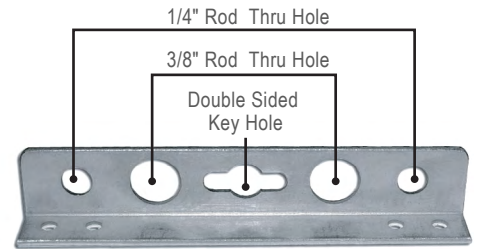


ISOMETRIC VIEW



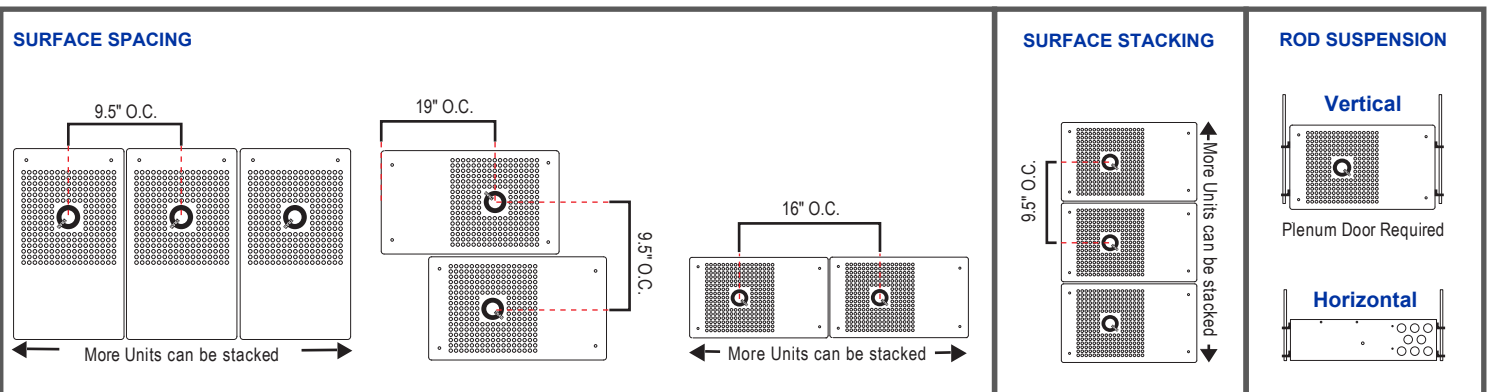
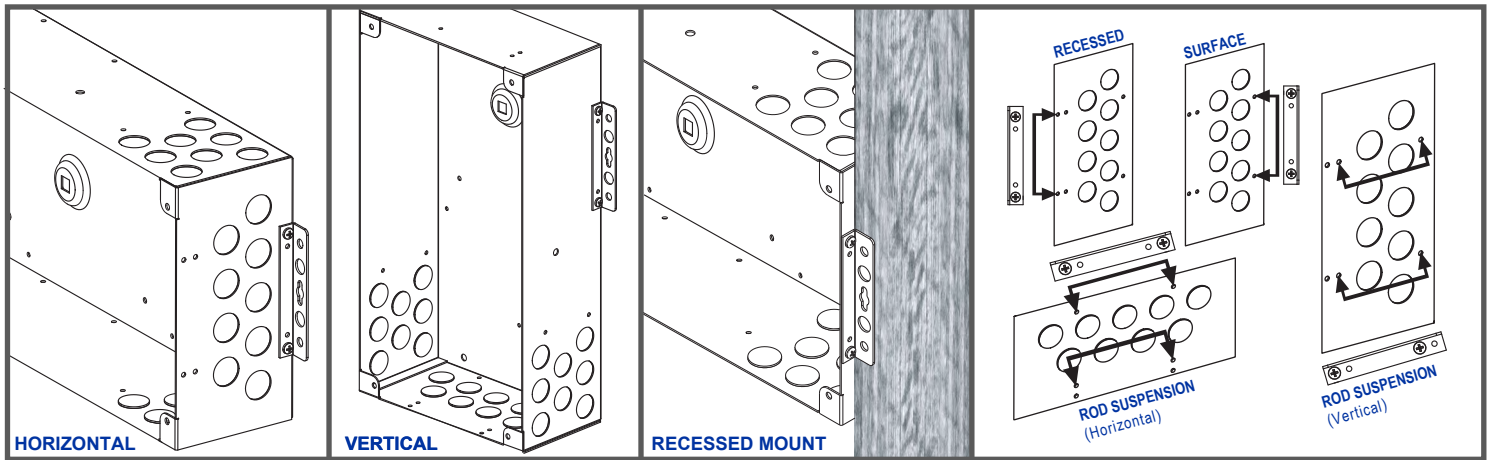
BOTTOM VIEW

0.875" KNOCKOUT 9X  
(FOR 1/2" FITTINGS)



NOTE: Bracket can also be mounted (Top & Bottom) for Vertical Mounts.

## Mounting Options



NOTE: Rods not included.

# INSTALLATION

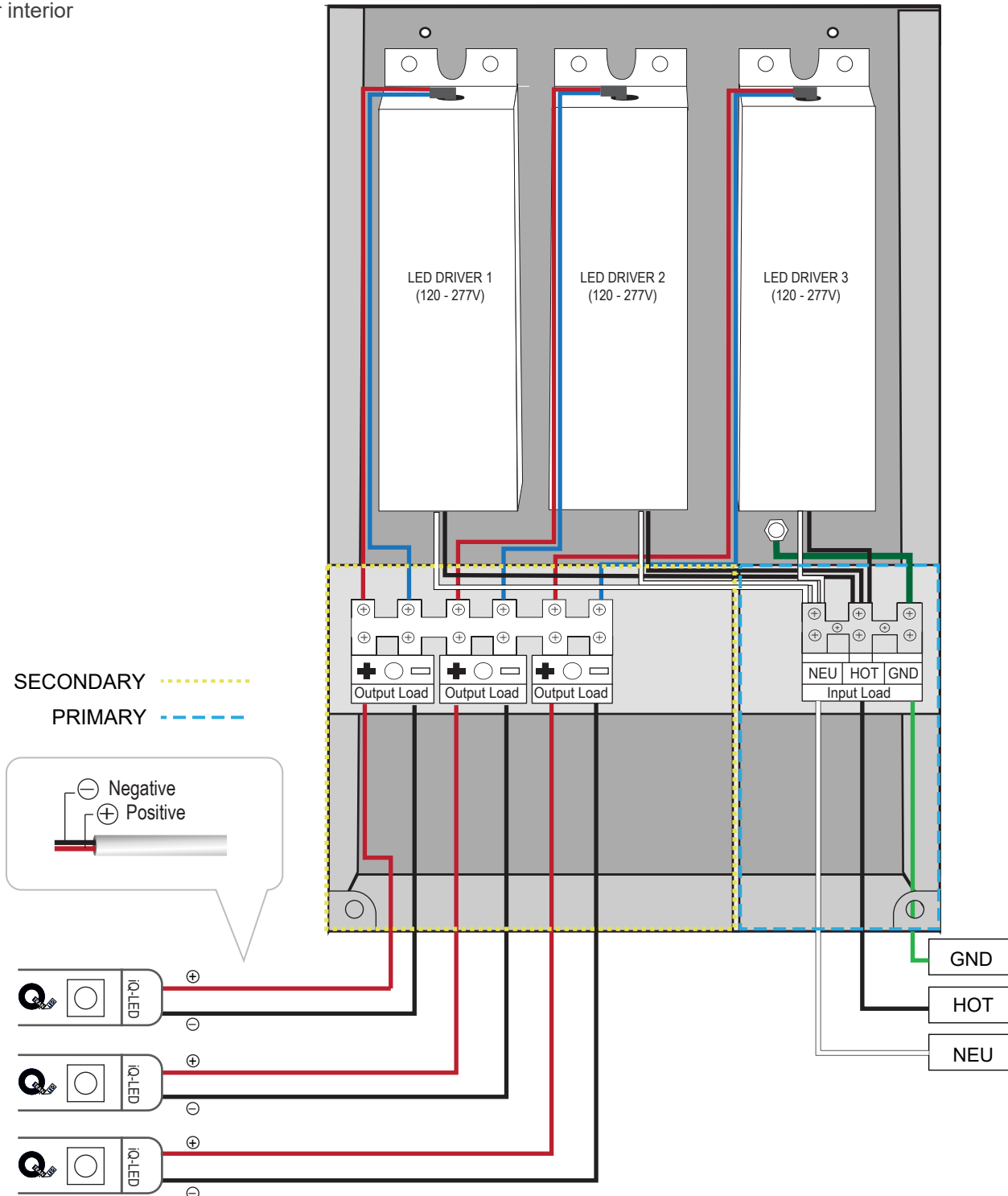
LED POWER SUPPLY - QTM-eLED



## Driver with no Dimming Module

### QTM-eLED

: for interior



# INSTALLATION

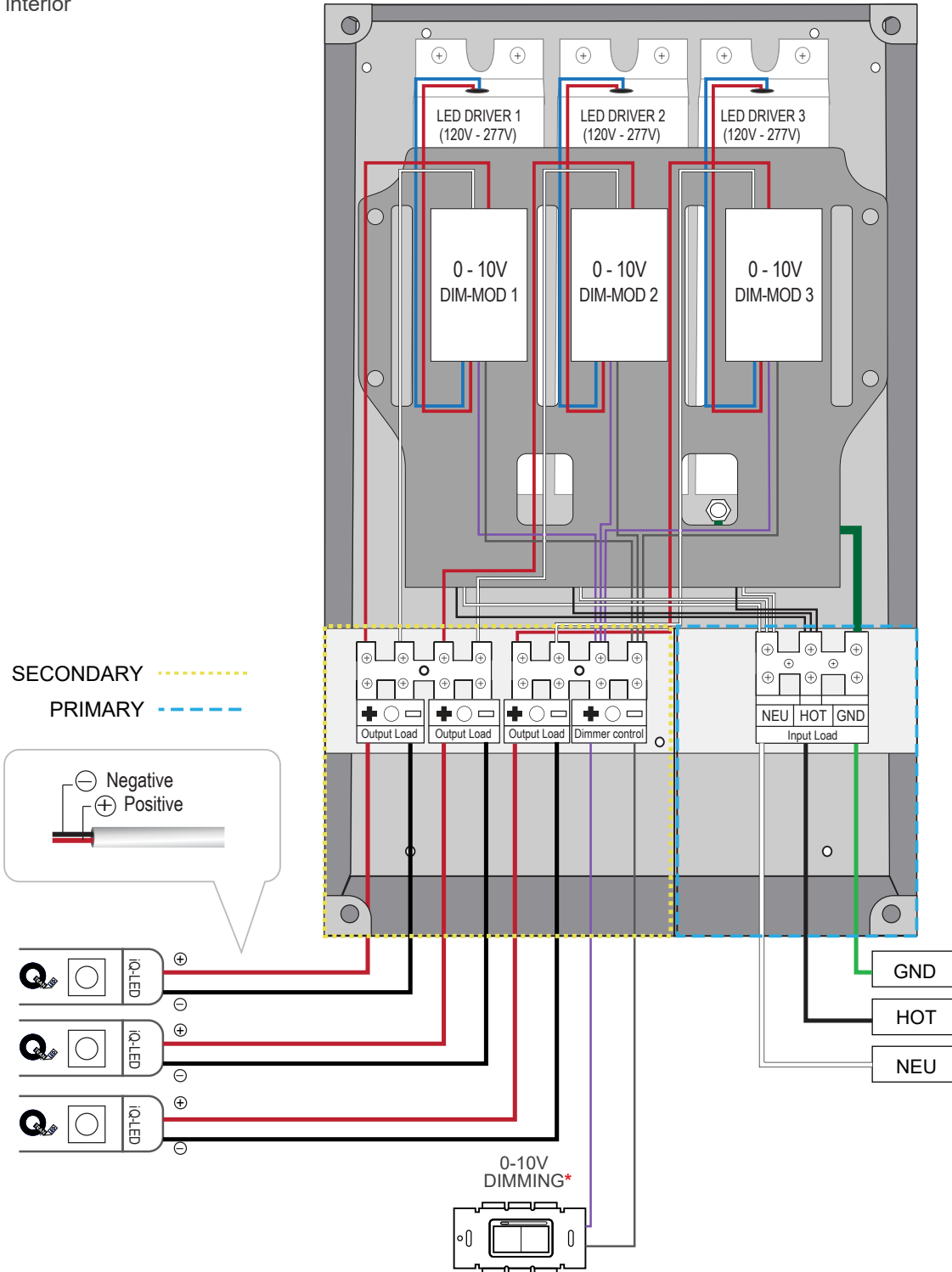
LED POWER SUPPLY - QTM-eLED



## Driver with Dimming Module

### QTM-eLED+0-10V

: for interior



\*Customer provided

# INSTALLATION

LED POWER SUPPLY - QTM-eLED



## CSA Requirements

- Suitable for Indoor use
- This power supply must be installed according to the National Electric Code and local codes and ordinances and in accordance with applicable installation code by a person familiar with the construction and operation of the product and the hazards involved.
- Wear rubber shoes and work on a sturdy wooden or fiberglass ladder.
- This power supply is to be installed in a location where it is not likely to be contacted by non-electricians.
- To avoid a hazard to children, account for all parts and destroy all packaging materials.

QTM-eLED		INPUT VOLTAGE			OUTPUT VOLTAGE		CONTROL TYPE
		120V - 277V			12V	24V	0-10V DMX WD AW
Model	Input Voltage (V)	Input Current (A)	Frequency	Nominal Output Voltage (VDC)	Nominal Output Wattage (W)		
QTM-eLED-60	120 / 277	0.60 / 0.29	50/60	12	60		
QTM-eLED-120	120 / 277	1.20 / 0.58	50/60	12	120		
QTM-eLED-180	120 / 277	1.80 / 0.87	50/60	12	180		
QTM-eLED-100	120 / 277	0.95 / 0.40	50/60	24	100		
QTM-eLED-200	120 / 277	1.90 / 0.80	50/60	24	200		
QTM-eLED-300	120 / 277	2.85 / 1.20	50/60	24	300		

- Type IC recessed, inherently protected  
Type IC ENCASTRE, PROTECTION INHÉRENTE
- For supply connections use wire rated for at Least 60°C.
- Suitable for damp locations  
CONVIENT AUX EMPLACEMENTS HUMIDES
- 50/60 Cycle
- Class 1 or Class 2


This product must be installed in accordance with the applicable installation code by a person familiar with the construction and operation of the product and the hazards involved.


CE PRODUIT DOIT ÊTRE INSTALLÉ SELON LE CODE D'INSTALLATION PERTINENT, PAR UNE PERSONNE QUI CONNAÎT BIEN LE PRODUIT ET SON FONCTIONNEMENT AINSI QUE LES RISQUES INHÉRENTS.

**WARNING:**  
RISK OF FIRE. IF INSTALLATION INVOLVES RUNNING WIRE THROUGH A BUILDING STRUCTURE, SPECIAL WIRING METHODS ARE NEEDED. CONSULT A QUALIFIED ELECTRICIAN

LOW VOLTAGE LIGHTING SYSTEM

Q-Tran, Inc.  
CLASS: 3425 - 15  
3425 - 95





Q-TRAN, INC.  
MILFORD, CT U.S.A.  
(203) 367-8777  
WWW.Q-TRAN.COM