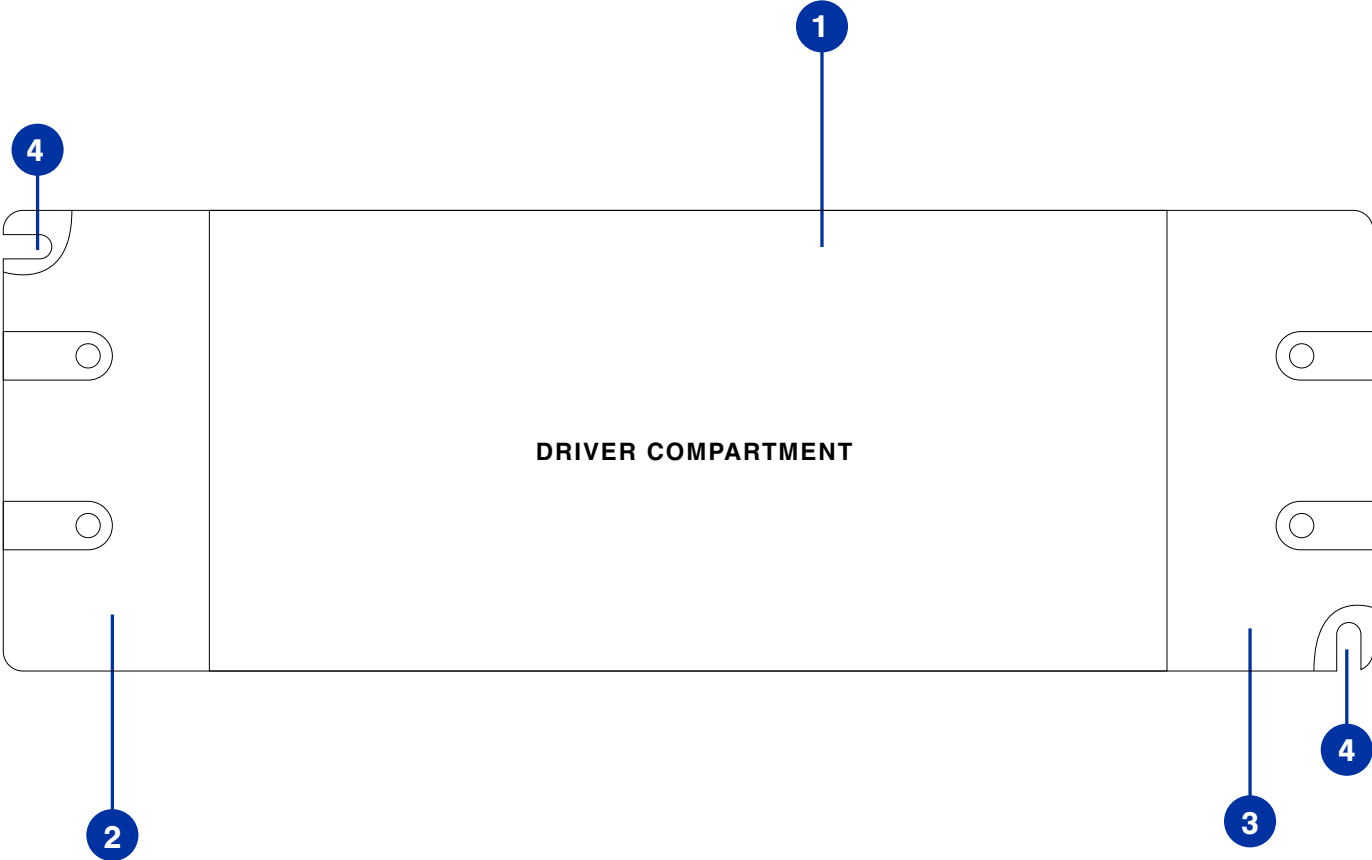


# INSTALLATION

LED POWER SUPPLY - QZLP



TOP VIEW



### QZLP Components

- 1 Driver Compartment
- 2 Primary Compartment
- 3 Secondary Compartment
- 4 Mounting Tab Slots

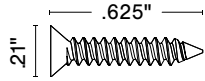
# INSTALLATION

LED POWER SUPPLY - QZLP



## Required Hardware

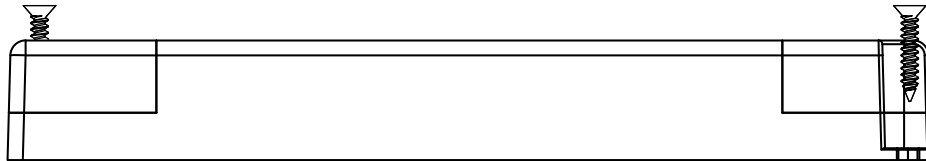
- #4 Flat head screw (not included)



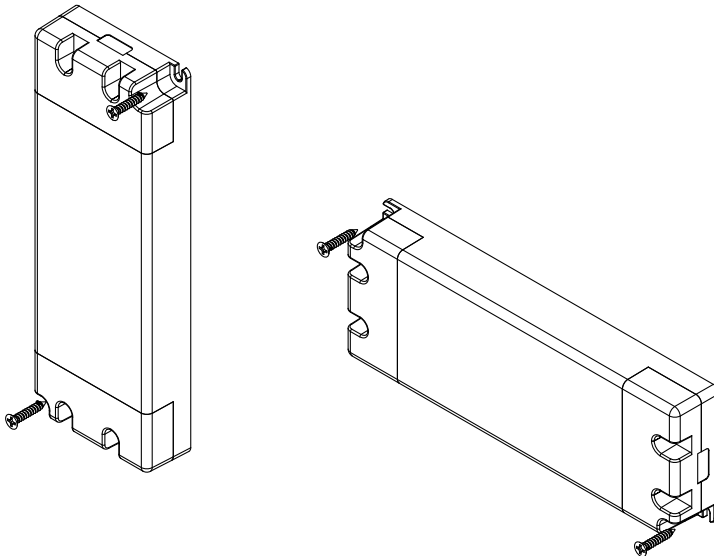
## Mounting

- 1 The QZLP can be mounted either vertically or horizontally, utilizing the supplied screws and the mounting tabs on the bottom of the enclosure

### SIDE SLOT



- 2 The QZLP must be mounted into a stud for sufficient support, using the slots of each mounting tab

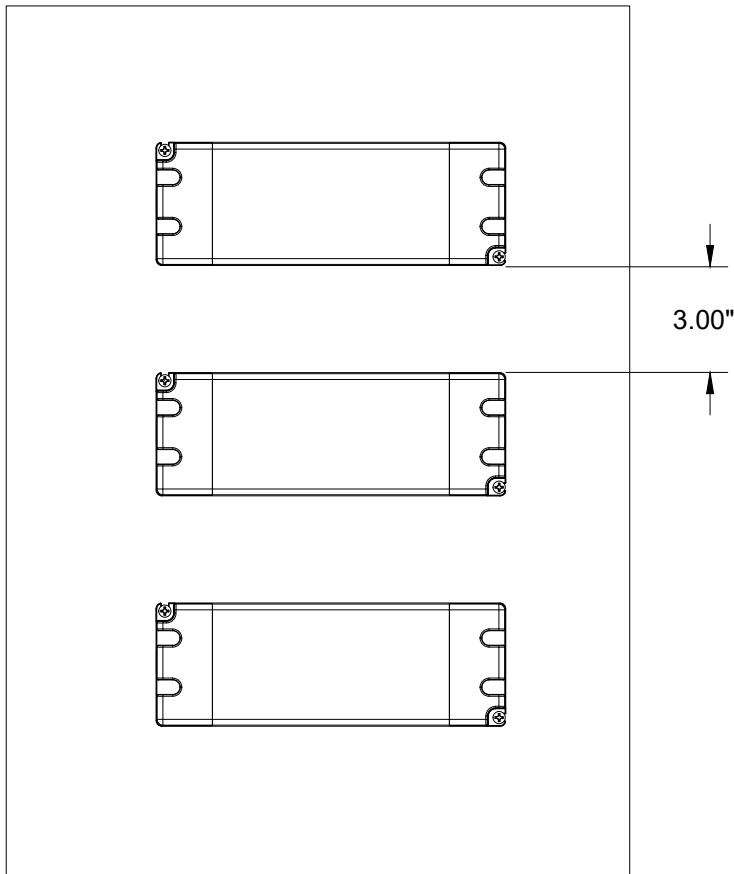


# INSTALLATION

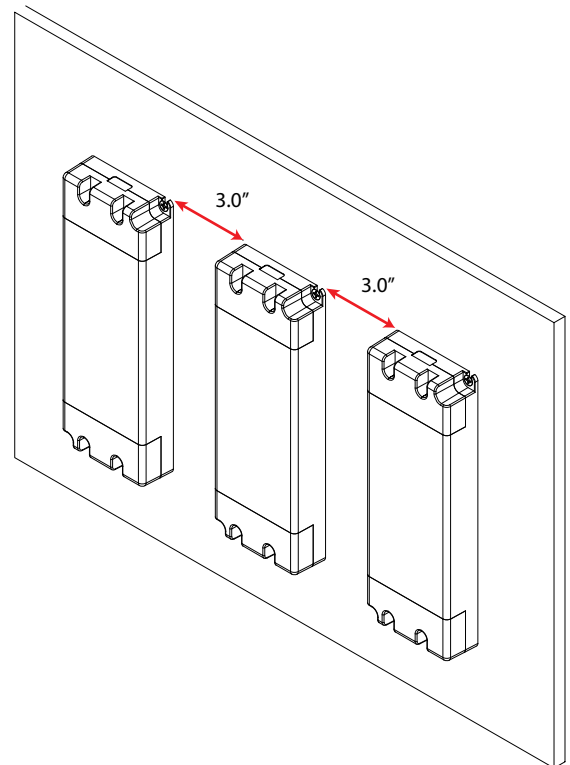
## LED POWER SUPPLY - QZLP



- 3 When installing multiple QZLP power supplies, separate the enclosures by 3" of space from edge to edge. This prevents the rise of ambient temperature between the power supplies.



**Horizontal mount illustrated above**



**Vertical mount illustrated above**

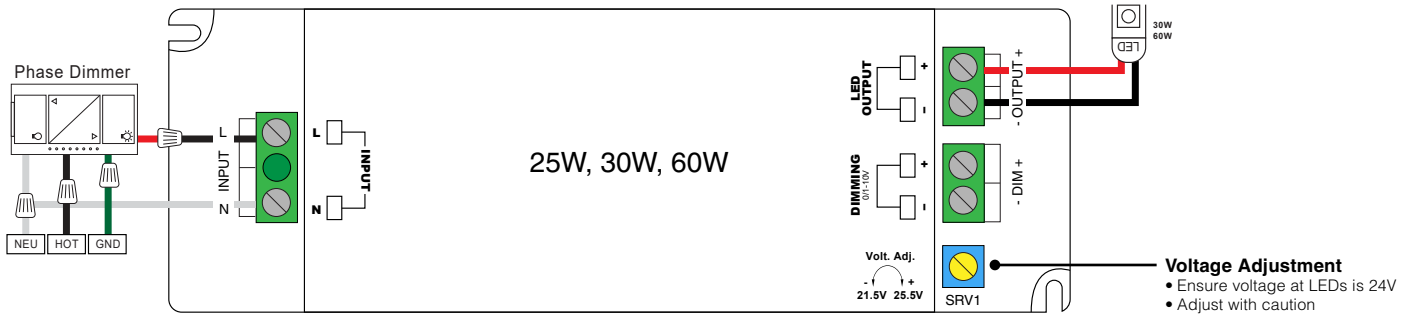
# INSTALLATION

## LED POWER SUPPLY - QZLP

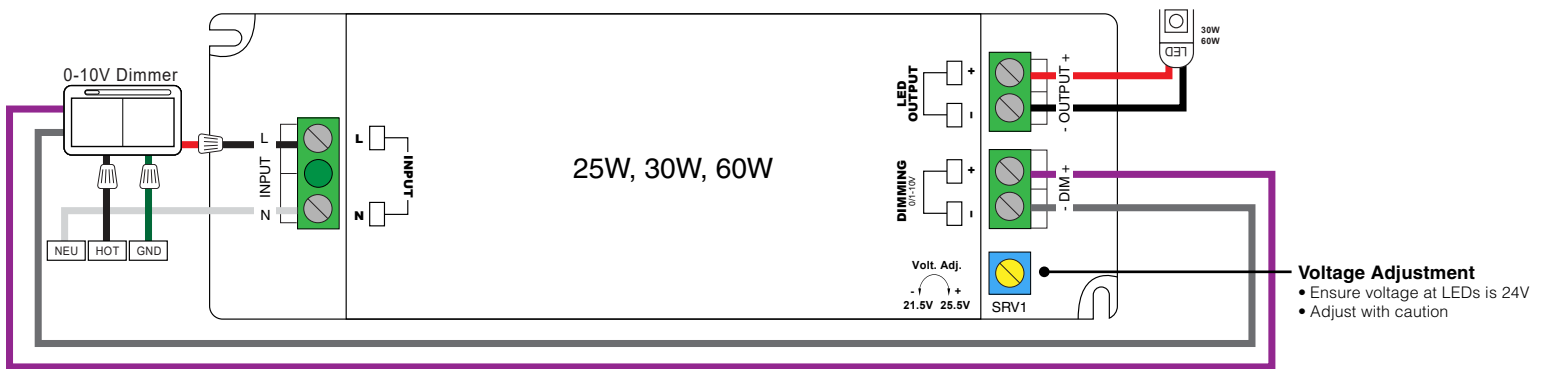


### 4 Wiring diagram

#### Phase Dimming



#### 0-10v Dimming



Wiring from power supply to light fixture must be two conductor cable

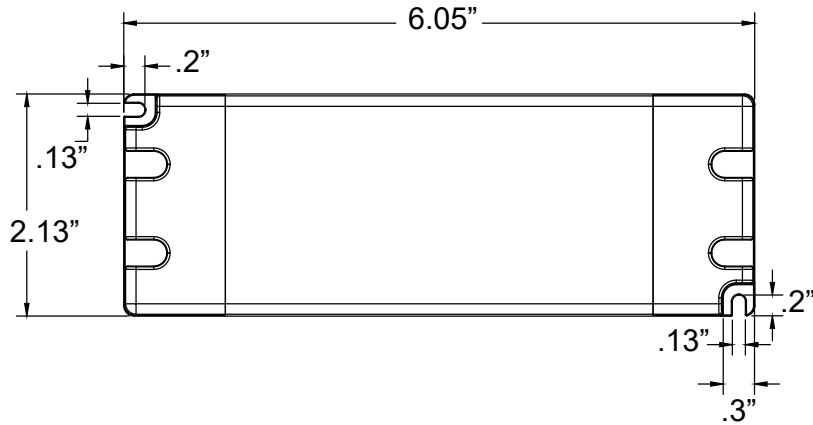
# INSTALLATION

LED POWER SUPPLY - QZLP

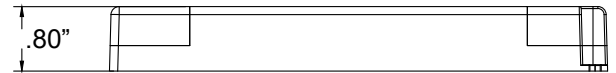


## QZLP 30W

TOP VIEW

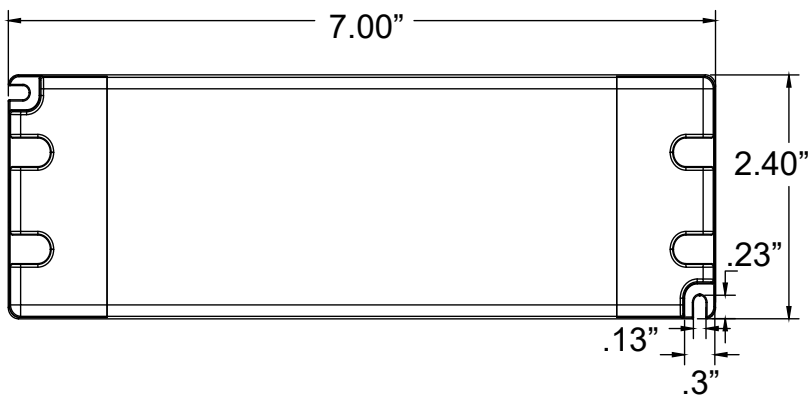


SIDE VIEW



## QZLP 60W

TOP VIEW



SIDE VIEW

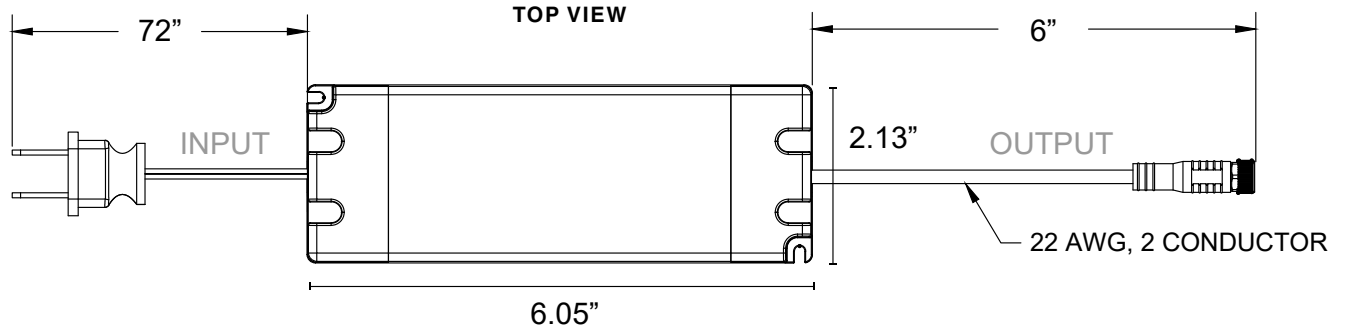


# INSTALLATION

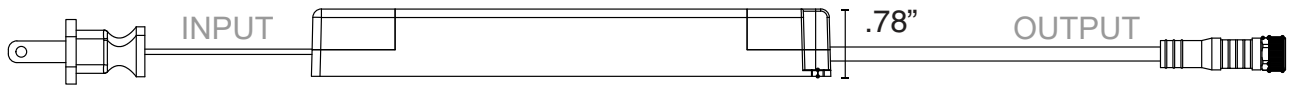
LED POWER SUPPLY - QZLP



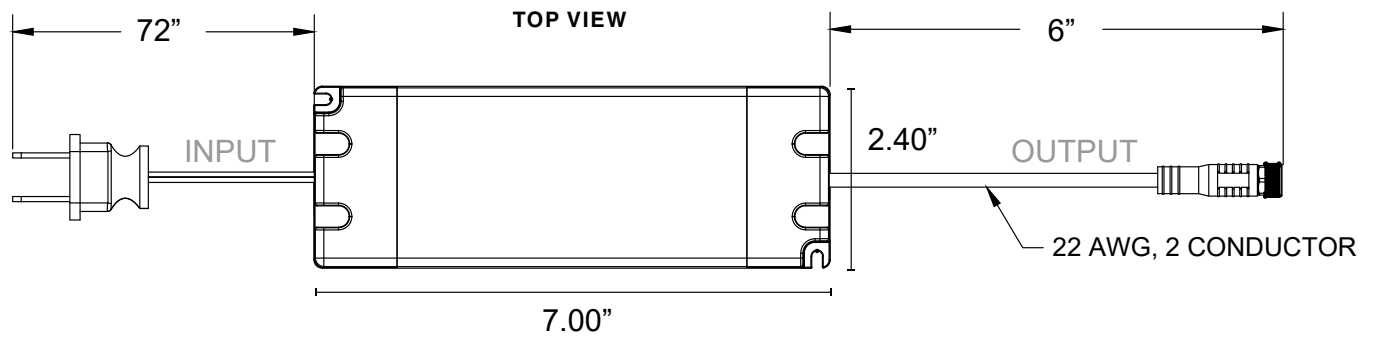
## QZLP CORD & PLUG 25W



**SIDE VIEW**



## QZLP CORD & PLUG 60W



**SIDE VIEW**

