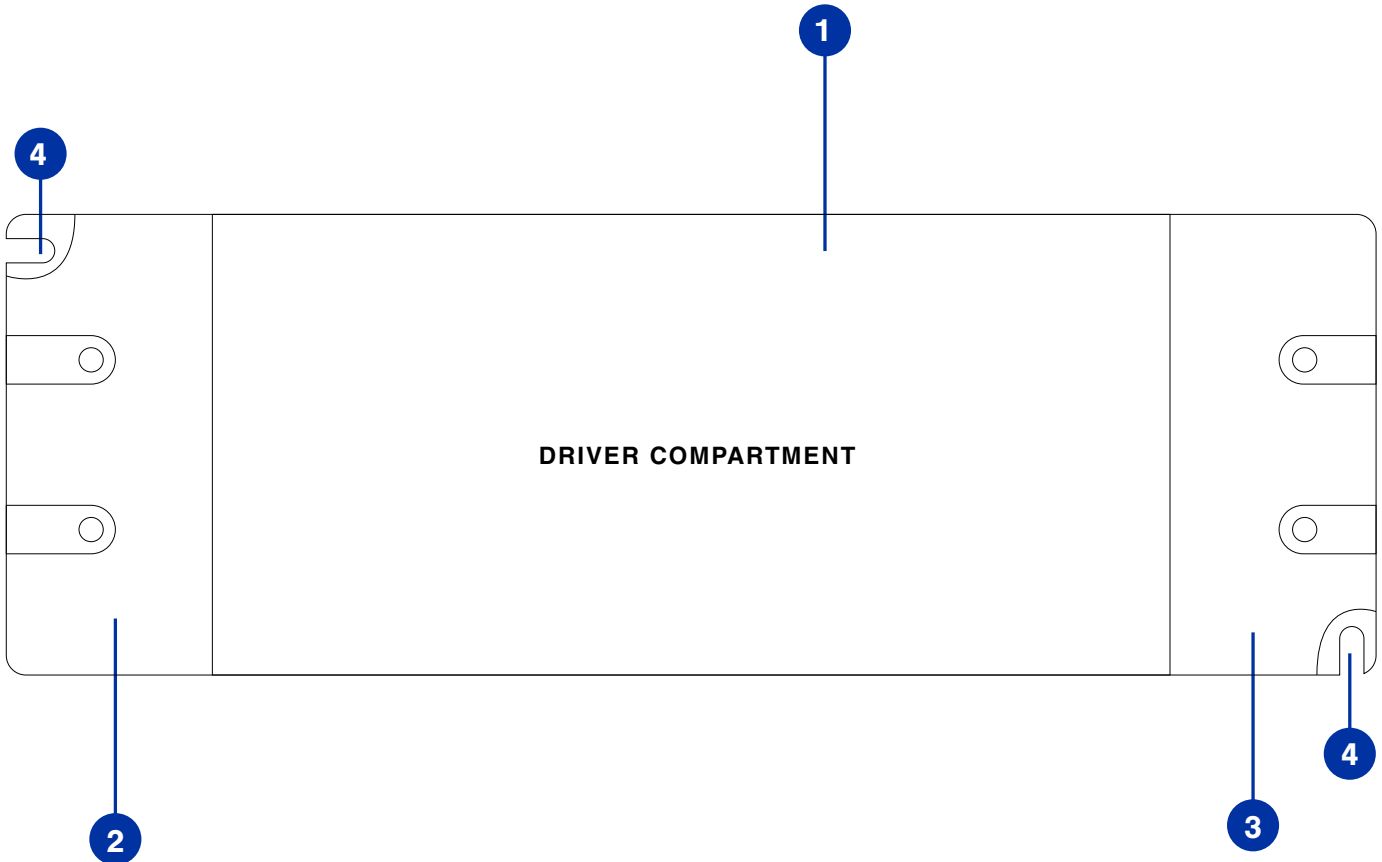


INSTALLATION

LED POWER SUPPLY - QZLP



TOP VIEW



QZLP Components

- 1 Driver Compartment
- 2 Primary Compartment
- 3 Secondary Compartment
- 4 Mounting Tab Slots

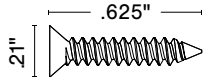
INSTALLATION

LED POWER SUPPLY - QZLP



Required Hardware

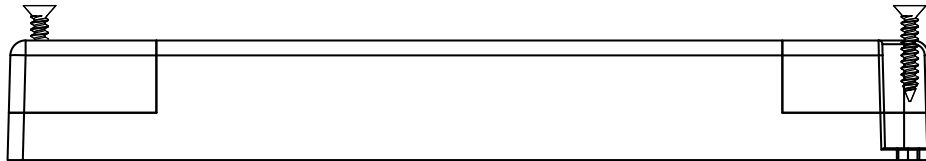
- #4 Flat head screw (not included)



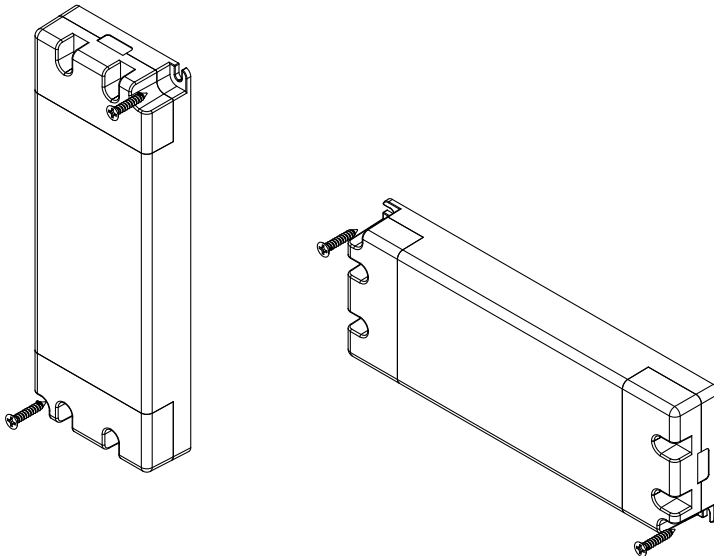
Mounting

- 1 The QZLP can be mounted either vertically or horizontally, utilizing the supplied screws and the mounting tabs on the bottom of the enclosure

SIDE SLOT



- 2 The QZLP must be mounted into a stud for sufficient support, using the slots of each mounting tab

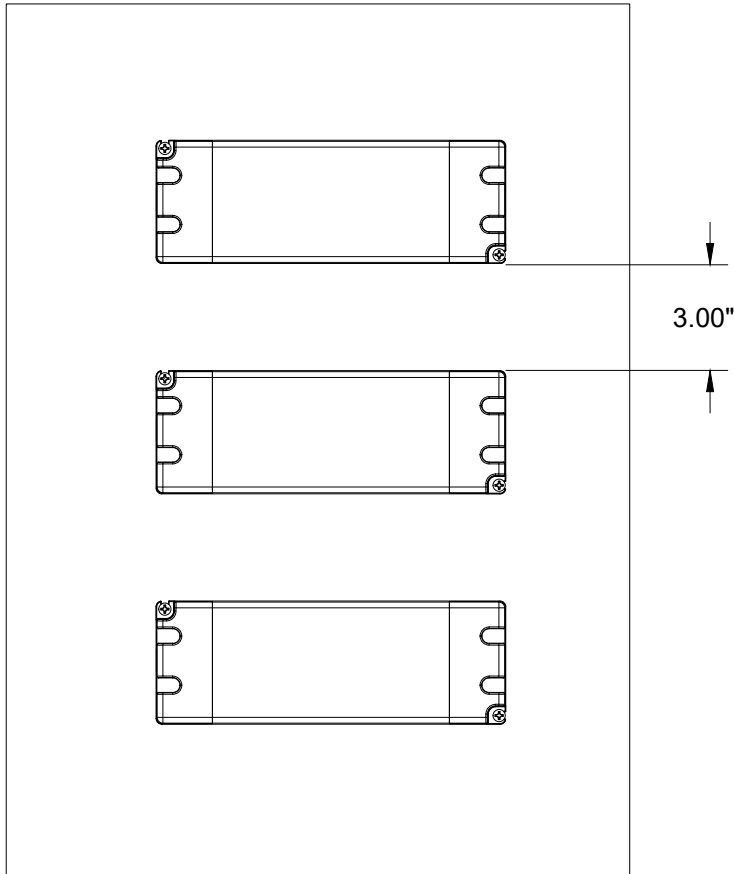


INSTALLATION

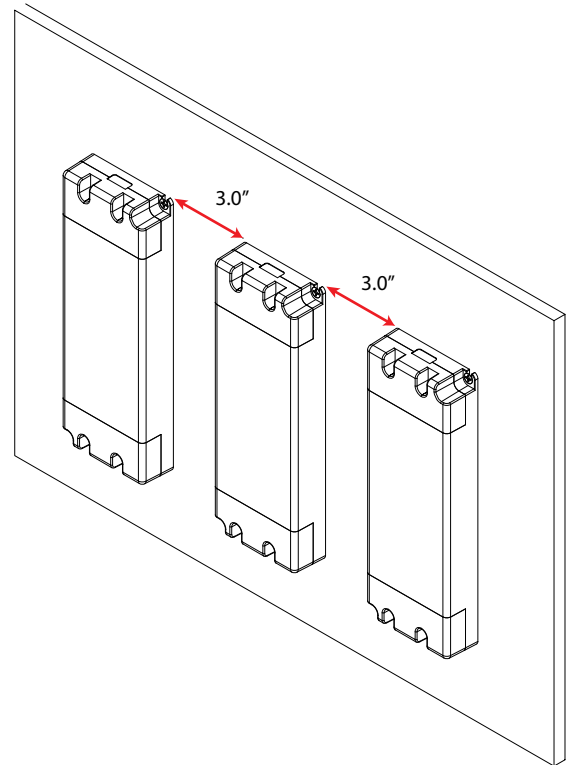
LED POWER SUPPLY - QZLP



- 3 When installing multiple QZLP power supplies, separate the enclosures by 3" of space from edge to edge. This prevents the rise of ambient temperature between the power supplies.



Horizontal mount illustrated above



Vertical mount illustrated above

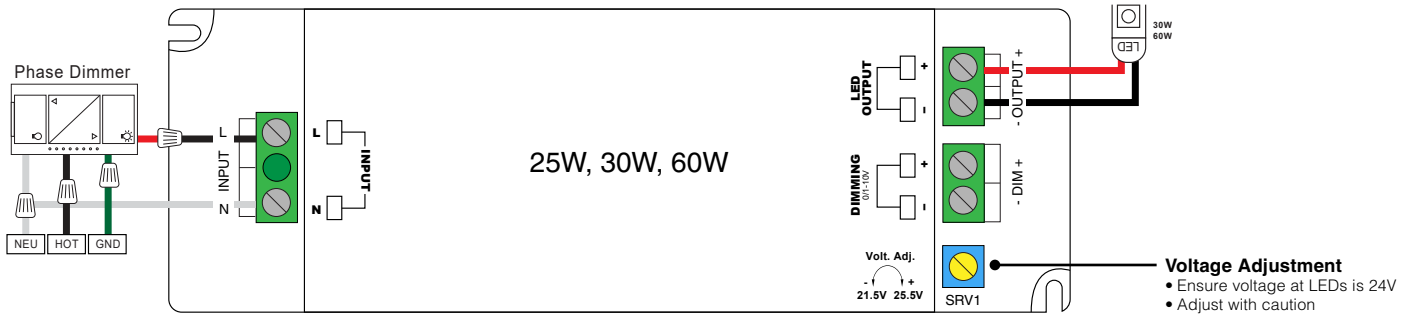
INSTALLATION

LED POWER SUPPLY - QZLP

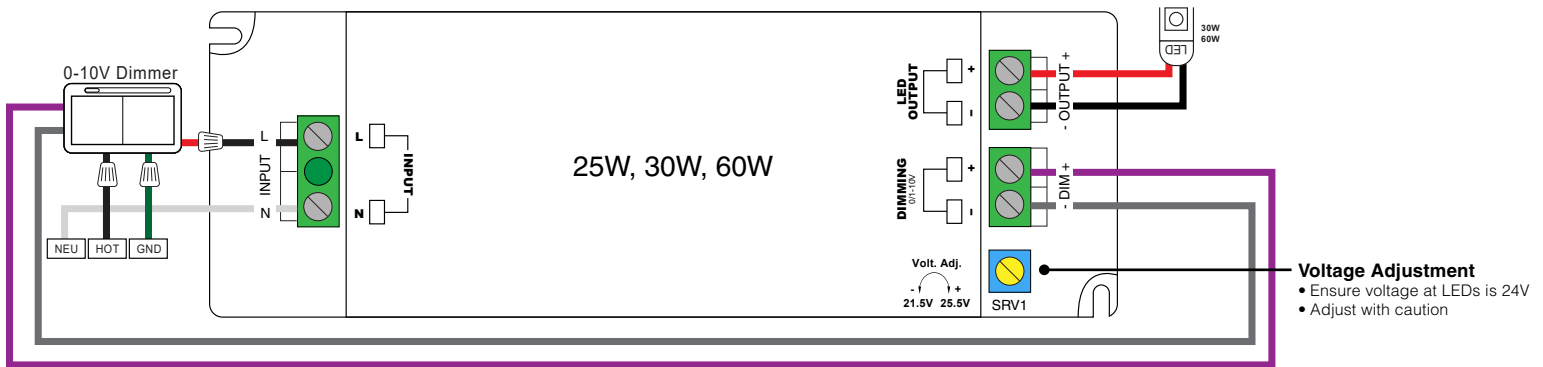


4 Wiring diagram

Phase Dimming



0-10v Dimming



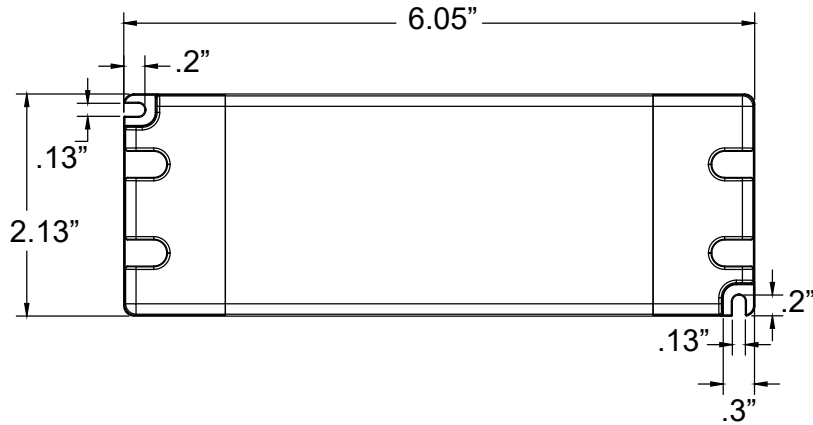
INSTALLATION

LED POWER SUPPLY - QZLP

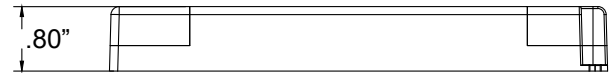


QZLP 30W

TOP VIEW

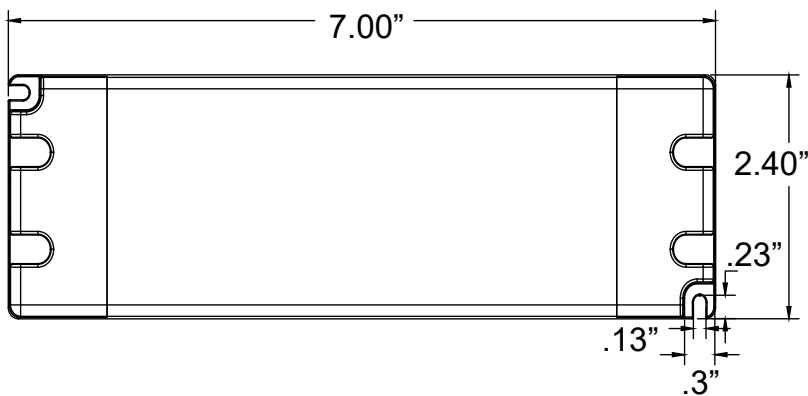


SIDE VIEW

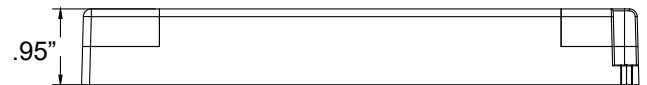


QZLP 60W

TOP VIEW



SIDE VIEW

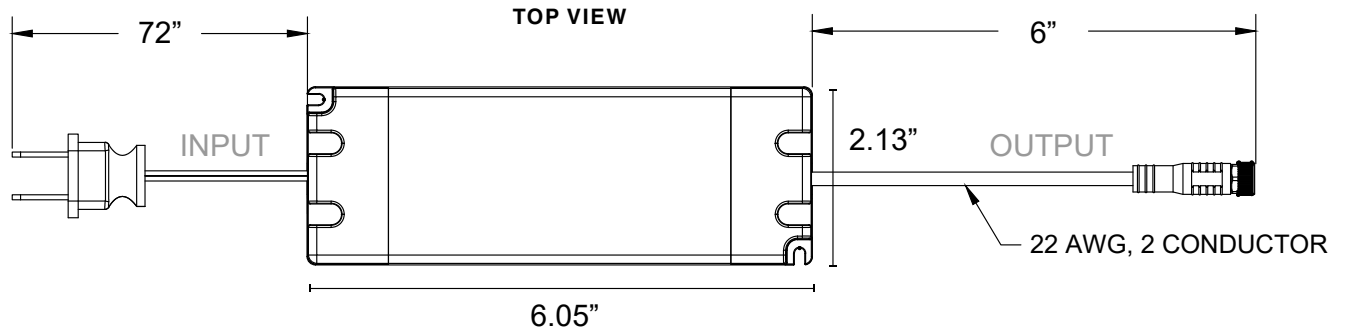


INSTALLATION

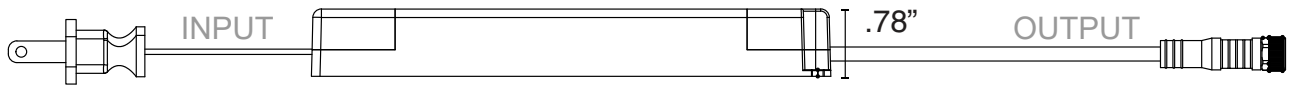
LED POWER SUPPLY - QZLP



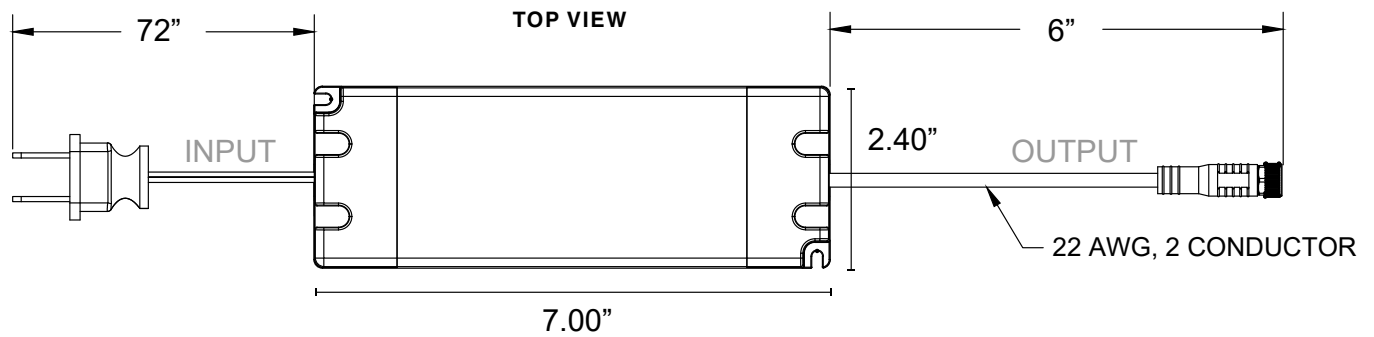
QZLP CORD & PLUG 25W



SIDE VIEW



QZLP CORD & PLUG 60W



SIDE VIEW

