

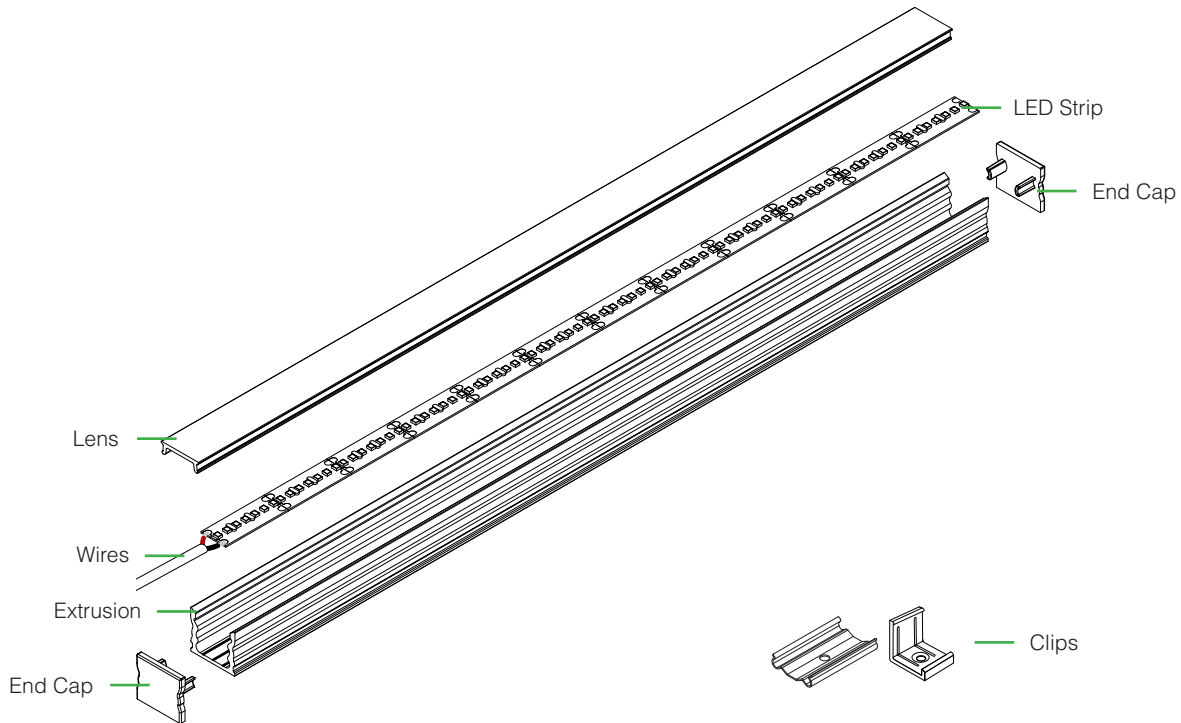
# MATERIAL RECYCLING

## LINEAR FIXTURES / EXTRUSIONS



You may be done with your products, but chances are they still have more to give. Follow these instructions to break down and sort recyclable components. Check with local recycling collection to ensure they accept the materials listed below.

Additionally, Q-Tran offers a Takeback Program. Contact factory for information.



Lens  
Plastic End Caps  
Plastic Clips



LED Strip  
Wires



Extrusion  
Metal End Caps



Stainless Steel Clips