

The QJBL is available in either 20 watts or 40 watts; 120V or 277V input; 12V or 24V output. The QJBL is a 4 11/16-inch square junction box that provides a solid solution for smaller AC/LED loads.



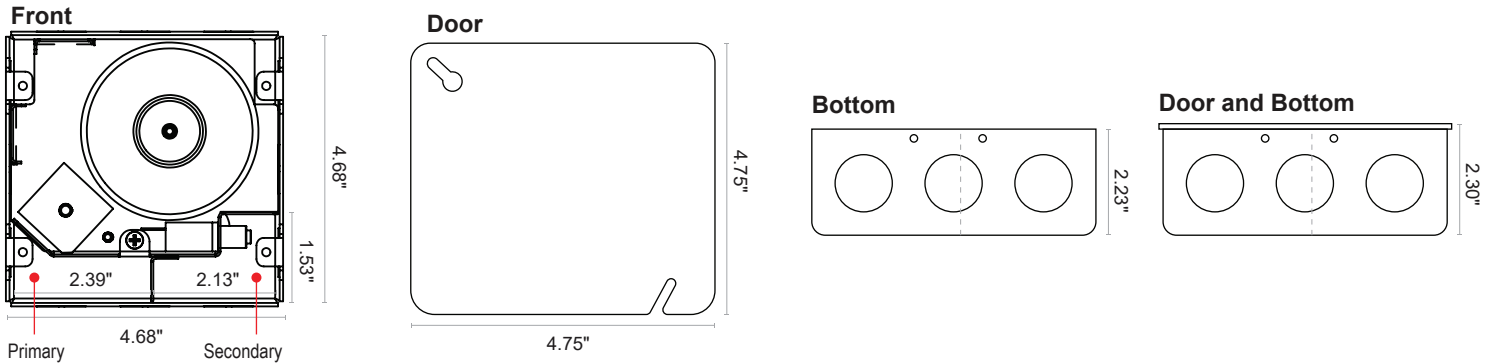
### Part Number Builder

Product	Size <sup>1</sup>	Prim. V	Sec. V
QJBL			
	^	^	^
	20W 40W	120 (60Hz) 277 (60Hz)	12V 24V

### Technical Information

#### <sup>1</sup>Size

Size	Watts	Secondary Voltage	Max Prim Amps @ 120V	Max Prim Amps @ 277V
20W	1x20W	12V	0.324 A	0.140 A
40W	1x40W	12V	0.384 A	0.166 A
20W	1x20W	24V	0.324 A	0.140 A
40W	1x40W	24V	0.384 A	0.166 A



### Housing

- 20 - gauge steel enclosure
- Junction Box: 4.68"W x 4.68"H x 2.22"D
- Door: 4.75"W x 4.75"H
- Color: white powder coating
- Knockouts: 2

### Primary Circuit Protection

- Primary Autotset Thermal Protector

NOTE: Thermal protector will temporarily disconnect the primary if the transformer overheats due to an overload or saturation from a faulty dimmer

### Secondary Circuit Protection

- Magnetic Circuit Breaker: 1
- Amps: 4A

NOTE: Breakers are sized to the feed load per N.E.C. Article 411

### Included Items

- Barrier Plate

### Toroidal Transformer

- Primary Taps: 1 or 3
- Output Voltages: 12V or 24V

NOTE: 20W Supplies have one tap and 40W supplies have 3 taps

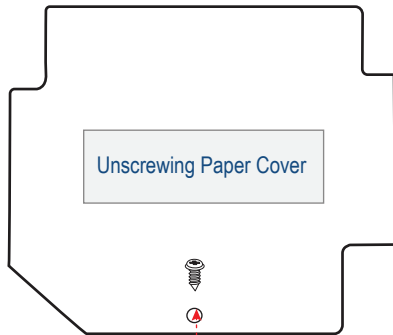
- For indoor use only
- Suitable for damp locations
- Wall or recess mount capable
- Type IC recessed, inherently protected
- Dimmer, if used, must be magnetic low voltage dimmer
- Class 2 output
- Dimmers must have a neutral

- Suitable for Class 2 wiring
- For supply connections use wires rated for at least 75°C
- CSA #239924

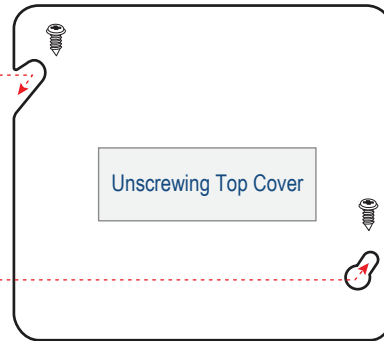
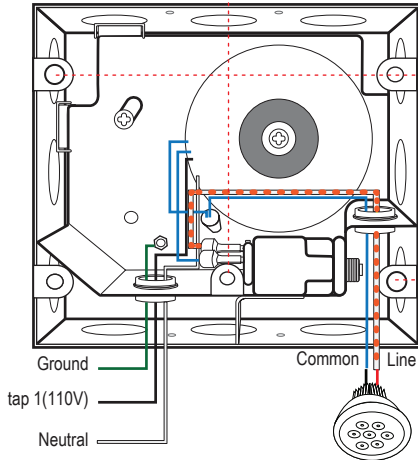
#### Low Voltage Lighting Systems

- : UL 1598 - Luminaires
- : UL Standard 2108 - Low Voltage Lighting System
- : UL Standard 8750 - Light Emitting Diode (LED) Equipment for Use in Lighting Products
- : CSA C22.2 No 250.13-14 - Light Emitting Diode (LED) Equipment for Lighting Applications

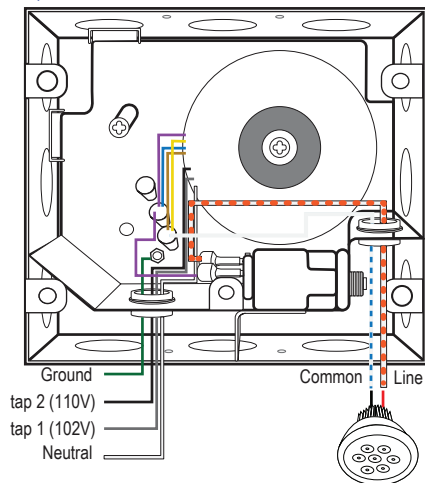
### Wiring Diagram



**QJBL-20-120/24**



**QJBL-40-120/12**



**QJBL-40-120/24**

