

Q-SET-eLED

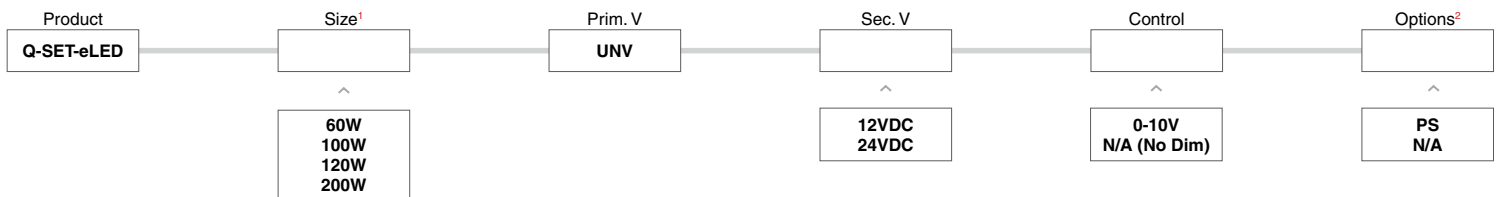
LED POWER SUPPLY 60W-200W



Q-SET-eLED is Q-Tran's direct burial and outdoor rated electronic power supply, utilizing the Xitanium driver from Advance. These drivers provide a 12VDC or 24VDC, constant voltage output, with optional 0-10V dimming modules.



Part Number Builder



Technical Information

¹ Size

Size	Max Load (Watts)	Secondary Voltage (12/24VDC)	Max Prim Amps @ 120V	Max Prim Amps @ 277V
60W	1x60W	12VDC	0.90A	0.4A
120W	2x60W	12VDC	1.40A	0.6A
100W	1x100W	24VDC	1.1A	0.5A
200W	2x100W	24VDC	2.2A	1.0A

² Options

PS Pool & Spa

Voltage Drop Chart

VDC	Watts (W)	10 AWG (5.6mm ²)	12 AWG (3.3mm ²)	14 AWG (3.0mm ²)	16 AWG (1.3mm ²)	18 AWG (0.78mm ²)	20 AWG (0.50mm ²)	22 AWG (0.33mm ²)	24 AWG (0.22mm ²)	26 AWG (0.13mm ²)
12	12	631'	397'	250'	157'	99'	62'	39'	25'	15'
	25	231'	145'	91'	57'	36'	23'	14'	9'	6'
	60	14'	9'	6'						
24	17	1795'	1129'	710'	446'	281'	177'	111'	70'	44'
	25	1134'	713'	449'	282'	177'	112'	70'	44'	28'
	40	619'	389'	245'	154'	97'	61'	38'	24'	15'
	80	261'	164'	103'	65'	41'	26'	16'	10'	6'
	100	168'	106'	67'	42'	26'	17'	10'	7'	

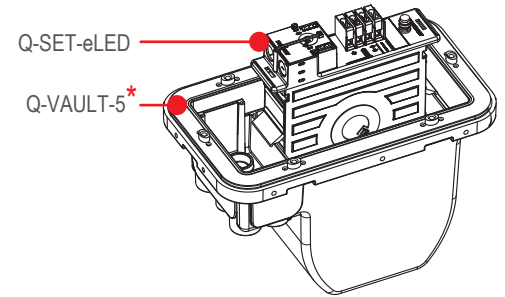
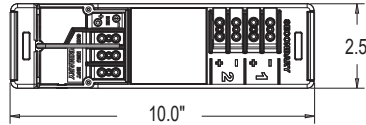
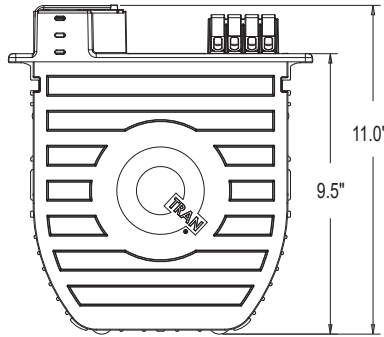
*Distances are based on a 5% Voltage drop max.

- This product must be installed in accordance with the applicable installation code by a person familiar with the construction and operation of the product and the hazards involved
- If dimming with optional 0-10V dimming module, use a dimmer rated for 0-10V operation



Q-SET-eLED

LED POWER SUPPLY 60W-200W



(Must be purchased with Q-VAULT-5)
* One Q-VAULT-5 can fit two Q-SET-eLED

Housing

- Dimensions: 11.0"L x 10.0"W x 2.5"D
- Q-VAULT-5 enclosure can fit up to two Q-SET-eLED
- Q-VAULT-5 is IP68 rated

Performance

- Power supply shall be rated for outdoor and direct burial use in Q-VAULT-5 IP68 Listed direct burial enclosure
- Fully rated to operate low voltage load at listed wattage (No Derating Required)
- Limit voltage regulation to 5% or less of rated output voltage
- Universal input range of 120-277 Vrms
- Rated for:
 - CSA Class 3425 15 and Class 3425 95 - Landscape Lighting System Components
 - CSA Class 3426 04 and Class 3426 94 - Low Voltage Lighting Systems
- Terminal blocks shall be made of tin plated copper with a voltage rating of 300V and a current rating of 50A
- Short Circuit Protection (SCP)
- Overload Protection (OLP)
- Live tested by manufacturer to ensure proper operation
- Housing for direct burial fixtures shall be IP68 Rated, with all sealing materials supplied by the manufacturer
- Housing for direct burial fixtures shall be rated for burial in soil, gravel and concrete

- Limited output voltage and current, plus isolation for safe operation
- Dimmable w/additional 0-10V dimming module
- Fully potted driver(s) for moisture resistance
- Suitable for dry, damp, and wet locations
- Primary voltage - universal (120-277V)
- Wide operating temperature range: 4°F to 104°F
- Fits up to (3): 60W 12VDC or (3):100W 24VDC driver(s) and 0-10V dimming module(s) in the same housing

- 5 year warranty
- Class 2 output
- CSA #239924

Low Voltage Lighting Systems

- : CSA Class 3426-04 and Class 3426-94
- : CSA Standard C22.2 No. 250.0-08 - Luminaires
- : ANSI/ UL Standard 2108 - Low Voltage Lighting System

Landscape Lighting Systems

- : CSA Class 3425-15 and Class 3425-95
- : CSA Standard C22.2 No. 250.7-07 - Extra-Low-Voltage Landscape Lighting Systems
- : ANSI/ UL Standard 1838 - Low Voltage Landscape Lighting Systems
- : ANSI/ UL Standard 379-Power Units for Fountain, Swimming Pool, and Spa Luminaires



Specifications

Input	12VDC			24VDC		
	120	230	277	120	230	277
Input Voltage (Vrms)	120	230	277	120	230	277
Input Current, max (Arms)	0.58	0.30	0.30	0.98	0.51	0.42
Inrush Current, max* (Apk)	---	---	---	45	90	100
Input Frequency (Hz)	50/60			50/60		
Input Power (W)	70			177		

Output	12VDC		24VDC	
	12	24	12	24
Output Voltage, nom (V)	12	24	12	24
Output Current (A)	5.0	4.1	5.0	4.1
Output Power (Wmax)	60	100	60	100
Dimming 0-10V, max	2mA			

Environmental	12VDC			24VDC		
	Min	Nom	Max	Min	Nom	Max
THD (%)	---	---	20	---	---	20
PF (%)	0.9	---	---	0.90	---	---
Case Temp (°C)	---	---	90	---	---	90

*- 200us event

Protections

- Short Circuit Protection (SCP)
- Overload Protection (OLP)

Compliance

- EMI Spec : FCC 47 Part 15
: CISPR 15
: CISPR 22 Class A
- CSA Certified : UL-2108
: UL-8750
: CSA C22.2 No 250.7-07
: CSA C22.2 No 250.0-08

