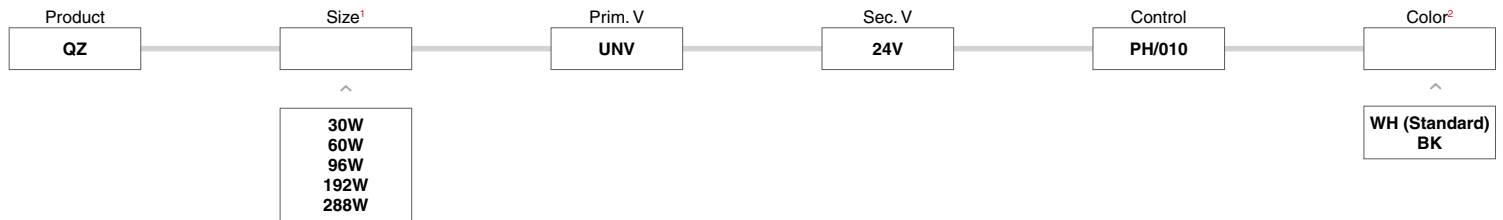


The QZ is a versatile dimmable Class 2 LED power supply that can be controlled via phase (forward or reverse) or 0-10V dimming. The Pulse Width Modulation (PWM) output provides smooth flicker-free dimming. When using phase control, a dimmer with a neutral is recommended. The driver has 24VDC constant voltage output and is available in 30-288 watts power up to 288W (96x3). The housing is also listed for indoor or outdoor use.



### Part Number Builder



### Technical Information

#### <sup>1</sup> Size

| Size | Primary Voltage | Secondary Voltage | Secondary Current |
|------|-----------------|-------------------|-------------------|
| 30W  | 110-277V        | 24VDC             | 1.25 A            |
| 60W  | 110-277V        | 24VDC             | 2.5 A             |
| 96W  | 110-277V        | 24VDC             | 1x4 A             |
| 192W | 110-277V        | 24VDC             | 2x4 A             |
| 288W | 110-277V        | 24VDC             | 3x4 A             |

#### <sup>2</sup> Color

- WH** White (Standard)
- BK** Black Powder Coat Finish

### Voltage Drop Chart

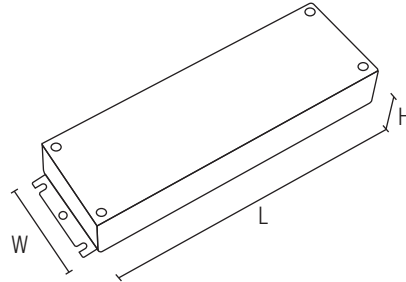
| VDC | Load Wattage (W) | Distance from PS for 5% Voltage Drop |        |        |        |        |        |        |        |        |
|-----|------------------|--------------------------------------|--------|--------|--------|--------|--------|--------|--------|--------|
|     |                  | 10 AWG                               | 12 AWG | 14 AWG | 16 AWG | 18 AWG | 20 AWG | 22 AWG | 24 AWG | 26 AWG |
| 24  | 15               | 913                                  | 574    | 361    | 227    | 143    | 90     | 55     | 35     | 22     |
|     | 30               | 456                                  | 287    | 181    | 114    | 71     | 45     | 28     | 17     | 11     |
|     | 60               | 228                                  | 143    | 90     | 57     | 36     | 22     | 14     | 9      | 5      |
|     | 80               | 171                                  | 108    | 68     | 43     | 27     | 17     | 10     | 7      | 4      |
|     | 96               | 143                                  | 90     | 56     | 35     | 22     | 14     | 9      | 5      | 3      |

Wiring from power supply to light fixture must be two conductor cable

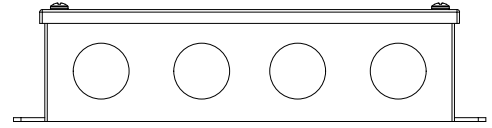


### Dimensions

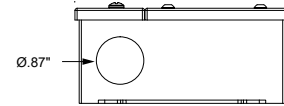
| QZ   | L (in) | W (in) | H (in) |
|------|--------|--------|--------|
| 30W  | 6.5    | 3.75   | 1.58   |
| 60W  | 7.5    | 3.75   | 1.58   |
| 96W  | 8.68   | 3.75   | 1.58   |
| 192W | 10.94  | 4.32   | 1.77   |
| 288W | 11.87  | 4.13   | 1.77   |



WIRING COMPARTMENT



SIDE



### Specifications

| Input                      |             |
|----------------------------|-------------|
| Input Voltage (Vrms)       | 110-277     |
| Input Current, max (Arms)  | 3.3A @ 110V |
| Inrush Current, max* (Apk) | 30A @ 277V  |
| Input Frequency (Hz)       | 50/60       |
| Input Power (W)            | 330         |

| Output                  |                  |
|-------------------------|------------------|
| Output Voltage, nom (V) | 24               |
| Output Current (A)      | 288W, 3x4A @ 24V |
| Output Power (Wmax)     | 288W             |

| Environmental     | Min  | Nom | Max |
|-------------------|------|-----|-----|
| THD (%)           | ---  | --- | 20  |
| PF (%)            | 0.98 | --- | --- |
| Working Temp (°F) | ---  | --- | 140 |
| IP Rating         | 66   | --- | --- |

\*-200us event

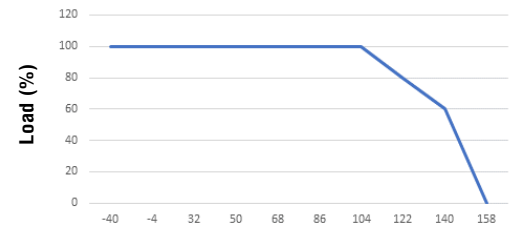
### Protections

- Short Circuit Protection
- Over Loading Protection
- Over Temperature Protecton
- I/P-O/P: 1.88KVAC
- I/P-O/P: 100MΩ/500VDC/77°F/70%RH

### Compliance

- EMI/RFI :FCC Part 15B
- Certified :UL8750  
:UL1310

Derating Curve

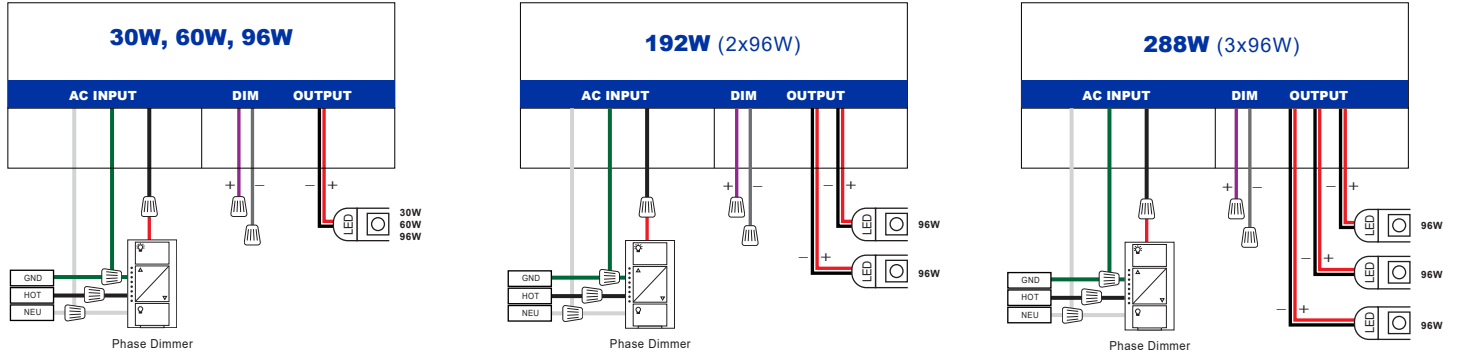


Ambient Temperature (°F)

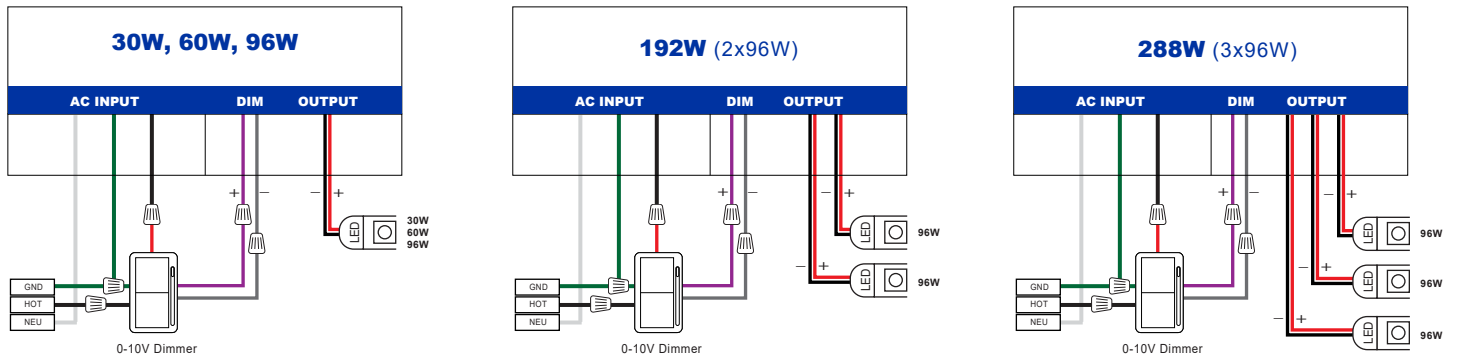
- Vertical or horizontal surface mount
- Constant voltage output
- Dimming range: 0.1% - 100%
- Dimming:
  - Phase dimming: works with forward phase / leading edge, MLV and Reverse phase / trailing edge, ELV, TRIAC dimmers
  - 0-10V dimming
  - 1-10V dimming
  - 10V PWM
  - Potentiometer
- Flicker-free dimming
- IP66 Rated
- Follows recommended practices of IEEE standard P1789 to mitigate flicker-includes health risks
- PWM (high frequency) output reduces visible flicker
- Suitable for dry, damp and wet locations
- Suitable for indoor & outdoor use
- Primary voltage - universal (110-277V)
- Wide operating temperature range: -40°F to +140°F
- UL, cUL listed
- Type HL rated
- Compliant to FCC Part 15B
- 5 year warranty



### Phase Dimming



### 0-10V Dimming



Wiring from power supply to light fixture must be two conductor cable

