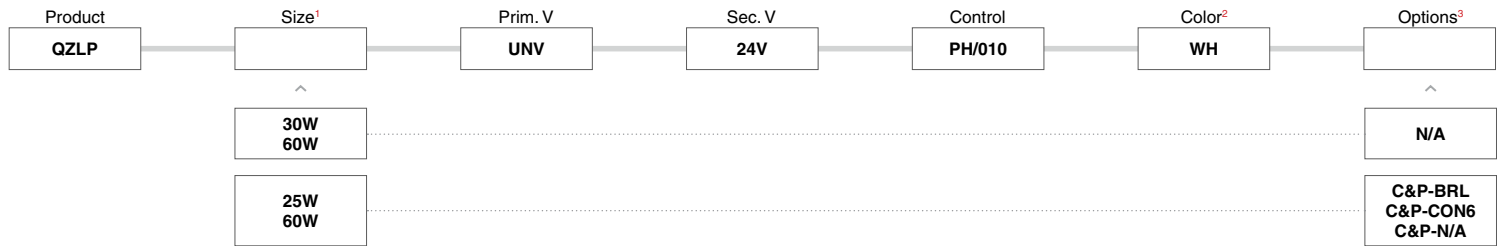


The QZLP is a low profile versatile dimmable Class 2 LED power supply that can be controlled via phase (forward or reverse) or 0-10V dimming. The Pulse Width Modulation (PWM) output provides smooth flicker-free dimming. When using phase control, a dimmer with a neutral is recommended. The driver has 24VDC constant voltage output and is available in 30-60 watts. The housing is listed for indoor use.



Part Number Builder



Technical Information

¹ Size

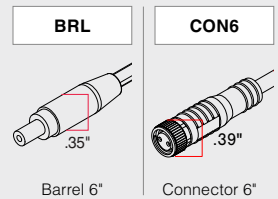
Size	Primary Voltage	Secondary Voltage	Secondary Current
25W	110-277V	24VDC	1.04 A
30W	110-277V	24VDC	1.25 A
60W	110-277V	24VDC	2.5 A

² Color

WH White

³ Options

C&P Cord & Plug



Voltage Drop Chart

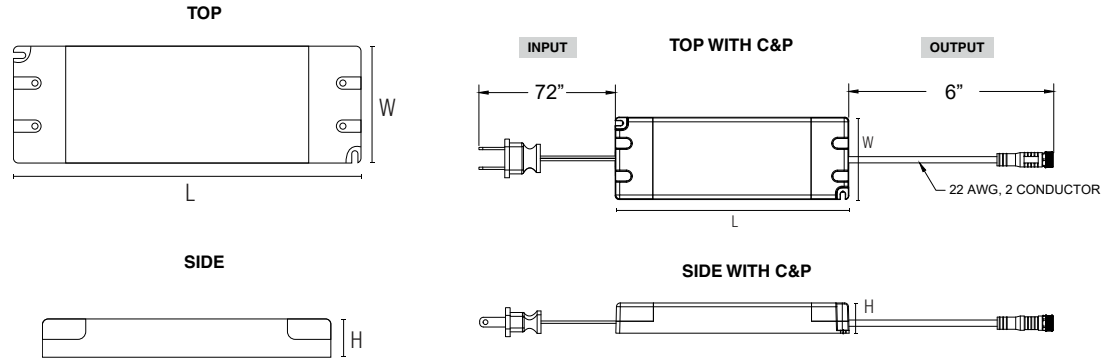
VDC	Load Wattage (W)	Distance from PS for 5% Voltage Drop								
		10 AWG	12 AWG	14 AWG	16 AWG	18 AWG	20 AWG	22 AWG	24 AWG	26 AWG
24	15	913	574	361	227	143	90	55	35	22
	30	456	287	181	114	71	45	28	17	11
	60	228	143	90	57	36	22	14	9	5

Wiring from power supply to light fixture must be two conductor cable



Dimensions

QZ	L (in)	W (in)	H (in)
25W, 30W	6.1	2.13	0.79
60W	7.0	2.4	0.95



Specifications

Input	
Input Voltage (Vrms)	110-277
Input Current, max (Arms)	0.9A @ 110V
Inrush Current, max* (Apk)	15A @ 277V
Input Frequency (Hz)	50/60
Input Power (W)	90

Output	
Output Voltage, nom (V)	24
Output Voltage Adjust Range	21.5V - 25.5V
Output Current (A)	60W, 2.5A @ 24V
Output Power (Wmax)	60W

Environmental	Min	Nom	Max
THD (%)	---	---	20
PF (%)	0.98	---	---
Working Temp (°F)	---	---	140
IP Rating	20	---	---

*-200us event

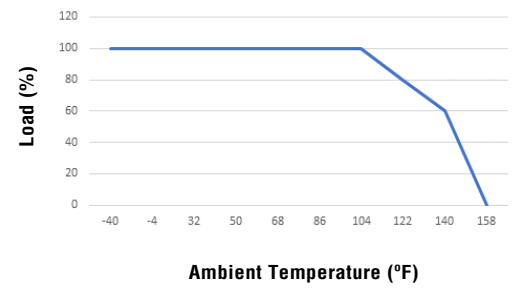
Protections

- Short Circuit Protection
- Over Loading Protection
- Over Temperature Protection
- I/P-O/P: 1.88KVAC
- I/P-O/P: 100MΩ/500VDC/77°F/70%RH

Compliance

- EMI/RFI :FCC Part 15B
- Certified :UL8750
:UL1310

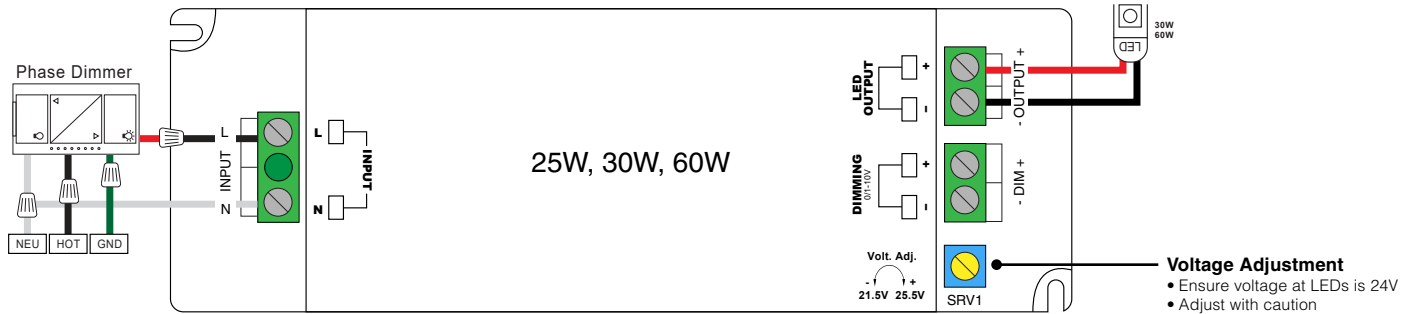
Derating Curve



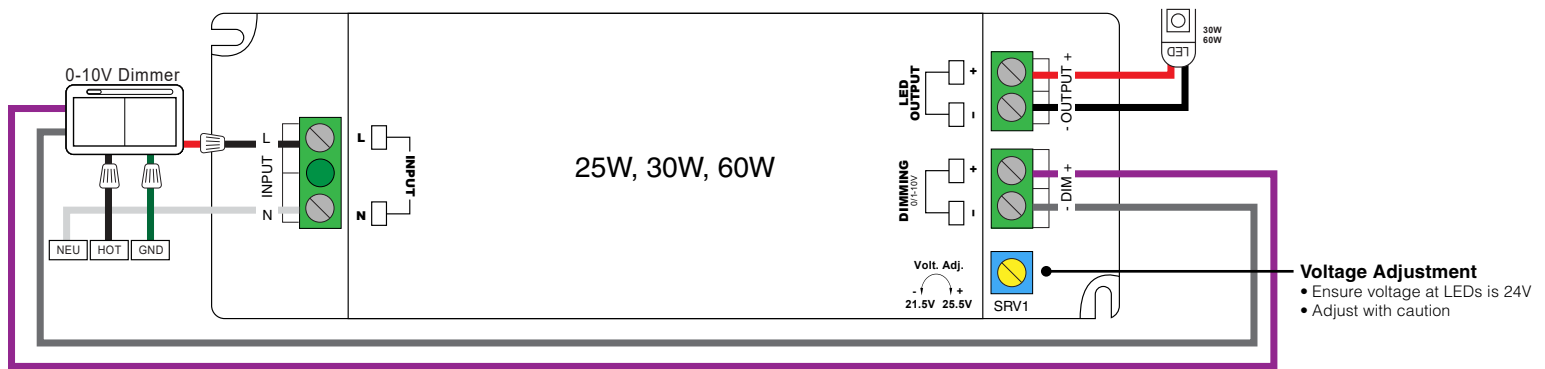
- Vertical or horizontal surface mount
- Constant voltage output
- Adjustable output voltage range: 21.5V - 25.5V
- Dimming range: 0.1% - 100%
- Dimming protocols:
 - Phase dimming: works with forward phase / leading edge, MLV, reverse phase / trailing edge, ELV, and TRIAC dimmers
 - 0-10V dimming
 - 1-10V dimming
 - 10V PWM
 - Potentiometer
- Consistent dimming curves across protocols
- Flicker-free dimming
- IP20 Rated
- Follows recommended practices of IEEE standard P1789 to mitigate flicker-includes health risks
- PWM (high frequency) output reduces visible flicker
- Suitable for dry and damp locations
- Suitable for indoor use
- Primary voltage - universal (110-277V)
- Operating temperature range: -40°F to +140°F
- UL, cUL listed
- Type HL rated
- Compliant to FCC Part 15B
- 5 year warranty



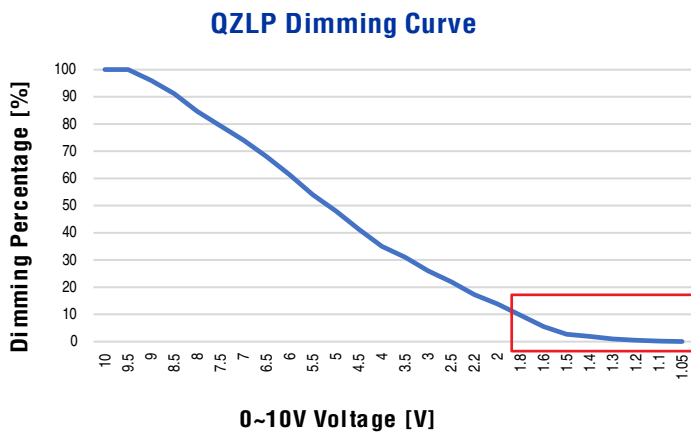
Phase Dimming



0-10V Dimming



Wiring from power supply to light fixture must be two conductor cable



Exploded View

