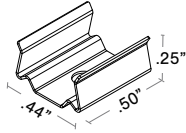


**Mounting** NOTE: 2 white snug clips provided per first 12", 1 for each additional 12".

### WSC-02:

#### WHITE SNUG CLIP

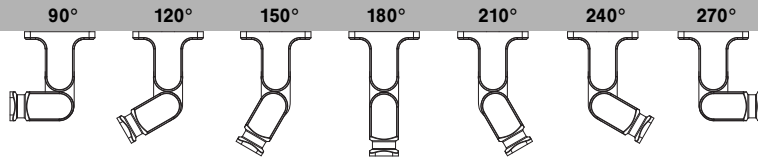
- For indoor/outdoor use
- Surface mounting
- Stainless steel/corrosion resistant
- Discrete mounting
- White glossy finish



#### MOUNTING HARDWARE

- #4 flat screw (one provided for each clip)
- 832 Silicone (sold separately)

### Mounting Accessories

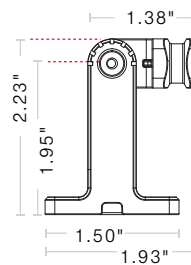


#### Q-ANGLE

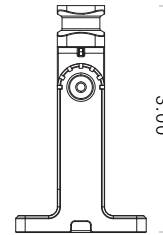
(Full ordering guide and installation available for this product in the [accessories](#) section of website)

- Offset lighting to illuminate signs, artwork, etc.
- For indoor/outdoor use
- Wall, ceiling, or floor mounted
- Anodized aluminum/corrosion resistant
- Free moving rotating head which can be locked into specific angles
- Preset dial notches for easy adjustments from 90° to 270°

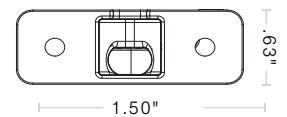
90° BACK VIEW



180° BACK VIEW

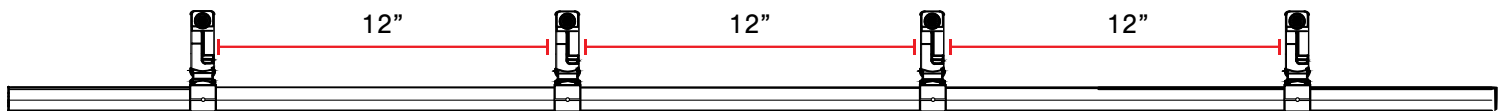


BASE; BOTTOM VIEW



#### MOUNTING HARDWARE

- Mounting Clip
- 6-32 Fillister head screw
- 4-40 Flat head screw
- Drywall anchor (not provided)
- #6- 1 1/4 " wood screw



**Q-ANGLE MUST BE MOUNTED EVERY 12"**

SEE [Q-ANGLE INSTALL](#) FOR MORE INFORMATION

# NEXUS-SW

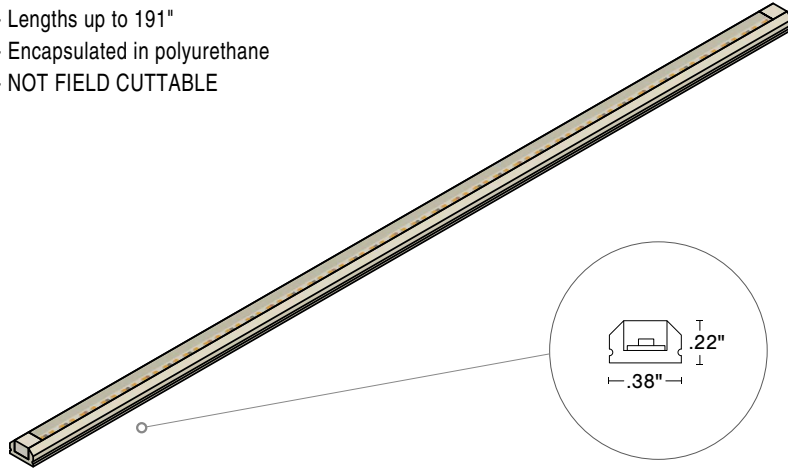
Q-CAP Flexible Fixtures - MICRO 5 SERIES



## Rated

### DRY

- Lengths up to 191"
- Encapsulated in polyurethane
- NOT FIELD CUTTABLE

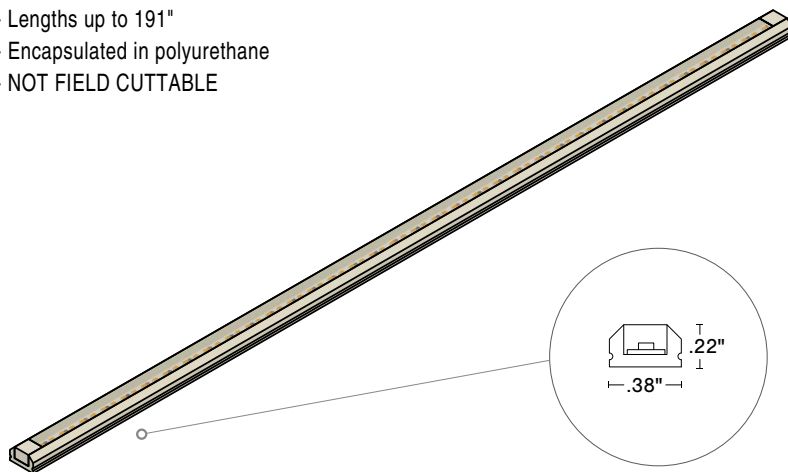


## COMPATIBLE CONNECTORS



### WET

- Lengths up to 191"
- Encapsulated in polyurethane
- NOT FIELD CUTTABLE



## COMPATIBLE CONNECTORS



# NEXUS-SW

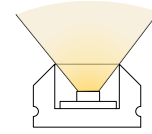
Q-CAP Flexible Fixtures - MICRO 5 SERIES



## Lens



## Light Orientation



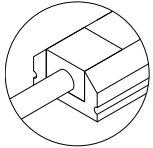
## Connectors

BW



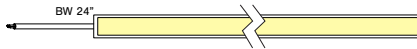
BARE WIRE 24"

## Type



.0" added at end

S1 - Input only



P1 - Input/Output



### Connectors/Wire

#### BARE WIRE

- Belden wire 22 AWG
- Outdoor rated
- 24" Standard length

BW



BARE WIRE

### Related Products

Q-MINI-J\*

Sold: Individually



Junction box that allows for splicing of LED lead wires

\*Full ordering guide available for this product in the [accessories](#) section of website