

SCENE DONGLE

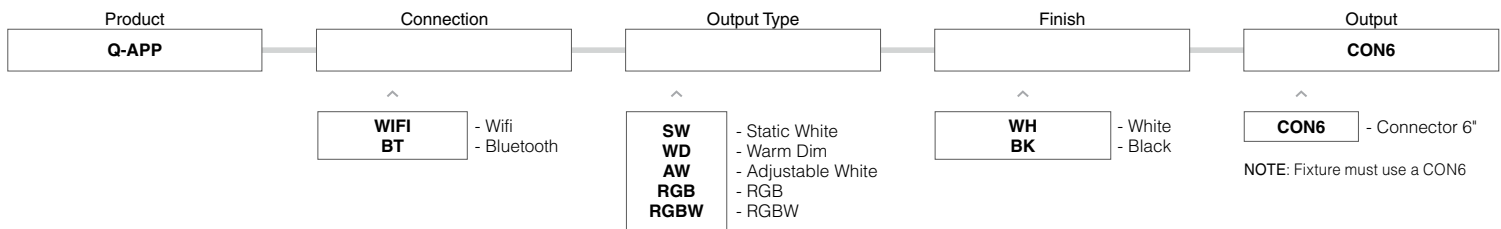
Accessories - SCENE App



The SCENE dongle is a Wi-Fi or Bluetooth based controller for a variety of lighting installations. The SCENE dongle is available to control Static White, Warm Dim, Adjustable White, RGB, and RGBW lighting fixtures. The dongle offers easy connectivity to the SCENE app (available for either iPhone or Android systems) and allows full control of your lighting from your smart device. The application's device panels provide a clean simple interface unique to each lighting fixture. Within the SCENE app, scenes or a schedule can be created to automate the control of the lighting connected to the SCENE dongle allowing for transitions to presets or on demand responses.

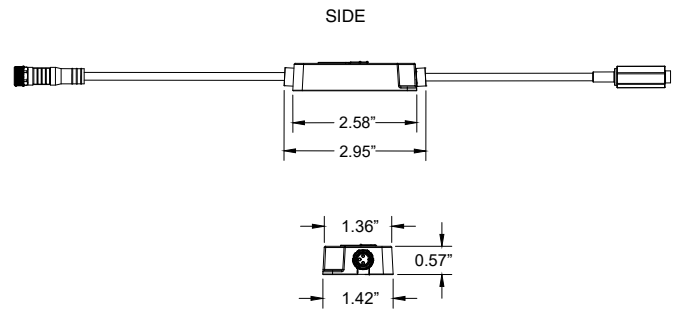
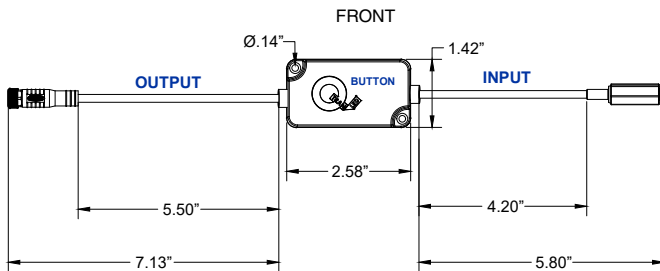


Part Number Builder



BUY A FULL 5 PACK OF ANY SAME MODEL AND RECEIVE A DISCOUNT

Dimensions



Features:

- Output to any Q-Tran Lighting fixture
- iPhone/Android Apps to set colors/effects
- Alexa and Google Home compatible
- Easy to control lighting in entire home with one app
- Can control up to 60W of Static White lighting per controller
- Can control up to 96W of Dynamic White, RGB, or RGBW lighting per controller
- Multi-room and multi-home control to intelligently group fixtures
- Easily reset with 1 button function
- Intelligent app control unique to each fixture type
- Easily connectable Wi-Fi and Bluetooth control

Specifications:

- Constant voltage 24VDC input
- Can add hundreds of scenes to customize lighting presets
- Indoor only (IP20)
- Operating Temp: -40°F to 105°F
- California Consumer Privacy Act (CCPA) compliant for privacy and data protection
- Data encryption: AES-128 is adopted for data content encryption
- Transmission encryption: TLS1.2 data encryption transmission protocol and mandatory authentication

