

# iQ-DMX-STICK-GA2

Accessories - Control



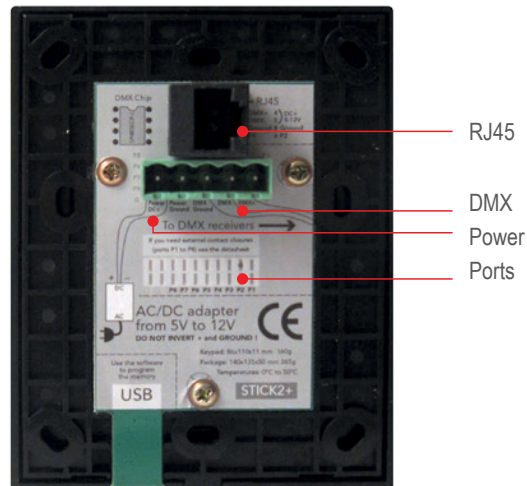
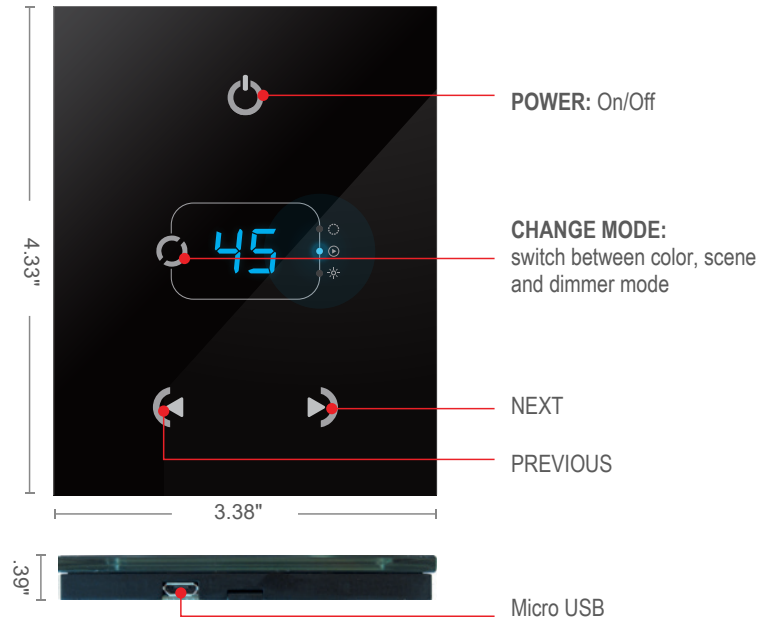
iQ-DMX-STICK-GA2 controller is a DMX based controller aimed at architectural lighting installations requiring an advanced level of programming options (color changing effects, specific colors etc). The controller has been engineered to meet the needs of lighting designers, while providing a clean and user-friendly panel. Featuring an on/off button and 4 touch sensitive buttons (on/off, mode, previous, next)

Use ESA2 software to control your lighting scenes on your PC or Mac Computer. This robust controller is capable of storing up to 99 scenes in multi-rooms, 4 of which can be recalled on the actual controller itself. iQ-DMX-STICK-GA2 is an ideal solution for hotels, homes and public environments.

## Features

- DMX512 Output
- Windows / Mac software to set dynamic colors / effects
- 512 DMX channels. Control 170 RGB fixtures
- Store up to 99 dynamic or static scenes
- 4 touch-sensitive buttons. No mechanical parts
- Live setting of the intensity and color of a scene
- Sleek Black / White glass design
- Micro-usb, Power (2pins), DMX (3pins), 8 dry contact ports for programming and control with a 5V Output Relay
- Live Control: Color and Dimmer
- 5-10VDC 0.3A Input
- 8 dry contact trigger ports on PCB and 2 on RJ45
- Multi-zone 76K memory
- Operating Temperature: 32°F - 122°F
- Dimensions: 3.38" x 4.33" x 0.39"
- Weight: 0.32 lbs
- EC, EMC, ROHS, ETL, UL Standards (some are in progress)

## Dimensions



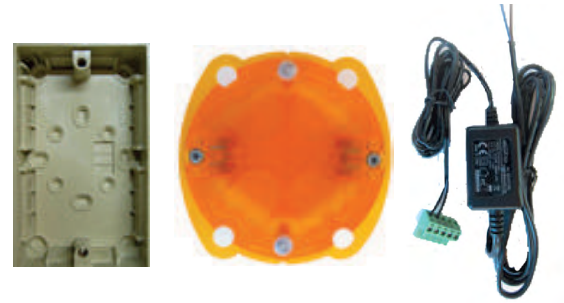
# INSTALLATION

Accessories - iQ-DMX-STICK-GA2



## 1 MOUNT AN ELECTRICAL BOX INSIDE THE WALL

The controller can be installed in a standard electrical backbox. This box is usually 3.29" high and 2.36" wide. You can insert the AC/DC adapter inside or outside the backbox.



## 2 CONNECT THE WIRES

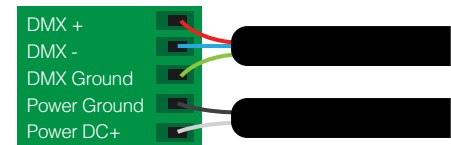
**POWER:** Connect a 5-10V 0.6A AC/DC supply. Be sure to not invert the + and the ground.

**DMX:** Connect the DMX cable to the lighting receivers (LEDs, Dimmers, Fixtures..) (for XLR: 1 = ground, 2 = DMX-, 3 = DMX+) There are 2 ways to connect the power and DMX:

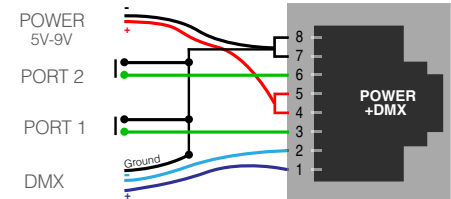
### NOTE:

- Check Pin Configurations. Applying Power To The DMX Input Will Damage The Controller.
- Make Sure The Controller Is Mounted Flat Without Obstructions From Behind As This Can Push Apart The Glass .

### Connector Block



### RJ45



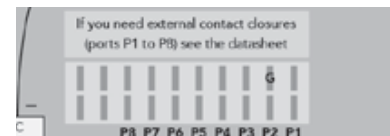
## 3 MOUNT AN ELECTRICAL BOX INSIDE THE WALL

- Plug the green connector block or RJ45 cable.
- Mount the back side of the interface on the wall with 2 or more screws.
- Close the unit by clipping the front panel onto the back plate.
- Wait 30 seconds for the touch sensitivity to adjust.

### Other Connections

#### 20 PIN CMS CONNECTOR FOR PORTS

- remove the sticker
- mount a 20 pin surface connector (CMS)



#### 5 PIN CONNECTORS FOR PORTS

- remove the sticker
- solder the port connections directly to the PCB



#### DMX CHIP

- remove the sticker
- solder the DMX chip to the 8 pin connector on the right of the RJ45 socket. Be sure that the

