

iQ-PH-QD1

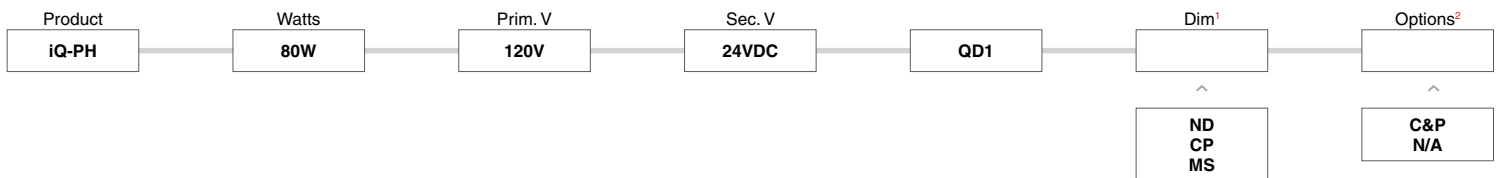
LED POWER SUPPLY 80W



Q-Tran's iQ-PH phase controlled driver with built in RF dimmer, is perfect for retrofit applications and applications where you want the ability to dim your LED products, without the need to install a wall box dimmer. The Q-PH with dimmer, is a driver-dimmer combination, designed to be mounted out of site and controlled via remote or smart phone/tablet. (Smart phone and tablet apps provided by 3rd party)



Part Number Builder



Technical Information

NOTE: The LED drivers provide a constant voltage output for operating LED systems requiring 24VDC

MODEL #	CHANNEL OUTPUT	OUTPUT				MAX OUTPUT POWER PER CHANNEL (W)	RATED OUTPUT POWER	
		VOUT (VDC)	Loading Current (w/dimmer) per channel (A)		Loading Current (w/out) per channel (A)		MAX	
			MIN	MAX	MIN			MAX
iQ-PH-80-120/24-QD1	1	24	1.16	3.30	0.17	3.30	80	

¹ Dim

ND No Dimmer
CP Caseta Pro (PD-10NXD)
MS Maestro (MRF2-6ELV-120)

² Options

C&P Cord & Plug

Voltage Drop Chart

VDC	Watts (W)	10 AWG (5.6mm ²)	12 AWG (3.3mm ²)	14 AWG (3.0mm ²)	16 AWG (1.3mm ²)	18 AWG (0.78mm ²)	20 AWG (0.50mm ²)	22 AWG (0.33mm ²)	24 AWG (0.22mm ²)	26 AWG (0.13mm ²)
24	17	940'	591'	372'	234'	147'	92'	58'	37'	23'
	25	629'	396'	249'	157'	98'	62'	39'	24'	15'
	40	384'	242'	152'	96'	60'	38'	24'	15'	9'
	80	180'	113'	71'	45'	28'	18'	11'	7'	4'

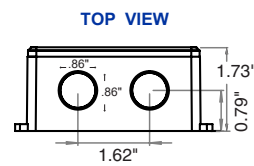
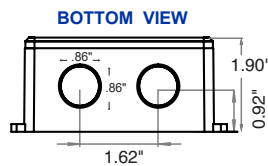
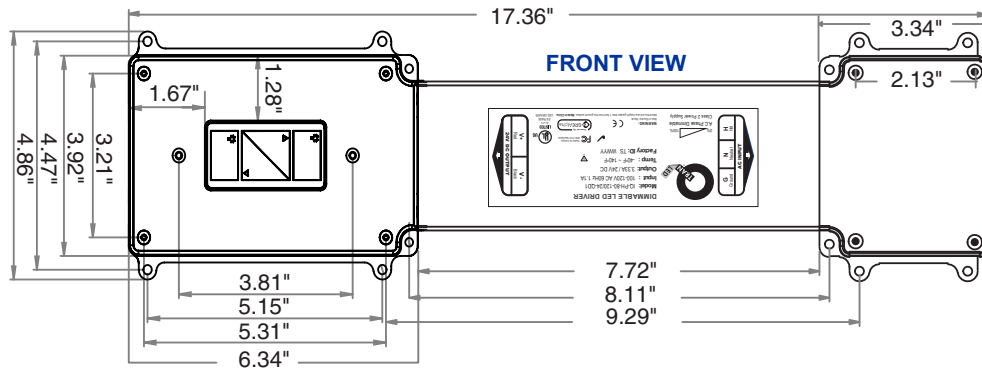
*Distances are based on a 5% Voltage drop max.

• This product must be installed in accordance with the applicable installation code by a person familiar with the construction and operation of the product and the hazards involved



iQ-PH-QD1

LED POWER SUPPLY 80W



- Integral wiring compartments for reduced installation costs
- Active Power Factor Correction, PF>0.9
- Energy Star Compliant
- Completely potted design, no venting required
- Operating temperature range: -40 to +60°C (-40 to +140 °F)
- Constant voltage



Specifications

Input	Min	Nom	Max
Voltage (RMS)	100	120	130
Frequency (Hz)	47	50/60	63
Power Factor	0.9	---	---

Output	Min	Nom	Max
Line Regulation (%)	-10	---	10
Load Regulation (%)	---	---	5

Environmental	Min	Nom	Max
Storage Temperature (°C)	-40	---	85
Operating Temperature	-40	---	60
Relative Humidity (%)	5	---	95
MTBF (Hours @ 25°C (77°F), Full Load)	80,000	---	---

Expected Lifetime	Temp
50,000 hours	65°C
30,000 hours	75°C

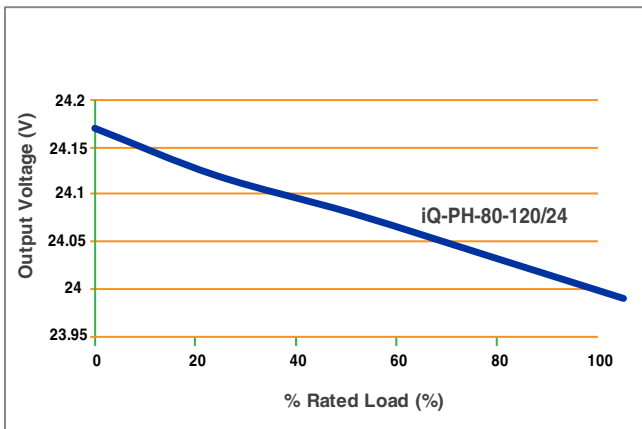
Protections

- Short Circuit Protection (SCP)
- Over Voltage Protection (OVP)
- Over Current Protection (OCP)
- Over Temperature Protection (OTP)
- Hiccup-Mode, Auto-Recovery upon removal of short
- 105% of Voltage (typ) Min

Compliance/Safety

- EMI/RFI : ISPR-22 Class B
: FCC part 15 Class B
: EN55015, EMC
- Safety : UL 1012, 1310 Class 2, 8750, 879
: CSA C22.2 NO. 107.1
: CE (IEC/EN61347-1, IEC/EN61347-2-13)

OUTPUT VOLTAGE vs. LOAD



INSTALLATION

LED POWER SUPPLY - iQ-PH-QD1

