



PHASE CONTROLLED DRIVER
iQ-PH-80-120/24-QD1
 WITH BUILT IN RF DIMMER

Q-Tran's iQ-PH phase controlled driver with built in RF dimmer, is perfect for retrofit applications and applications where you want the ability to dim your LED products, without the need to install a wall box dimmer. The IQ-PH with dimmer, is a driver-dimmer combination, designed to be mounted out of site and controlled via remote or smart phone/tablet. (Smart phone and tablet apps provided by 3rd party)

ORDERING GUIDE

	Watts	Prim. V	Sec. V	Dim*	Option
iQ-PH	- 80	- 120	/ 24	- QD1	- <input type="text"/>

C&P: Cord & Plug

*ND = No Dimmer
 CP = Caseta Pro (PD-10NXD)
 MS = Maestro (MRF2-6ELV-120)
 Others dimmers can be used. Contact Q-Tran for options.

The iQ-PH is an ideal Constant Voltage electronic dimmable power supply for interior linear LED applications. It is capable of providing full-range 0-100% flicker-free dimming using. Available in 80W at 24VDC and is UL Listed and Class II Rated.

Driver Features

- Integral wiring compartments for reduced installation costs
- Active Power Factor Correction, PF>0.9
- Energy Star Compliant
- Built-in protection:
 - SCP** (Short Circuit Protection),
 - OTP** (Over Temperature Protection),
 - OVP** (Over Voltage Protection),
 - OCP** (Over Current Protection)
- Completely potted design, no venting required
- Operating temperature Range: -40 to +60°C (-40 to +140 °F)
- Constant Voltage



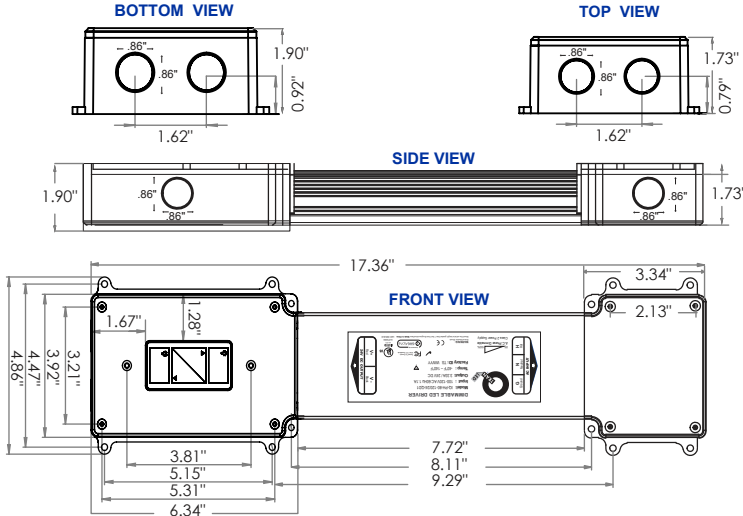
NOTE: The LED drivers provide a constant voltage output for operating LED systems requiring 24V DC

MODEL #	CHANNEL OUTPUT	OUTPUT				MAX OUTPUT POWER PER CHANNEL (W)	RATED OUTPUT POWER	
		VOUT (VDC)	Loading Current (w/ dimmer)per Channel (A)		Loading Current (w/out dimmer)per Channel (A)			
			MIN	MAX	MIN			MAX
iQ-PH-80-120/24-QD1	1	24	1.16	3.30	0.17	3.30	79.2	80

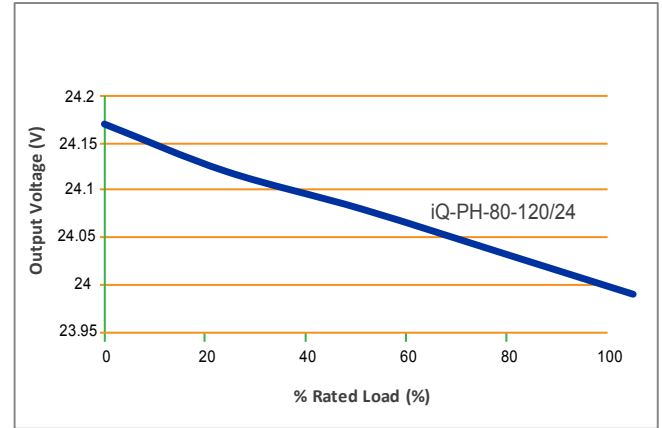
20181024-V1

PROJECT NAME	DATE	COMPANY	TYPE	NOTE

DIMENSIONS & SPECIFICATIONS



OUTPUT VOLTAGE vs. LOAD



	Min	Nom	Max
Input			
▪ Voltage (RMS)	100	120	130
▪ Frequency (Hz)	47	50/60	63
▪ Power Factor	0.9	----	----
Output			
▪ Line Regulation (%)	-10	----	10
▪ Load Regulation (%)	----	----	5
Environmental			
▪ Storage Temperature (°C)	-40	----	85
▪ Operating Temperature (°C)	-40	----	60
▪ Relative Humidity (%)	5	----	95
▪ MTBF (Hours @ 25°C (77°F), Full Load)	80,000	----	----

Protections

- Short Circuit Protection (SCP) : Hiccup-Mode, Auto-Recovery upon removal of short
- Over Voltage Protection (OVP) : 105% of Voltage (typ) Min
- Over Current Protection (OCP) : Hiccup-Mode
- Over Temperature Protection (OTP) : Shutdown with Auto-Recovery

Expected Lifetime

- Lifetime (Hours)

	Lifetime
65°C	50,000
75°C	30,000

Compliance / Safety

- EMI / RFI : ISPR-22 Class B
: FCC part 15 Class B
: EN55015, EMC
- Safety : UL 1012, 1310 Class 2, 8750, 879
: CSA C22.2 NO. 107.1
: CE (IEC/EN61347-1, IEC/EN61347-2-13)

WIRE LENGTH TABLE

		TOTAL LENGTH								
VDC	WATTS (W)	10 AWG (5.6mm ²)	12 AWG (3.3mm ²)	14 AWG (2.0mm ²)	16 AWG (1.3mm ²)	18 AWG (0.78mm ²)	20 AWG (0.50mm ²)	22 AWG (0.33mm ²)	24 AWG (0.20mm ²)	26 AWG (0.13mm ²)
24	17	940'	591'	372'	234'	147'	92'	58'	37'	23'
	25	629'	396'	249'	157'	98'	62'	39'	24'	15'
	40	384'	242'	152'	96'	60'	38'	24'	15'	9'
	80	180'	113'	71'	45'	28'	18'	11'	7'	4'

*Distances are based on a 5% Voltage drop max.

- This product must be installed in accordance with the applicable installation code by a person familiar with the construction and operation of the product and the hazards involved.

RoHS 2011/95/EU FC Tested To Comply With FCC Standards





INSTALLATION INSTRUCTION

