



PHASE CONTROLLED DRIVER
iQ-PH-80-120/24-QD1
 WITH BUILT IN RF DIMMER

Q-Tran's iQ-PH phase controlled driver with built in RF dimmer, is perfect for retrofit applications and applications where you want the ability to dim your LED products, without the need to install a wall box dimmer. The IQ-PH with dimmer, is a driver-dimmer combination, designed to be mounted out of site and controlled via remote or smart phone/tablet. (Smart phone and tablet apps provided by 3rd party)

ORDERING GUIDE

| | | | | | |
|--------------|-------------|--------------|-------------|--------------|------------------------|
| | Watts | Prim. V | Sec. V | Dim* | Option |
| iQ-PH | - 80 | - 120 | / 24 | - QD1 | - <input type="text"/> |

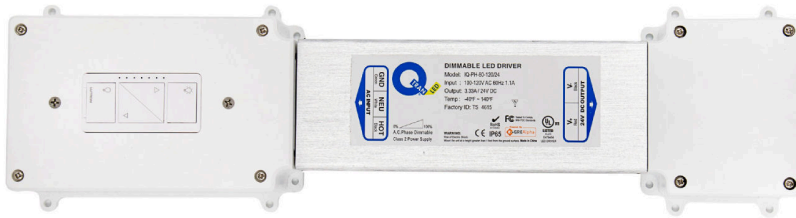
C&P: Cord & Plug

*ND = No Dimmer
 CP = Caseta Pro (PD-10NXD)
 MS = Maestro (MRF2-6ELV-120)
 Others dimmers can be used. Contact Q-Tran for options.

The iQ-PH is an ideal Constant Voltage electronic dimmable power supply for interior linear LED applications. It is capable of providing full-range 0-100% flicker-free dimming using. Available in 80W at 24VDC and is UL Listed and Class II Rated.

Driver Features

- Integral wiring compartments for reduced installation costs
- Active Power Factor Correction, PF>0.9
- Energy Star Compliant
- Built-in protection:
 - SCP** (Short Circuit Protection),
 - OTP** (Over Temperature Protection),
 - OVP** (Over Voltage Protection),
 - OCP** (Over Current Protection)
- Completely potted design, no venting required
- Operating temperature Range: -40 to +60°C (-40 to +140 °F)
- Constant Voltage



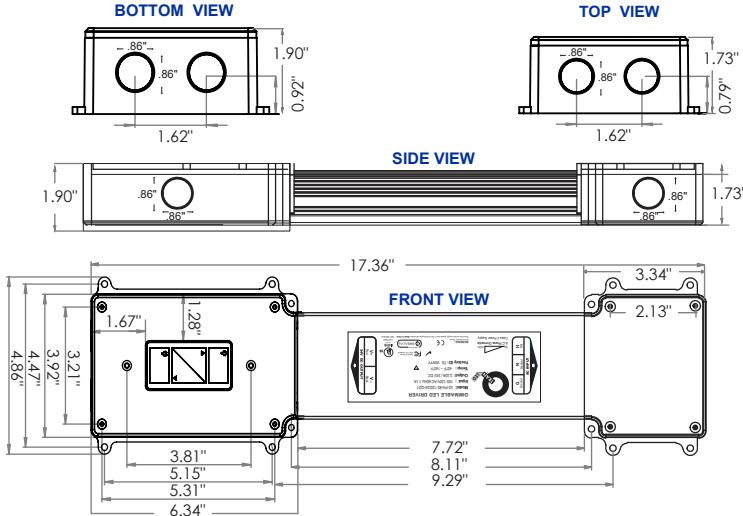
NOTE: The LED drivers provide a constant voltage output for operating LED systems requiring 24V DC

| MODEL # | CHANNEL OUTPUT | OUTPUT | | | | MAX OUTPUT POWER PER CHANNEL (W) | RATED OUTPUT POWER | |
|---------------------|----------------|------------|--|------|---|----------------------------------|--------------------|-----|
| | | VOUT (VDC) | Loading Current (w/ dimmer)per Channel (A) | | Loading Current (w/out dimmer)per Channel (A) | | | |
| | | | MIN | MAX | MIN | | | MAX |
| iQ-PH-80-120/24-QD1 | 1 | 24 | 1.16 | 3.30 | 0.17 | 3.30 | 79.2 | 80 |

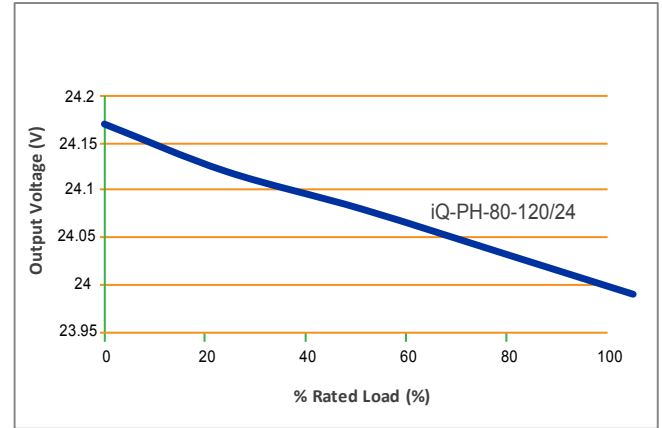
20181024-V1

| PROJECT NAME | DATE | COMPANY | TYPE | NOTE |
|--------------|------|---------|------|------|
| | | | | |

DIMENSIONS & SPECIFICATIONS



OUTPUT VOLTAGE vs. LOAD



| | Min | Nom | Max |
|---|--------|-------|------|
| Input | | | |
| ▪ Voltage (RMS) | 100 | 120 | 130 |
| ▪ Frequency (Hz) | 47 | 50/60 | 63 |
| ▪ Power Factor | 0.9 | ---- | ---- |
| Output | | | |
| ▪ Line Regulation (%) | -10 | ---- | 10 |
| ▪ Load Regulation (%) | ---- | ---- | 5 |
| Environmental | | | |
| ▪ Storage Temperature (°C) | -40 | ---- | 85 |
| ▪ Operating Temperature (°C) | -40 | ---- | 60 |
| ▪ Relative Humidity (%) | 5 | ---- | 95 |
| ▪ MTBF (Hours @ 25°C (77°F), Full Load) | 80,000 | ---- | ---- |

Protections

- Short Circuit Protection (SCP) : Hiccup-Mode, Auto-Recovery upon removal of short
- Over Voltage Protection (OVP) : 105% of Voltage (typ) Min
- Over Current Protection (OCP) : Hiccup-Mode
- Over Temperature Protection (OTP) : Shutdown with Auto-Recovery

Expected Lifetime

- Lifetime (Hours)

| | Lifetime |
|------|----------|
| 65°C | 50,000 |
| 75°C | 30,000 |

Compliance / Safety

- EMI / RFI : ISPR-22 Class B
: FCC part 15 Class B
: EN55015, EMC
- Safety : UL 1012, 1310 Class 2, 8750, 879
: CSA C22.2 NO. 107.1
: CE (IEC/EN61347-1, IEC/EN61347-2-13)

WIRE LENGTH TABLE

| | | TOTAL LENGTH | | | | | | | | |
|-----|-----------|------------------------------|------------------------------|------------------------------|------------------------------|-------------------------------|-------------------------------|-------------------------------|-------------------------------|-------------------------------|
| VDC | WATTS (W) | 10 AWG (5.6mm ²) | 12 AWG (3.3mm ²) | 14 AWG (2.0mm ²) | 16 AWG (1.3mm ²) | 18 AWG (0.78mm ²) | 20 AWG (0.50mm ²) | 22 AWG (0.33mm ²) | 24 AWG (0.20mm ²) | 26 AWG (0.13mm ²) |
| 24 | 17 | 940' | 591' | 372' | 234' | 147' | 92' | 58' | 37' | 23' |
| | 25 | 629' | 396' | 249' | 157' | 98' | 62' | 39' | 24' | 15' |
| | 40 | 384' | 242' | 152' | 96' | 60' | 38' | 24' | 15' | 9' |
| | 80 | 180' | 113' | 71' | 45' | 28' | 18' | 11' | 7' | 4' |

*Distances are based on a 5% Voltage drop max.

- This product must be installed in accordance with the applicable installation code by a person familiar with the construction and operation of the product and the hazards involved.

RoHS 2011/95/EU FC Tested To Comply With FCC Standards

