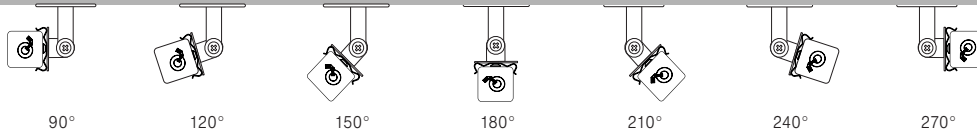


PIVOT BRACKET

ACCESSORIES - EXTRUSIONS/FIXTURES



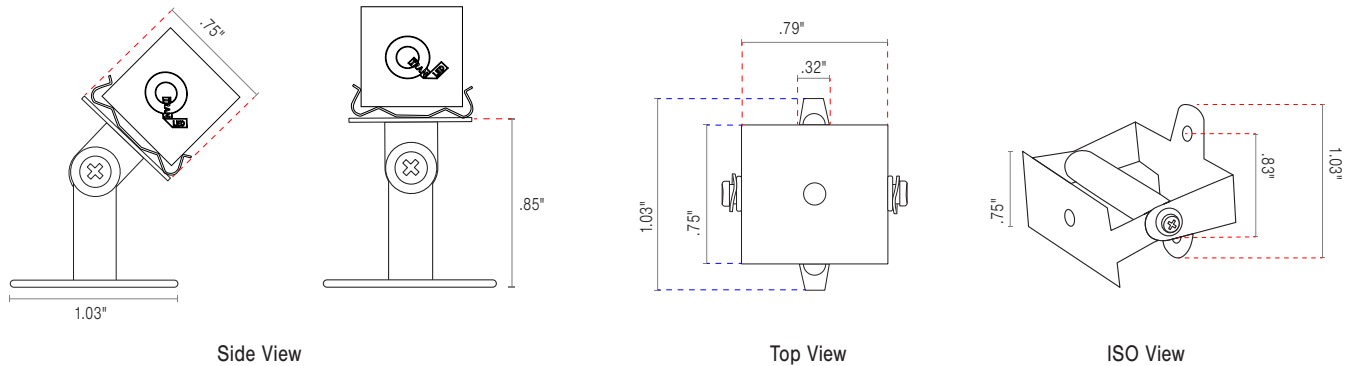
PRODUCT	FINISH	QUANTITY
Q-PIVOT	SST	
	SST - Stainless Steel	Sold in pairs



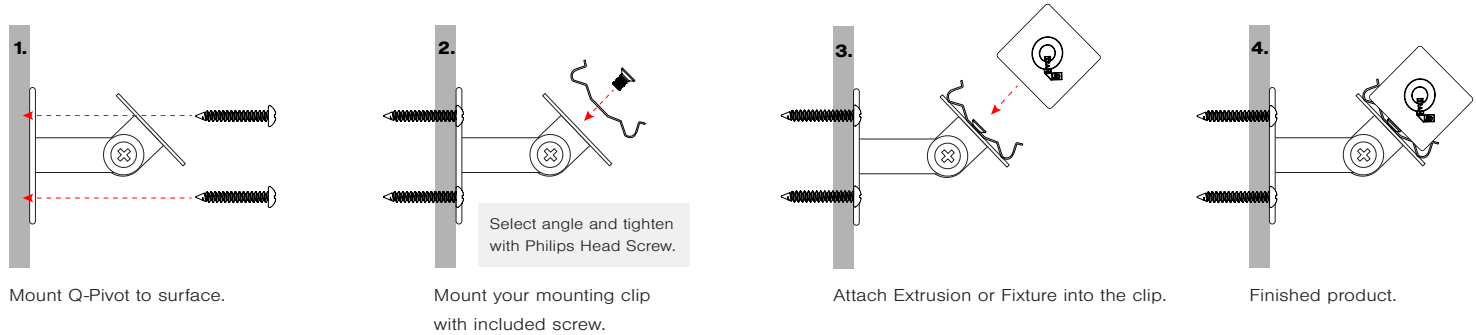
FEATURES

- Install Pivot Bracket to a wall surface
- Clip mounts to Pivot Bracket and adjust to desired angle
- Indoor use only
- Easy to adjust from 90° to 270°
- #4-40x3/16 Flat Head Screw for bracket included
- 2#4x3/4 Pan Head Screw for each bracket included

DIMENSIONS



MOUNTING



NOTES: • Field modifications are not covered under Q-Tran warranty

PROJECT NAME	DATE	COMPANY	TYPE	NOTE

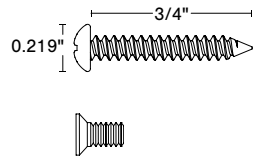
INSTALLATION - PIVOT BRACKET

ACCESSORIES - EXTRUSIONS/FIXTURES



INCLUDED HARDWARE:

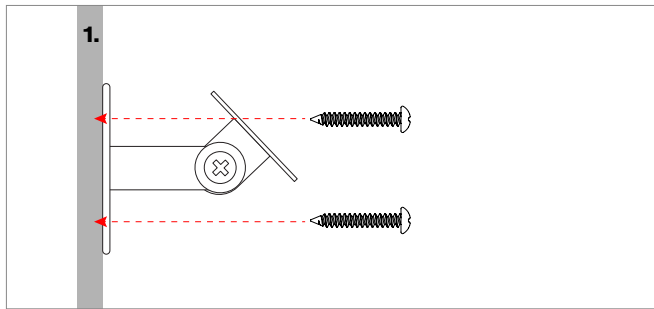
- #4x3/4 Pan Head Screw
- #4-40x3/16 Flat Head Screw



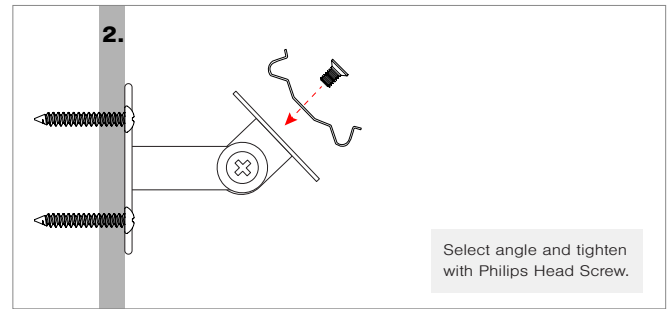
REQUIRED HARDWARE TOOLS:

- Drill
- Screwdriver

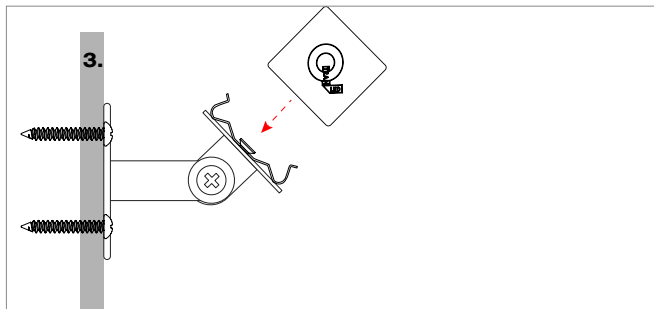
MOUNTING



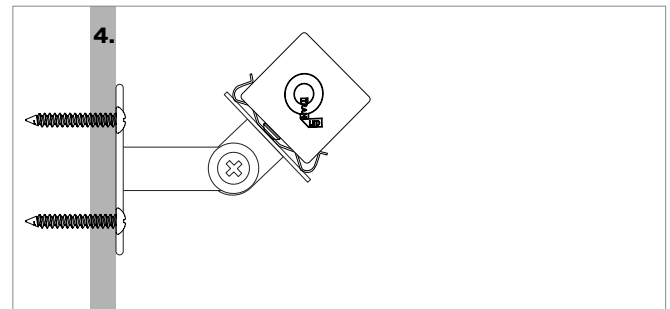
Mount Q-Pivot to surface.



Mount your mounting clip with included screw.



Attach Extrusion or Fixture into the clip.



Finished product.



NOTES: • Field modifications are not covered under Q-Tran warranty