



QSET-eLED

QSET-eLED is Q-Tran's direct burial and outdoor rated electronic power supply, utilizing the Xitanium driver from Advance. These drivers provide a 12VDC or 24VDC, constant voltage output, with optional 0-10V dimming modules.

FEATURES

- Dimensions: 11.0"L x 10.0"W x 2.5"D
- Q-Vault-5 enclosure can fit up to two Q-SET-eLED
- Q-VAULT-5 is IP68 rated

FEATURES

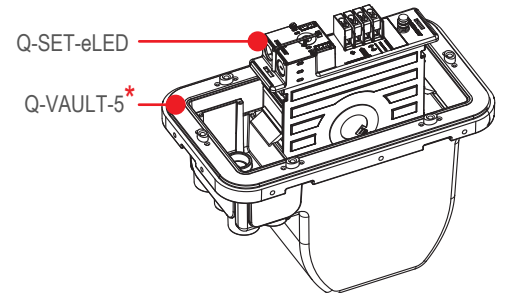
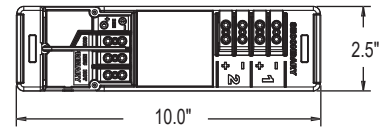
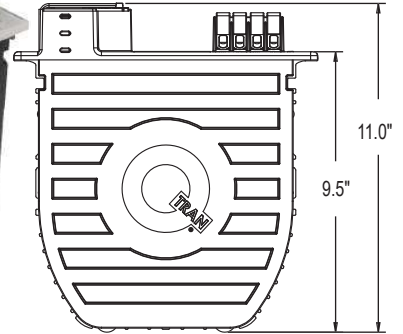
- Limited output voltage and current, plus isolation for safe operation
- Dimmable w/ additional 0-10V Dimming Module
- Fully potted driver(s) for moisture resistance
- Suitable for dry, damp and wet locations
- Primary Voltage - Universal (120-277V)
- Wide operating temperature range: 4°F ~ +104°F
- Fits up to (2): 60W 12VDC or (2):100W 24VDC driver(s) and 0-10V dimming module(s) in the same housing
- Class 2 Output
- CSA #239924

Low Voltage Lighting Systems

- : CSA Class 3426 04 and Class 3426 94
- : CSA Standard C22.2 No. 250.0-08 - Luminaires
- : ANSI/ UL Standard 2108

Landscape Lighting Systems

- : CSA Class 3425 15 and Class 3425 95
- : CSA Standard C22.2 No. 250.7-07- Extra-Low-Voltage Landscape Lighting Systems
- : ANSI/ UL Standard 1838-Low Voltage Landscape Lighting Systems
- : ANSI/ UL Standard 379-Power Units for Fountain, Swimming Pool, and Spa Luminaires



(Must be purchased with Q-VAULT-5)
* One Q-VAULT-5 can fit two Q-SET-eLED

| TOTAL LENGTH | | | | | | | | | | |
|--------------|-----------|------------------------------|------------------------------|------------------------------|------------------------------|-------------------------------|-------------------------------|-------------------------------|-------------------------------|-------------------------------|
| VDC | Watts (W) | 10 AWG (5.6mm ²) | 12 AWG (3.3mm ²) | 14 AWG (2.0mm ²) | 16 AWG (1.3mm ²) | 18 AWG (0.78mm ²) | 20 AWG (0.50mm ²) | 22 AWG (0.33mm ²) | 24 AWG (0.20mm ²) | 26 AWG (0.13mm ²) |
| 12 | 12 | 631' | 397' | 250' | 157' | 99' | 62' | 39' | 25' | 15' |
| | 25 | 231' | 145' | 91' | 57' | 36' | 23' | 14' | 9' | 6' |
| | 60 | 14' | 9' | 6' | | | | | | |
| 24 | 17 | 1795' | 1129' | 710' | 446' | 281' | 177' | 111' | 70' | 44' |
| | 25 | 1134' | 713' | 449' | 282' | 177' | 112' | 70' | 44' | 28' |
| | 40 | 619' | 389' | 245' | 154' | 97' | 61' | 38' | 24' | 15' |
| | 80 | 261' | 164' | 103' | 65' | 41' | 26' | 16' | 10' | 6' |
| | 100 | 168' | 106' | 67' | 42' | 26' | 17' | 10' | 7' | |

*Distances are based on a 5% Voltage drop max.

- This product must be installed in accordance with the applicable installation code by a person familiar with the construction and operation of the product and the hazards involved.
- If dimming with optional 0-10V dimming module, use a dimmer rated for 0-10V operation

| ORDERING GUIDE | | | | | |
|-----------------------------------|------------------|-----------------------------|-----------------------|-----------------------|------|
| Model | Max Output (W) | Prim. V | Sec. V | DIM | Opts |
| QSET-eLED | - | UNV | / | + | - |
| 1 Size | Max Load (Watts) | Secondary Voltage(12/24VDC) | Max Prim. Amps @ 120V | Max Prim. Amps @ 277V | |
| | 60W | 1x60W 12VDC | 0.9 A | 0.4 A | |
| | 120W | 2x60W 12VDC | 1.4 A | 0.6 A | |
| | 100W | 1x100W 24VDC | 1.1 A | 0.5 A | |
| | 200W | 2x100W 24VDC | 2.2 A | 1.0 A | |
| 2 Primary Voltage | | | | | |
| UNV: 120V - 277V | | | | | |
| 3 Secondary Voltage | | | | | |
| 12VDC 24VDC | | | | | |
| 4 Dimmer | | | | | |
| 0-10V | | | | | |
| 5 Options | | | | | |
| PS: Pool & Spa | | | | | |
| Ordering Example | | | | | |
| QSET-eLED-100-UNV/24+0-10V | | | | | |

20190326-V1

| PROJECT NAME | DATE | COMPANY | TYPE | NOTE |
|--------------|------|---------|------|------|
| | | | | |




SPECIFICATIONS

SPECIFICATIONS

| Input | 12VDC | | | 24VDC | | |
|---|--|------|------|-------|------|------|
| | <ul style="list-style-type: none"> Input Voltage (Vrms) Input current, max (Arms) Inrush Current, max* (Apk) Input Frequency (Hz) Input Power (W) | 120 | 230 | 277 | 120 | 230 |
| | 0.58 | 0.30 | 0.25 | 0.98 | 0.51 | 0.42 |
| | | | | 45 | 90 | 100 |
| | 50/60 | | | 50/60 | | |
| | 70 | | | 117 | | |
| Output | | | | | | |
| | | | | | | |
| <ul style="list-style-type: none"> Output Voltage, nom (V) Output Current (A) Output Power (W) Dimming 0-10V, max | 12 | | | 24 | | |
| | 5.0 | | | 4.1 | | |
| | 60 | | | 100 | | |
| | 2mA | | | | | |
| Environmental | Min | Nom | Max | Min | Nom | Max |
| | | | | | | |
| <ul style="list-style-type: none"> THD (%) PF (%) Case Temp (°C) | — | — | 20 | — | — | 20 |
| | 0.90 | --- | --- | 0.90 | --- | --- |
| | — | — | 0.90 | — | — | 90 |

*- 200us event

| Protections | |
|---|---|
| <ul style="list-style-type: none"> Short Circuit Protection (SCP) Overload Protection (OLP) Class 2 Output | |
| Compliance | |
| <ul style="list-style-type: none"> EMI Spec : FCC 47 Part 15 : CISPR 15 : CISPR 22 Class A CSA Certified : UL-2108 : UL-1838 : CSA C22.2 No 250.7-07 : CSA C22.2 No 250.0-08 |  |

PERFORMANCE

- Power Supply shall be rated for outdoor and direct burial use in Q-Vault 5 IP68 Listed Direct Burial Enclosure
- Power Supply shall be fully rated to operate low voltage load at listed wattage (No Derating Required)
- Power Supply shall limit voltage regulation to 5% or less of rated output voltage
- Power Supply shall have the ability to be dimmed using 0-10V Dimming
- Power Supply shall have universal input range of 120-277 Vrms
- Power Supply shall be rated for:
 - CSA Class 3425 15 and Class 3425 95 - Landscape Lighting System Components
 - CSA Class 3426 04 and Class 3426 94 - Low Voltage Lighting Systems
- Terminal blocks shall be made of tin plated copper with a voltage rating of 300V and a current rating of 50A
- Power Supply shall be fully potted in epoxy to limit water ingress
- Power Supply shall have short circuit protection (SCP)
- Power Supply shall have overload protection (OLP)
- Power Supply shall be live tested by manufacturer to ensure proper operation
- Power Supply Manufacturer shall offer minimum of 5 year warranty
- Housing for direct burial fixtures shall be IP68 Rated, with all sealing materials supplied by the manufacturer
- Housing for direct burial fixtures shall be rated for burial in soil, gravel and concrete



SPECIFICATIONS

