



# QSET-eLED

QSET-eLED is Q-Tran's direct burial and outdoor rated electronic power supply, utilizing the Xitanium driver from Advance. These drivers provide a 12VDC or 24VDC, constant voltage output, with optional 0-10V dimming modules.

## FEATURES

- Dimensions: 11.0"L x 10.0"W x 2.5"D
- Q-Vault-5 enclosure can fit up to two Q-SET-eLED
- Q-VAULT-5 is IP68 rated

## FEATURES

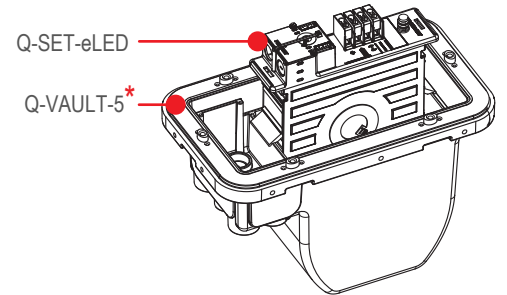
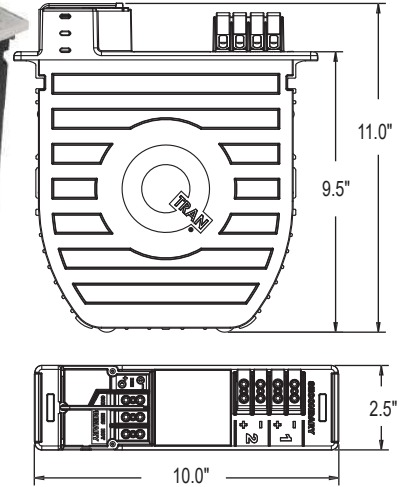
- Limited output voltage and current, plus isolation for safe operation
- Dimmable w/ additional 0-10V Dimming Module
- Fully potted driver(s) for moisture resistance
- Suitable for dry, damp and wet locations
- Primary Voltage - Universal ( 120-277V )
- Wide operating temperature range: 4°F ~ +104°F
- Fits up to (2): 60W 12VDC or (2):100W 24VDC driver(s) and 0-10V dimming module(s) in the same housing
- Class 2 Output
- CSA #239924

### Low Voltage Lighting Systems

- : CSA Class 3426 04 and Class 3426 94
- : CSA Standard C22.2 No. 250.0-08 - Luminaires
- : ANSI/ UL Standard 2108

### Landscape Lighting Systems

- : CSA Class 3425 15 and Class 3425 95
- : CSA Standard C22.2 No. 250.7-07- Extra-Low-Voltage Landscape Lighting Systems
- : ANSI/ UL Standard 1838-Low Voltage Landscape Lighting Systems
- : ANSI/ UL Standard 379-Power Units for Fountain, Swimming Pool, and Spa Luminaires



(Must be purchased with Q-VAULT-5)  
\* One Q-VAULT-5 can fit two Q-SET-eLED

TOTAL LENGTH										
VDC	Watts (W)	10 AWG (5.6mm <sup>2</sup> )	12 AWG (3.3mm <sup>2</sup> )	14 AWG (2.0mm <sup>2</sup> )	16 AWG (1.3mm <sup>2</sup> )	18 AWG (0.78mm <sup>2</sup> )	20 AWG (0.50mm <sup>2</sup> )	22 AWG (0.33mm <sup>2</sup> )	24 AWG (0.20mm <sup>2</sup> )	26 AWG (0.13mm <sup>2</sup> )
12	12	631'	397'	250'	157'	99'	62'	39'	25'	15'
	25	231'	145'	91'	57'	36'	23'	14'	9'	6'
	60	14'	9'	6'						
24	17	1795'	1129'	710'	446'	281'	177'	111'	70'	44'
	25	1134'	713'	449'	282'	177'	112'	70'	44'	28'
	40	619'	389'	245'	154'	97'	61'	38'	24'	15'
	80	261'	164'	103'	65'	41'	26'	16'	10'	6'
	100	168'	106'	67'	42'	26'	17'	10'	7'	

\*Distances are based on a 5% Voltage drop max.

- This product must be installed in accordance with the applicable installation code by a person familiar with the construction and operation of the product and the hazards involved.
- If dimming with optional 0-10V dimming module, use a dimmer rated for 0-10V operation

ORDERING GUIDE					
Model	Max Output (W)	Prim. V	Sec. V	DIM	Opts
QSET-eLED	-	UNV	/	+	-
1 Size	Max Load (Watts)	Secondary Voltage(12/24VDC)	Max Prim. Amps @ 120V	Max Prim. Amps @ 277V	
	60W	1x60W 12VDC	0.9 A	0.4 A	
	120W	2x60W 12VDC	1.4 A	0.6 A	
	100W	1x100W 24VDC	1.1 A	0.5 A	
	200W	2x100W 24VDC	2.2 A	1.0 A	
2 Primary Voltage					
UNV: 120V - 277V					
3 Secondary Voltage					
12VDC 24VDC					
4 Dimmer					
0-10V					
5 Options					
PS: Pool & Spa					
Ordering Example					
<b>QSET-eLED-100-UNV/24+0-10V</b>					

20190326-V1

PROJECT NAME	DATE	COMPANY	TYPE	NOTE



# SPECIFICATIONS

## SPECIFICATIONS

Input	12VDC			24VDC		
	<ul style="list-style-type: none"> <li>Input Voltage (Vrms)</li> <li>Input current, max (Arms)</li> <li>Inrush Current, max* (Apk)</li> <li>Input Frequency (Hz)</li> <li>Input Power (W)</li> </ul>	120	230	277	120	230
	0.58	0.30	0.25	0.98	0.51	0.42
				45	90	100
	50/60			50/60		
	70			117		
Output						
	12			24		
<ul style="list-style-type: none"> <li>Output Voltage, nom (V)</li> <li>Output Current (A)</li> <li>Output Power (W)</li> <li>Dimming 0-10V, max</li> </ul>	5.0			4.1		
	60			100		
	2mA					
Environmental	Min	Nom	Max	Min	Nom	Max
	—	—	20	—	—	20
<ul style="list-style-type: none"> <li>THD (%)</li> <li>PF (%)</li> <li>Case Temp (°C)</li> </ul>	0.90	---	---	0.90	---	---
	—	—	0.90	—	—	90

\*- 200us event

<b>Protections</b> <ul style="list-style-type: none"> <li>Short Circuit Protection (SCP)</li> <li>Overload Protection (OLP)</li> <li>Class 2 Output</li> </ul>
<b>Compliance</b> <ul style="list-style-type: none"> <li>EMI Spec :FCC 47 Part 15</li> <li>: CISPR 15</li> <li>: CISPR 22 Class A</li> <li>CSA Certified : UL-2108</li> <li>: UL-1838</li> <li>: CSA C22.2 No 250.7-07</li> <li>: CSA C22.2 No 250.0-08</li> </ul>



## PERFORMANCE

- Power Supply shall be rated for outdoor and direct burial use in Q-Vault 5 IP68 Listed Direct Burial Enclosure
- Power Supply shall be fully rated to operate low voltage load at listed wattage (No Derating Required)
- Power Supply shall limit voltage regulation to 5% or less of rated output voltage
- Power Supply shall have the ability to be dimmed using 0-10V Dimming
- Power Supply shall have universal input range of 120-277 Vrms
- Power Supply shall be rated for:
  - CSA Class 3425 15 and Class 3425 95 - Landscape Lighting System Components
  - CSA Class 3426 04 and Class 3426 94 - Low Voltage Lighting Systems
- Terminal blocks shall be made of tin plated copper with a voltage rating of 300V and a current rating of 50A
- Power Supply shall be fully potted in epoxy to limit water ingress
- Power Supply shall have short circuit protection (SCP)
- Power Supply shall have overload protection (OLP)
- Power Supply shall be live tested by manufacturer to ensure proper operation
- Power Supply Manufacturer shall offer minimum of 5 year warranty
- Housing for direct burial fixtures shall be IP68 Rated, with all sealing materials supplied by the manufacturer
- Housing for direct burial fixtures shall be rated for burial in soil, gravel and concrete



# SPECIFICATIONS

