

INSTALLATION INSTRUCTIONS

POWER SUPPLY - Q6M-DC+CAP



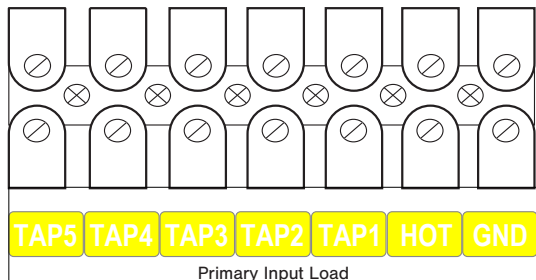
Primary Circuit Protection

- Primary Magnetic Circuit Breaker
- Primary Autotest Thermal Protector

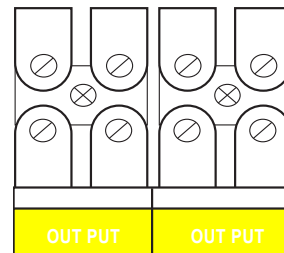
Secondary Circuit Protection

- Magnetic Circuit Breakers: 2
- Amps: 2.5A, 4A, 5A

PRIMARY (Line Voltage)



SECONDARY (Low Voltage)



Land Neutral on one Tap.
Chose either tap 1,2,3, 4 or 5

Land Hot

Land Ground

NOTE: Primary Input - connect the 120V hot into block labeled Hot. Connect the neutral wire into Tap 1 - Tap 5 depending on desired output Voltage.(Not to exceed 12V or 24V)

LABEL

Q6S-DC & Q6M-DC+CAP	INPUT VOLTAGE			OUTPUT VOLTAGE	
	120V	277V		12V	24V
Model #	Voltage (V)	Current (A)	Frequency (Hz)	Voltage (V)	Wattage (W)
Q6S-60DC	120 / 277	0.9	60	60	12/24
Q6S-120DC	120 / 277	1.8	60	120	12
Q6S-100DC	120 / 277	1.4	60	60	24
Q6S-200DC	120 / 277	2.3	60	100	24
Q6M-60DC+CAP	120 / 277	0.9	60	200	12/24
Q6M-100DC+CAP	120 / 277	1.4	60	100	24

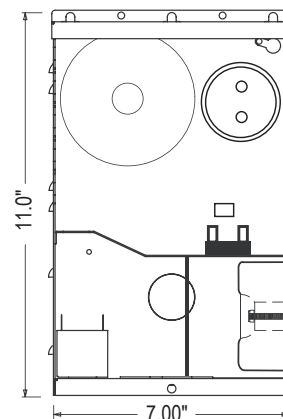
- SUITABLE FOR DAMP LOCATIONS CONVIENT AUX EMPLACEMENTS HUMIDE
- URFACE MOUNT ANY POSITION
- LOW VOLTAGE LED LIGHTING POWER SUPPLY CENTER
- FOR SUPPLY CONNECTIONS USE WIRE RATED FOR AT LEAST 75°C (167°F) LES FILS D'ALIMENTATION 75°C MIN
- DIMMER, IF USED, MUST BE MAGNETIC LOW VOLTAGE DIMMER
- MADE IN THE U.S.A

This product must be installed in accordance with the applicable installation code by a person familiar with the construction and operation of the product and the hazards involved.

LOW VOLTAGE LIGHTING SYSTEM

Q-Tran, Inc.
CLASS: 3425 - 15
3425 - 95
MILFORD, CT U.S.A.
(203) 367-8777
WWW.Q-TRAN.COM

CE PRODUIT DOIT ÊTRE INSTALLÉ SELON LE CODE D'INSTALLATION PERTINENT, PAR UNE PERSONNE QUI CONNAÎT BIEN LE PRODUIT ET SON FONCTIONNEMENT AINSI QUE LES RISQUES INHÉRENTS.



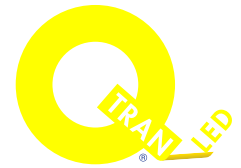
NOTE: All wiring to be Class I per National Electric Code (NEC). These installation instructions are intended for use with low voltage lighting. If you are installing the Q-Tran Q6 unit with a non-lighting system (ex. heated doors, audio systems, etc.), call the manufacturer of the system directly before installing.



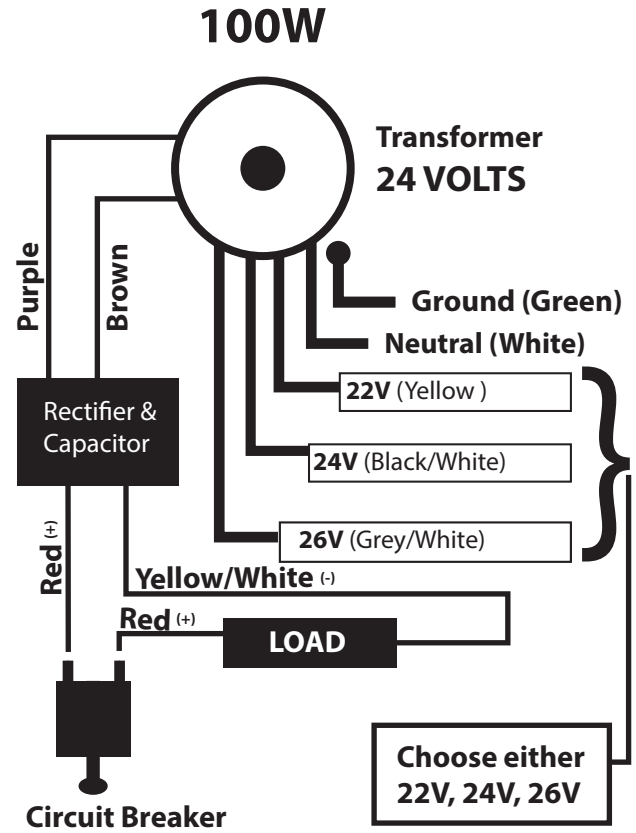
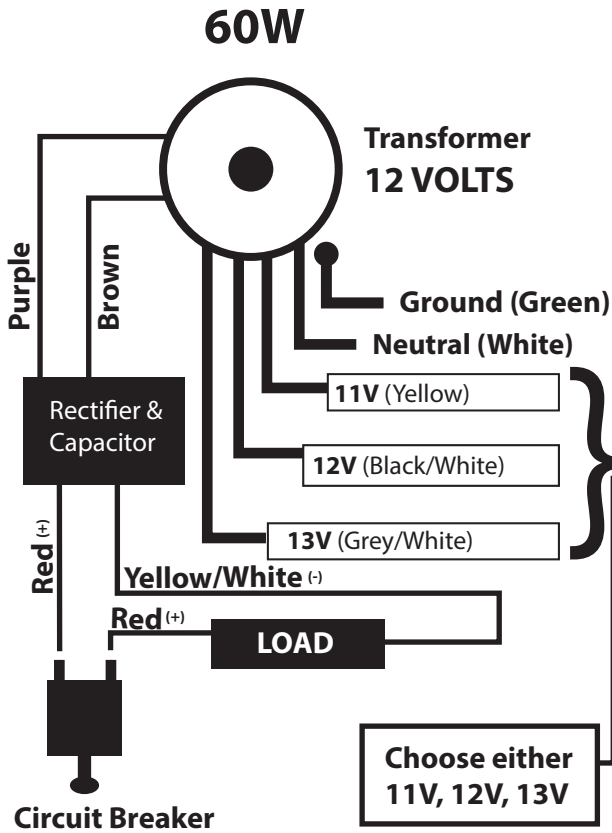
PROJECT NAME	DATE	COMPANY	TYPE	NOTE

INSTALLATION INSTRUCTIONS

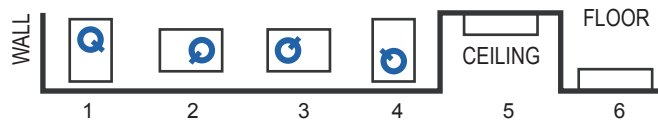
POWER SUPPLY - Q6M-DC+CAP



WIRING DIAGRAM



MOUNTING: 6 plane surface mount



NOTE: Rods not included.

LOW VOLTAGE LIGHTING POWER SUPPLY

- FOR INDOOR USE ONLY
- SURFACE MOUNT ANY POSITION
- SUITABLE FOR DAMP LOCATIONS
- TYPE IC RECESSED, INHERENTLY PROTECTED
- FOR SUPPLY CONNECTIONS USE WIRE RATED FOR AT LEAST 90 °C
- DIMMER, IF USED, MUST BE MAGNETIC LOW VOLTAGE DIMMER
- CERTIFIED TO STANDARDS ANSI/UL 2108
- USE DIMMERS RATED FOR MAGNETIC LOW VOLTAGE LOAD
- MADE IN THE U.S.A