



Q6M-DC+CAP

Housing Dimensions

- 18 - gauge steel enclosure:
11.0" L x 7.0" W x 4.5"H
- Knockouts: 7
- Color: White powder coating (Standard)
- (2)3/8" threaded rods. (Rods not included)

Toroidal Transformer - Dual Tap (DT)

- (3) Primary taps: 12, 13, 14VDC or 24, 26, 28VDC
- Loads may be connected to one (1) of the primary taps up to the full watt rating of the PSC.
- The advantage is that the PSC can be tapped to recover voltage drop and produce between 85%-100% light output.

NOTE: See voltage drop Calculator at www.q-tran.com

Secondary Circuit

- Up to two (2) magnetic circuit breaker
- Amps: 2.5A, 4A and 5A

NOTE: Breakers are sized to the feed load per N.E.C. Article 411 (not to exceed 25 amps per load). All wiring by the electrical contractor must be Class 1 compliant to N.E.C.

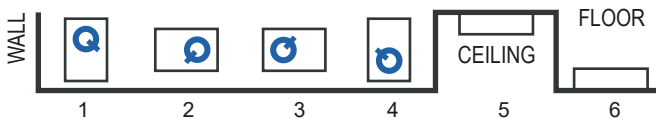
Toroidal Choke

- A choke or "Debuzzing Coil" reduces noise and in-rush current and is especially helpful when dimming. Choke is standard.

NOTE: Suspension rods are purchased separately and not from Q-Tran, Inc.

Mounting

- 6 plane surface mount
- Rod suspension (Two -3/8" threaded rods)

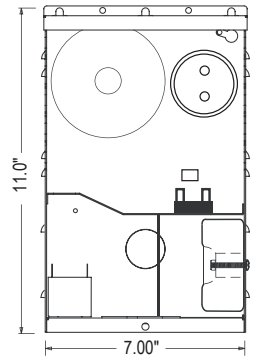


LOW VOLTAGE LIGHTING POWER SUPPLY

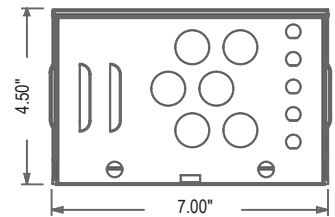
- FOR INDOOR USE ONLY
- SURFACE MOUNT ANY POSITION
- SUITABLE FOR DAMP LOCATIONS
- TYPE IC RECESSED, INHERENTLY PROTECTED
- FOR SUPPLY CONNECTIONS USE WIRE RATED FOR AT LEAST 90 °C
- DIMMER, IF USED, MUST BE MAGNETIC LOW VOLTAGE DIMMER
- CERTIFIED TO STANDARDS ANSI/UL 2108
- USE DIMMERS RATED FOR MAGNETIC LOW VOLTAGE LOAD
- MADE IN THE U.S.A.



Front View



Bottom View



ORDERING GUIDE							
Model	Size	Prim. V	Sec. V	No.	Brk Amp.	Choke	Opt
Q6M	-	-	/	-	X	+	+
1 Size	Max Load (Watts)	Fixture Load Volts (12VDC / 24VDC)	Max Prim. Amps @ 120V	Max Prim. Amps @ 277V			
60DC+CAP	60W	12V	.90 A	.40 A			
60DC+CAP	60W	24V	.90 A	.40 A			
100DC+CAP	100W	24V	1.4 A	.55 A			
2 Primary Voltage							
120(60Hz)	277(60Hz)						
3 Secondary Voltage					6 Choke		
12V	24V					CK-S	50W-300W
4 Number of Breakers							
1-2							
5 Secondary Breaker Amperage					7 Options		
AMPS	Max 12V Load	Max 24V Load					
2.5	60W	120W					
4	120W	240W					
5	150W	300W					
Ordering Example							
Q6M-60DC+CAP - 120/24 - 1x4+ CK-S							
CLASS 1							

2020-02-28-V1

PROJECT NAME	DATE	COMPANY	TYPE	NOTE

INSTALLATION INSTRUCTIONS

POWER SUPPLY - Q6M-DC+CAP



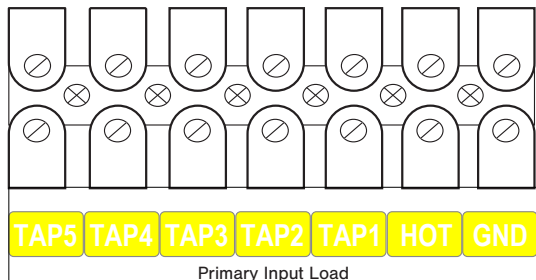
Primary Circuit Protection

- Primary Magnetic Circuit Breaker
- Primary Autotest Thermal Protector

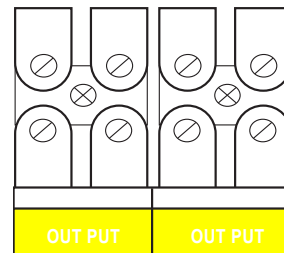
Secondary Circuit Protection

- Magnetic Circuit Breakers: 2
- Amps: 2.5A, 4A, 5A

PRIMARY (Line Voltage)



SECONDARY (Low Voltage)



Land Neutral on one Tap.
Chose either tap 1,2,3, 4 or 5

Land Hot

Land Ground

NOTE: Primary Input - connect the 120V hot into block labeled Hot. Connect the neutral wire into Tap 1 - Tap 5 depending on desired output Voltage.(Not to exceed 12V or 24V)

LABEL

Q6S-DC & Q6M-DC+CAP	INPUT VOLTAGE			OUTPUT VOLTAGE	
	120V	277V		12V	24V
Model #	Voltage (V)	Current (A)	Frequency (Hz)	Voltage (V)	Wattage (W)
Q6S-60DC	120 / 277	0.9	60	60	12/24
Q6S-120DC	120 / 277	1.8	60	120	12
Q6S-100DC	120 / 277	1.4	60	60	24
Q6S-200DC	120 / 277	2.3	60	100	24
Q6M-60DC+CAP	120 / 277	0.9	60	200	12/24
Q6M-100DC+CAP	120 / 277	1.4	60	100	24

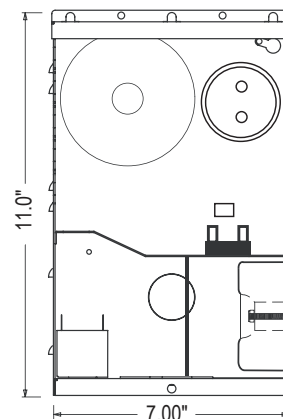
- SUITABLE FOR DAMP LOCATIONS CONVIENT AUX EMPLACEMENTS HUMIDE
- URFACE MOUNT ANY POSITION
- LOW VOLTAGE LED LIGHTING POWER SUPPLY CENTER
- FOR SUPPLY CONNECTIONS USE WIRE RATED FOR AT LEAST 75°C (167°F) LES FILS D'ALIMENTATION 75°C MIN
- DIMMER, IF USED, MUST BE MAGNETIC LOW VOLTAGE DIMMER
- MADE IN THE U.S.A

This product must be installed in accordance with the applicable installation code by a person familiar with the construction and operation of the product and the hazards involved.

LOW VOLTAGE LIGHTING SYSTEM

Q-Tran, Inc.
CLASS: 3425 - 15
3425 - 95
MILFORD, CT U.S.A.
(203) 367-8777
WWW.Q-TRAN.COM

CE PRODUIT DOIT ÊTRE INSTALLÉ SELON LE CODE D'INSTALLATION PERTINENT, PAR UNE PERSONNE QUI CONNAÎT BIEN LE PRODUIT ET SON FONCTIONNEMENT AINSI QUE LES RISQUES INHÉRENTS.



NOTE: All wiring to be Class I per National Electric Code (NEC). These installation instructions are intended for use with low voltage lighting. If you are installing the Q-Tran Q6 unit with a non-lighting system (ex. heated doors, audio systems, etc.), call the manufacturer of the system directly before installing.



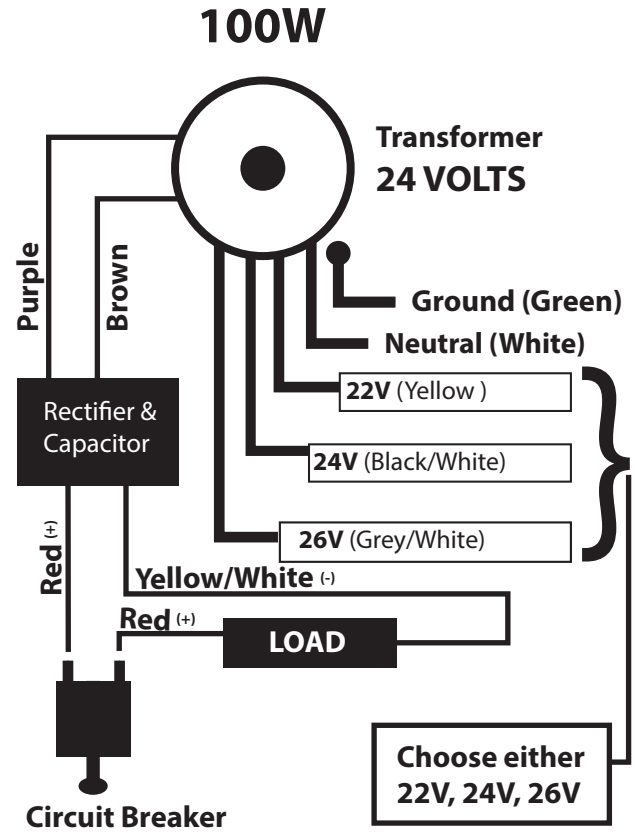
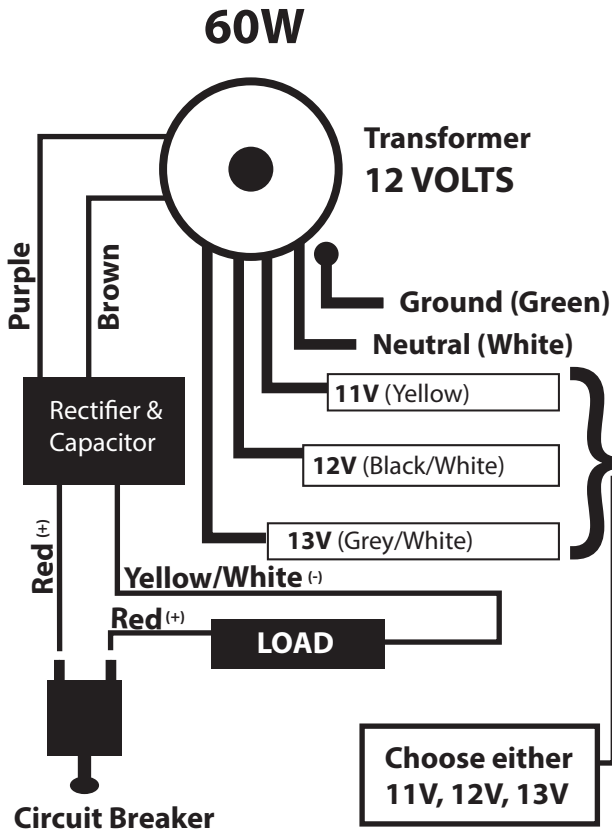
PROJECT NAME	DATE	COMPANY	TYPE	NOTE

INSTALLATION INSTRUCTIONS

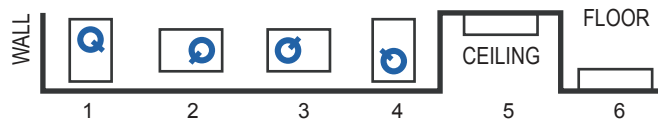
POWER SUPPLY - Q6M-DC+CAP



WIRING DIAGRAM



MOUNTING: 6 plane surface mount



NOTE: Rods not included.

LOW VOLTAGE LIGHTING POWER SUPPLY

- FOR INDOOR USE ONLY
- SURFACE MOUNT ANY POSITION
- SUITABLE FOR DAMP LOCATIONS
- TYPE IC RECESSED, INHERENTLY PROTECTED
- FOR SUPPLY CONNECTIONS USE WIRE RATED FOR AT LEAST 90 °C
- DIMMER, IF USED, MUST BE MAGNETIC LOW VOLTAGE DIMMER
- CERTIFIED TO STANDARDS ANSI/UL 2108
- USE DIMMERS RATED FOR MAGNETIC LOW VOLTAGE LOAD
- MADE IN THE U.S.A