



# Q6M-DC+CAP

## Housing Dimensions

- 18 - gauge steel enclosure:  
11.0" L x 7.0" W x 4.5"H
- Knockouts: 7
- Color: White powder coating (Standard)
- (2)3/8" threaded rods. (Rods not included)

## Toroidal Transformer - Dual Tap (DT)

- (3) Primary taps: 12, 13, 14VDC or 24, 26, 28VDC
- Loads may be connected to one (1) of the primary taps up to the full watt rating of the PSC.
- The advantage is that the PSC can be tapped to recover voltage drop and produce between 85%-100% light output.

**NOTE:** See voltage drop Calculator at [www.q-tran.com](http://www.q-tran.com)

## Secondary Circuit

- Up to two (2) magnetic circuit breaker
- Amps: 2.5A, 4A and 5A

**NOTE:** Breakers are sized to the feed load per N.E.C. Article 411 (not to exceed 25 amps per load). All wiring by the electrical contractor must be Class 1 compliant to N.E.C.

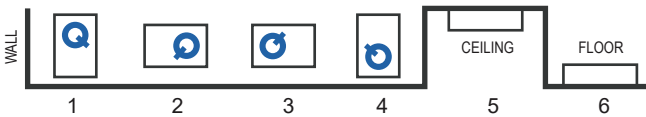
## Toroidal Choke

- A choke or "Debuzzing Coil" reduces noise and in-rush current and is especially helpful when dimming. Choke is standard.

**NOTE:** Suspension rods are purchased separately and not from Q-Tran, Inc.

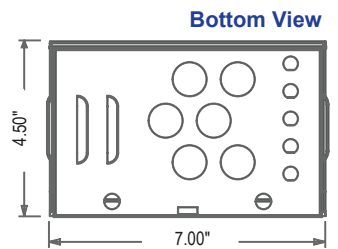
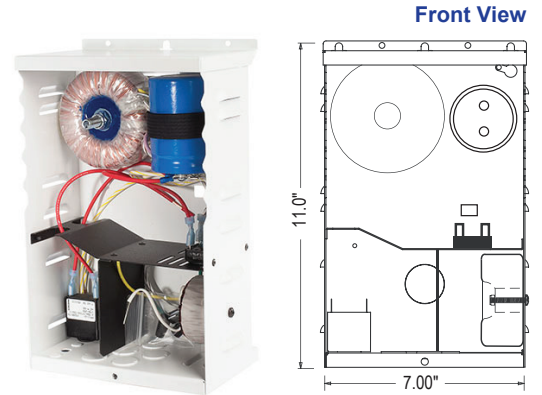
## Mounting

- 6 plane surface mount
- Rod suspension (Two -3/8" threaded rods)



## LOW VOLTAGE LIGHTING POWER SUPPLY

- FOR INDOOR USE ONLY
- SURFACE MOUNT ANY POSITION
- SUITABLE FOR DAMP LOCATIONS
- TYPE IC RECESSED, INHERENTLY PROTECTED
- FOR SUPPLY CONNECTIONS USE WIRE RATED FOR AT LEAST 90 °C
- USE DIMMERS RATED FOR MAGNETIC LOW VOLTAGE LOAD WITH NEUTRAL WIRE
- CERTIFIED TO STANDARDS ANSI/UL 2108
- USE DIMMERS RATED FOR MAGNETIC LOW VOLTAGE LOAD
- MADE IN THE U.S.A.



ORDERING GUIDE							
Model	Size	Prim. V	Sec. V	No.	Brk Amp.	Choke	Opt
Q6M	-	-	/	-	x	+	+
1 Size	Max Load (Watts)	Fixture Load Volts (12VDC / 24VDC)	Max Prim. Amps @ 120V	Max Prim. Amps @ 277V			
<b>60DC+CAP</b>	60W	12V	.90 A	.40 A			
<b>60DC+CAP</b>	60W	24V	.90 A	.40 A			
<b>100DC+CAP</b>	100W	24V	1.4 A	.55 A			
2 Primary Voltage							
<b>120(60Hz)</b>	<b>277(60Hz)</b>						
3 Secondary Voltage						6 Choke	
<b>12V</b>	<b>24V</b>					<b>CK-S</b> 50W-300W	
4 Number of Breakers							
<b>1-2</b>							
5 Secondary Breaker Amperage							7 Options
AMPS	Max 12V Load	Max 24V Load					
<b>2.5</b>	60W	120W					<b>WH</b> White ( Standard )
<b>4</b>	120W	240W					<b>BK</b> Black Powder Coat Finish
<b>5</b>	150W	300W					<b>CP</b> Cord & Plug
Ordering Example							
<b>Q6M-60DC+CAP - 120/24 - 1x4+ CK-S</b>							
CLASS 1							

2020-06-10-V2

PROJECT NAME	DATE	COMPANY	TYPE	NOTE

# INSTALLATION INSTRUCTIONS

## POWER SUPPLY - Q6M-DC+CAP



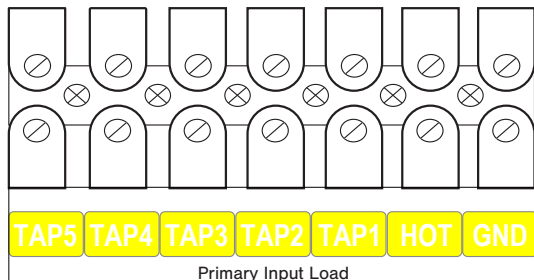
### Primary Circuit Protection

- Primary Magnetic Circuit Breaker
- Primary Autotest Thermal Protector

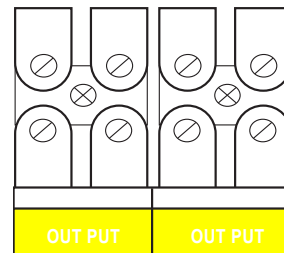
### Secondary Circuit Protection

- Magnetic Circuit Breakers: 2
- Amps: 2.5A, 4A, 5A

### PRIMARY (Line Voltage)



### SECONDARY (Low Voltage)



Land Neutral on one Tap.  
Chose either tap 1,2,3, 4 or 5

Land Hot

Land Ground

**NOTE:** Primary Input - connect the 120V hot into block labeled Hot. Connect the neutral wire into Tap 1 - Tap 5 depending on desired output Voltage.(Not to exceed 12V or 24V)

### LABEL

Q6S-DC & Q6M-DC+CAP	INPUT VOLTAGE			OUTPUT VOLTAGE	
	120V	277V		12V	24V
Model #	Voltage (V)	Current (A)	Frequency (Hz)	Voltage (V)	Wattage (W)
Q6S-60DC	120 / 277	0.9	60	60	12/24
Q6S-120DC	120 / 277	1.8	60	120	12
Q6S-100DC	120 / 277	1.4	60	60	24
Q6S-200DC	120 / 277	2.3	60	100	24
Q6M-60DC+CAP	120 / 277	0.9	60	200	12/24
Q6M-100DC+CAP	120 / 277	1.4	60	100	24

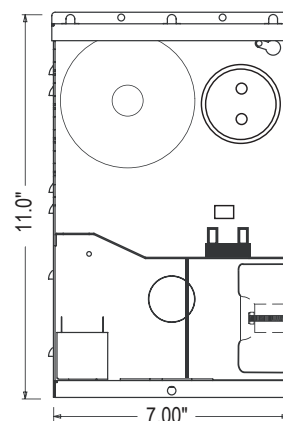
- SUITABLE FOR DAMP LOCATIONS CONVIENT AUX EMPLACEMENTS HUMIDE
- URFACE MOUNT ANY POSITION
- LOW VOLTAGE LED LIGHTING POWER SUPPLY CENTER
- FOR SUPPLY CONNECTIONS USE WIRE RATED FOR AT LEAST 75°C (167°F) LES FILS D'ALIMENTATION 75°C MIN
- DIMMER, IF USED, MUST BE MAGNETIC LOW VOLTAGE DIMMER
- MADE IN THE U.S.A

This product must be installed in accordance with the applicable installation code by a person familiar with the construction and operation of the product and the hazards involved.

LOW VOLTAGE LIGHTING SYSTEM

Q-Tran, Inc.  
CLASS: 3425 - 15  
3425 - 95  
MILFORD, CT U.S.A.  
(203) 367-8777  
WWW.Q-TRAN.COM

CE PRODUIT DOIT ÊTRE INSTALLÉ SELON LE CODE D'INSTALLATION PERTINENT, PAR UNE PERSONNE QUI CONNAÎT BIEN LE PRODUIT ET SON FONCTIONNEMENT AINSI QUE LES RISQUES INHÉRENTS.



**NOTE:** All wiring to be Class I per National Electric Code (NEC). These installation instructions are intended for use with low voltage lighting. If you are installing the Q-Tran Q6 unit with a non-lighting system (ex. heated doors, audio systems, etc.), call the manufacturer of the system directly before installing.



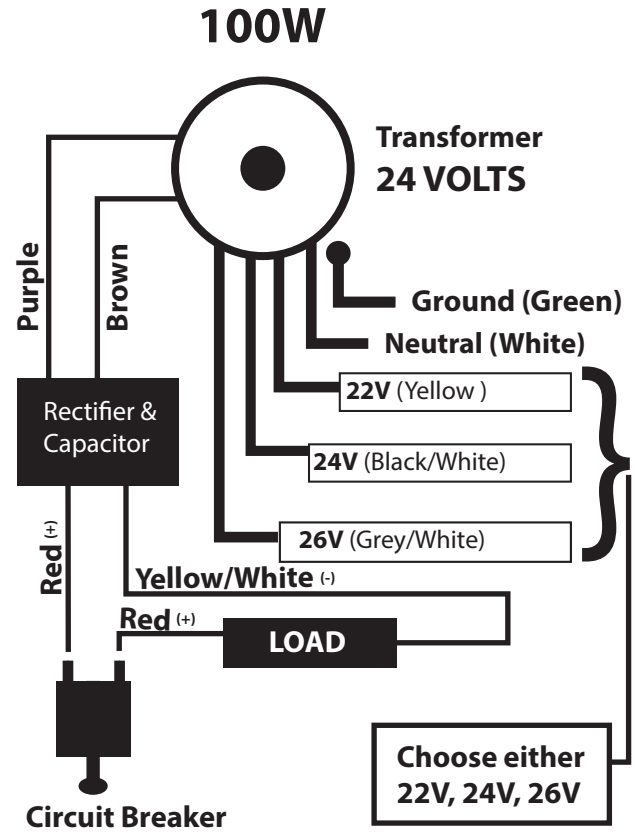
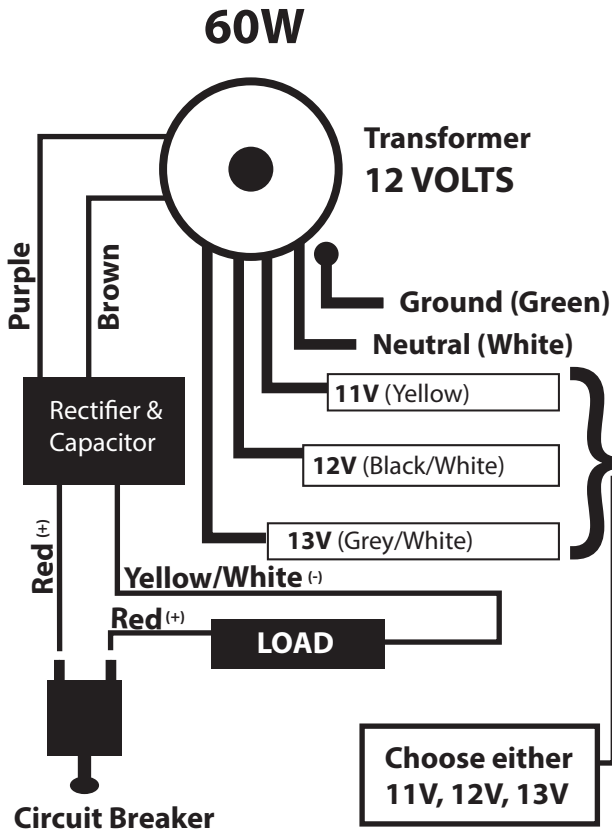
PROJECT NAME	DATE	COMPANY	TYPE	NOTE

# INSTALLATION INSTRUCTIONS

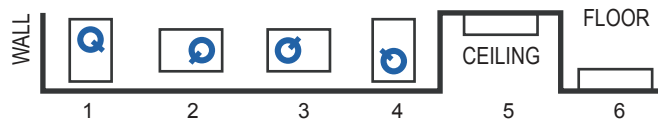
## POWER SUPPLY - Q6M-DC+CAP



### WIRING DIAGRAM



**MOUNTING:** 6 plane surface mount



**NOTE:** Rods not included.

### LOW VOLTAGE LIGHTING POWER SUPPLY

- FOR INDOOR USE ONLY
- SURFACE MOUNT ANY POSITION
- SUITABLE FOR DAMP LOCATIONS
- TYPE IC RECESSED, INHERENTLY PROTECTED
- FOR SUPPLY CONNECTIONS USE WIRE RATED FOR AT LEAST 90 °C
- DIMMER, IF USED, MUST BE MAGNETIC LOW VOLTAGE DIMMER
- CERTIFIED TO STANDARDS ANSI/UL 2108
- USE DIMMERS RATED FOR MAGNETIC LOW VOLTAGE LOAD
- MADE IN THE U.S.A