



# QJB AC JUNCTION BOX

## Housing Dimensions

- 20 - gauge Steel Enclosure
- Junction Box: 4.00"W x 4.00"H x 2.20"D
- Door: 4.07"W x 4.07"H
- Color: White Powder coating
- Knockouts: 2

## Primary Circuit Protection

- Primary Autotest Thermal Protector

**NOTE:** Thermal protector will temporarily disconnect the primary if the transformer overheats due to an overload or saturation from a faulty dimmer

## Secondary Circuit Protection

- Magnetic Circuit Breaker: 1
- Amps: 5A

**NOTE:** Breakers are sized to the feed load per N.E.C. Article 411

## Included Items

- Barrier Plate

## Toroidal Transformer

- Primary Taps: 1
- Output Voltages: 12V & 24V

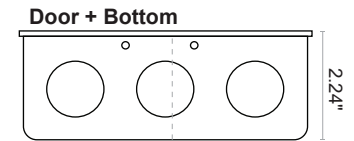
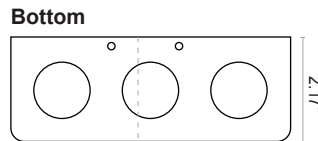
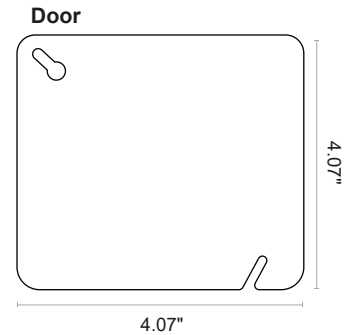
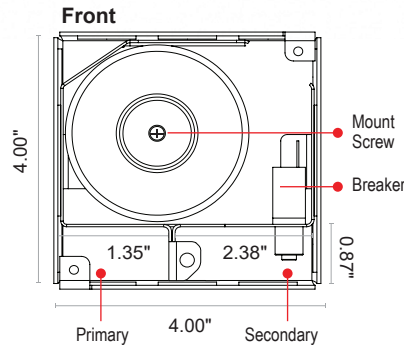
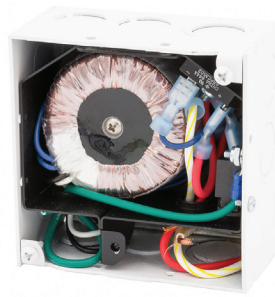
## LOW VOLTAGE LIGHTING POWER SUPPLY

- FOR INDOOR USE ONLY
- SUITABLE FOR DAMP LOCATIONS
- WALL OR RECESS MOUNT CAPABLE
- TYPE IC RECESSED, INHERENTLY PROTECTED
- DIMMER, IF USED, MUST BE MAGNETIC LOW VOLTAGE DIMMER
- Class 2 Output
- CSA #239924

### Low Voltage Lighting Systems

- : UL 1598 – Luminaires
- : UL 2108 – Low Voltage Lighting Systems
- : UL 8750 – Light Emitting Diode (LED) Equipment for Use in Lighting Products
- : CSA C22.2 No. 250.13-14 – Light Emitting Diode (LED) Equipment for Lighting Applications

- DIMMER, IF USED, MUST BE MAGNETIC LOW VOLTAGE DIMMER
- DIMMERS MUST HAVE A NEUTRAL
- SUITABLE FOR CLASS 2 WIRING
- FOR SUPPLY CONNECTIONS USE WIRES RATED FOR AT LEAST 75°C



ORDERING GUIDE				
Model	Size	Prim. V	Sec. V	
<b>QJB</b>	—	—	/	
1. Size	Watts	Secondary Voltage	Max Prim. Amps @ 120V	Max Prim. Amps @ 277V
10W	1X10W	12V	.096 A	.042 A
20W	1X20W	12V	.192 A	.083 A
10W	1X10W	24V	.096 A	.042 A
20W	1X20W	24V	.192 A	.083 A
2. Primary Voltage				
120(60Hz) 277(60Hz)				
3. Secondary Voltage				
12V 24V				
ORDERING SAMPLE				
<b>QJB-20-120/12</b>				



20191022-V2

PROJECT NAME	DATE	COMPANY	TYPE	NOTE



QJB AC JUNCTION BOX

# WIRING DIAGRAMS

