



QOM-DRIVE INSTALLATION INSTRUCTIONS

Must be installed by licensed electrician.

- Installation must be in accordance with DMX512-A standard
- DMX Shield must be grounded to Earth Ground external to Power Supply



QOM-DRIVE



CLASS: 3425-15
: 3425-95
: 3402-15
: 3402-95



QOM-DRIVE

The Q-Tran QOM-Drive with available DMX or DALI control and dimming options is an ideal solution for nearly all interior lighting applications. This electronic outdoor power supply, utilizes eldoLED LINEARdrive drivers and is suitable for indoor and outdoor use, in 12VDC or 24VDC constant voltage options, and is capable of up to 200 Watts of flicker free power within a single enclosure. The QOM-Drive comes pre-wired to meet any need, with terminal blocks for all input and output connections to greatly reduce installation time.

FEATURES

- DMX or DALI Controllable
- Surface mount capable
- Suitable for dry, damp and wet locations
- Suitable for Indoor or Outdoor Use
- Suitable for Use with Submersible Luminaire
- 4x 12/24V Controllable outputs per driver
- Standby power: < 0.5W
- Built-in Surge Protection: 3kV (L to N), 4kV (L/N to GND)
- Flicker Free operation
- Efficiency: 90% at full load, ≥ 87% above 50W output
- Class 2 output
- Power factor: > 0.94
- THD @ full load : <10%
- 3 year warranty
- CSA #239924

Low Voltage Lighting Systems

- : CSA Class 3425-15 and Class 3425-95
- : CSA Standard C22.2 No. 250.0-08 - Luminaires
- : ANSI/ UL Standard 2108 - Low Voltage Lighting Systems
- : ANSI/ UL Standard 8750 - Light Emitting Diode (LED) Equipment for Use in Lighting Products
- : CSA Std C22.2 No 250.13-14 - Light Emitting Diode (LED) Equipment for Lighting Applications

LED Landscape Lighting Systems

- : CSA Class 3402-15 and Class 3402-95
- : CSA Standard C22.2 No. 250.7-07 - Extra-Low-Voltage Landscape Lighting Systems
- : ANSI/ UL Standard 1838 - Low Voltage Landscape Lighting Systems
- : ANSI/ UL Standard 8750 - Light Emitting Diode (LED) Equipment for Use in Lighting Products
- : CSA Std C22.2 No 250.13-14 - Light Emitting Diode (LED) Equipment for Lighting Applications

DALI

Use these connectors to connect the driver to a DALI network. Always combine a DA+ and DA- connector for either data input or data output. A separate DALI power supply is required to power the DALI bus.

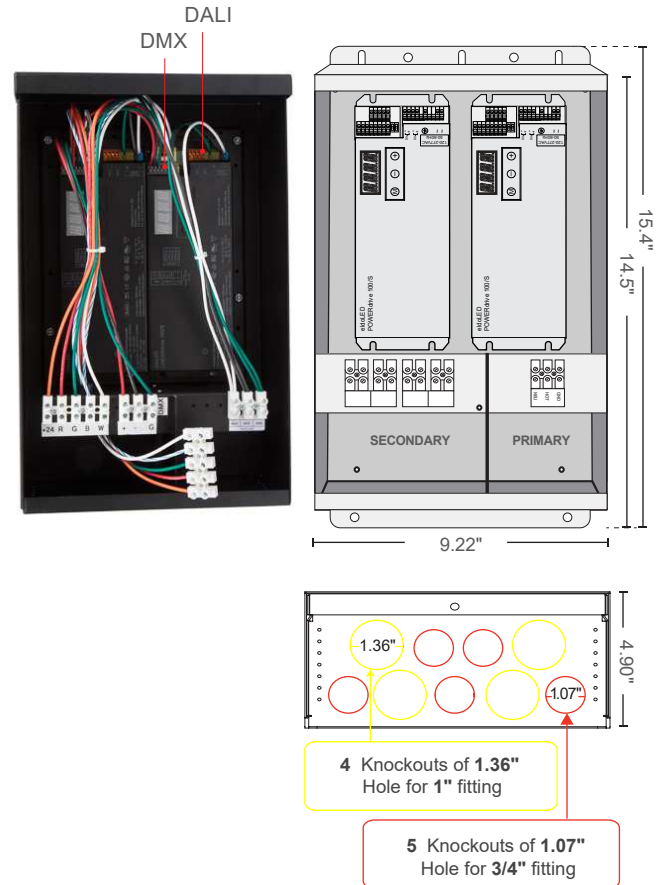
DMX in/LedSync out

Use these connectors when the driver is used in a DMX network. For DMX in, connect the network cable's DMX+, DMX- and DMX shielding wire (the orange/white, orange and brown wire in a CAT5 cable) to the DMX in+, DMX in- and DMX in shield connector respectively. For LedSync out, connect the network cable's DMX+, DMX- and DMX shielding wire to the LedSync out+, LedSync out- and LedSync shield connector respectively. DMX Shielding wire must be grounded to Earth Ground external to Power Supply.

WIRE LENGTH TABLE *Distances are based on a 5% Voltage drop max.

VOLTAGE DROP CHART										
VDC	Watts (w)	10 AWG (5.6mm ²)	12 AWG (3.3mm ²)	14 AWG (3.0mm ²)	16 AWG (1.3mm ²)	18 AWG (0.78mm ²)	20 AWG (0.50mm ²)	22 AWG (0.33mm ²)	24 AWG (0.20mm ²)	26 AWG (0.13mm ²)
12	12	315'	198'	125'	78'	49'	31'	19'	12'	7'
	25	115'	72'	45'	28'	18'	11'	7'	4'	4'
	60	7'	4'	3'						
24	17	897'	564'	355'	223'	140'	88'	55'	35'	22'
	25	567'	356'	224'	141'	88'	56'	35'	22'	14'
	40	309'	194'	122'	77'	48'	30'	30'	12'	7'
	80	130'	82'	51'	32'	20'	13'	8'	5'	3'
	100	84'	53'	33'	21'	13'	8'	5'	3'	

● This product must be installed in accordance with the applicable installation code by a person familiar with the construction and operation of the product and the hazards involved.



ORDERING GUIDE				
Model	Size	Sec. V	Control	Housing
QOM-DRIVE	-	-	+	-
1 Size	Max Load (Watts)	Secondary Voltage (12/24VDC)	Max Prim. Amps @ 120V	Max Prim. Amps @ 277V
60W	1X60W	12VDC	1.05A	0.45A
120W	2X60W	12VDC	2.10A	0.90A
100W	1X100W	24VDC	1.05A	0.45A
200W	2X100W	24VDC	2.10A	0.90A
2 Secondary Voltage		4 Housing		
12VDC	24VDC	BK Black Powder Coat Finish (Standard)		
		SS 316 Marine Grade Stainless Steel		
3 Control				
DMX	DALI			
Ordering Example				
QOM-DRIVE-100-24V+DMX				

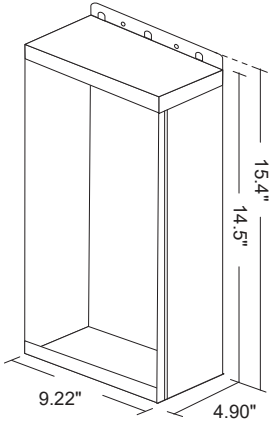




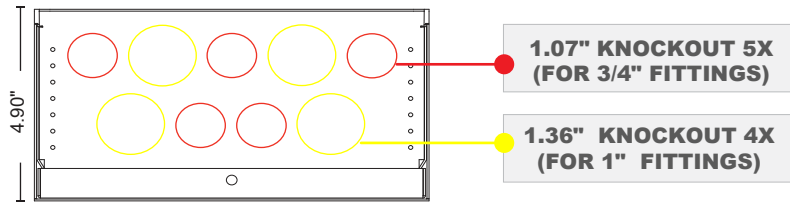
QOM - DRIVE

Housing & Mounting Options

QOM HOUSING

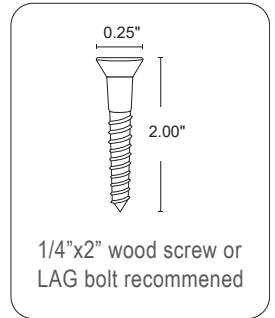
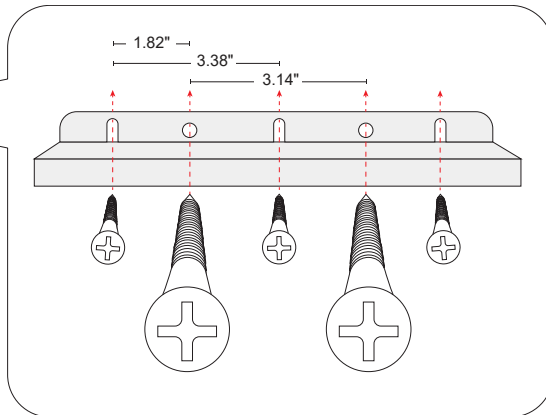
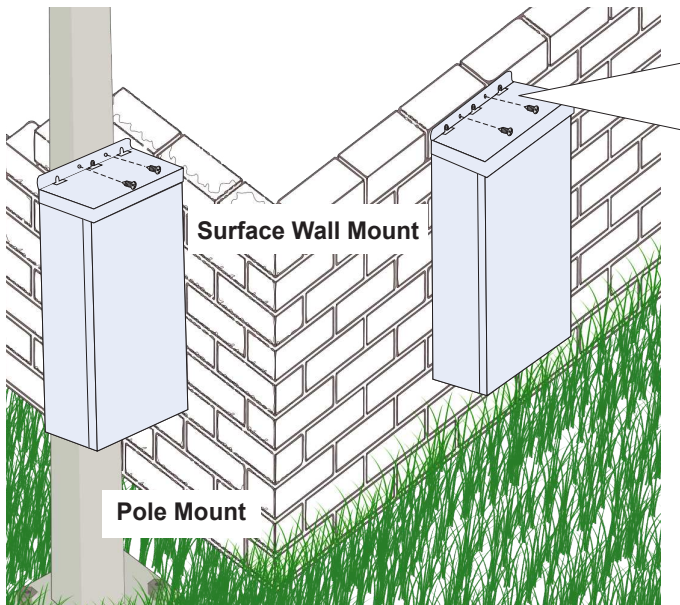


ISOMETRIC VIEW



BOTTOM VIEW

MOUNTING OPTIONS



1/4"x2" wood screw or LAG bolt recommended

NOTE: To order additional lengths of wire for connection in the secondary Please call Factory for availability.

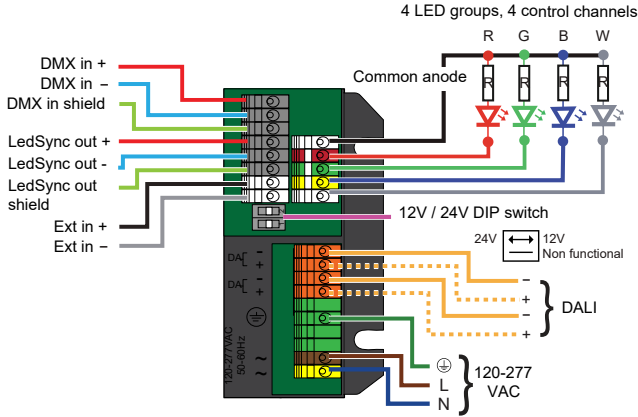
: QOM must be installed as shown.



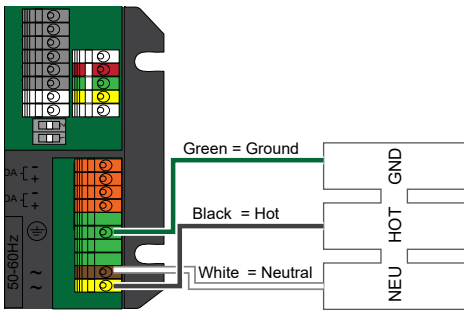
QOM - DRIVE

Connecting & Configuration Instruction

Connecting and configuring the LINEARdrive 100/S



Primary Wiring



Commonly Asked Questions

1) How can I verify my installation?

- Apply AC input, verify display turns on : This confirms AC input wiring
- Run "Visual Test Run" : This verifies wiring of LEDs. Make sure LEDs turning on go in same order as the Test Run

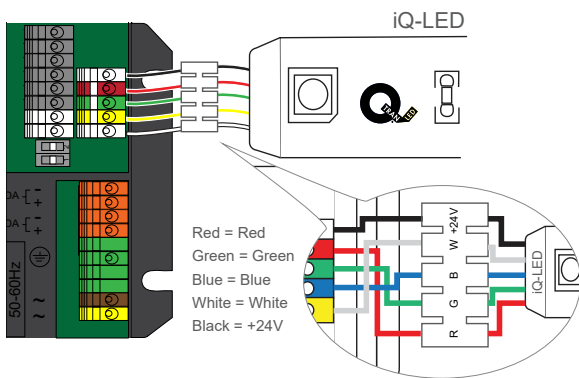
2) I don't have a controller yet, how can I keep my lights on?

- Change the Mode to "COLR" : This allows to manually set a specific color to be on
- Adjust the Hue or WHIT to achieve the desired color : This sets that specific color

3) My LEDs aren't coming out the right color. They look like white has been added in

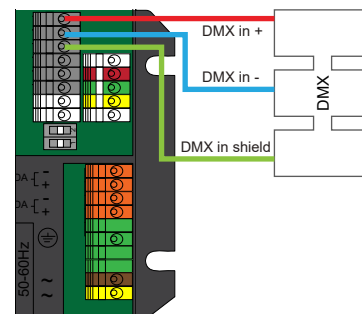
- Verify the Network Resolution "NETW RES" : Default is 8 BT
- Check your DMX Programming. Stick controllers come with RGB programs by default. This will cause RGBW LEDs to show Pink vs. Red

Secondary Wiring

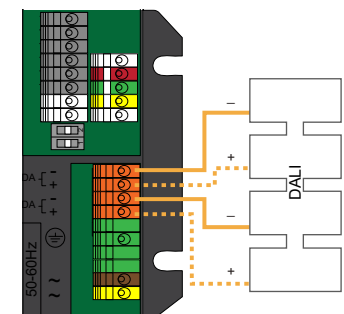


Control Wiring

DMX connections



DALI connections



NOTE: The unit will be factory wired based on the way the unit is ordered.

Only the one applicable control will be prepared.

: DMX Shielding wire must be grounded to Earth Ground external to Power Supply.



WARNING: Risk of electrical shock. May result in serious injury or death. Disconnect power before servicing or installing.

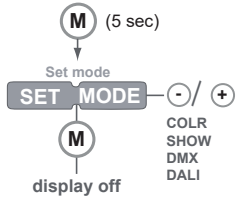


CAUTION: The device may only be connected and installed by a qualified electrician. All applicable regulations, legislation and building codes must be observed. Incorrect installation of the device can cause irreparable damage to the device and the connected LEDs.

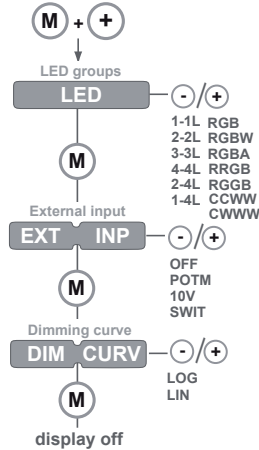


Manual configuration

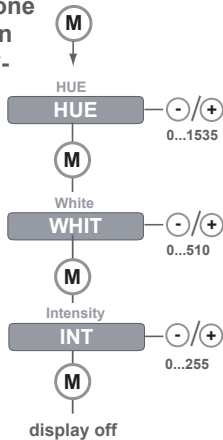
1. Select mode of operation:



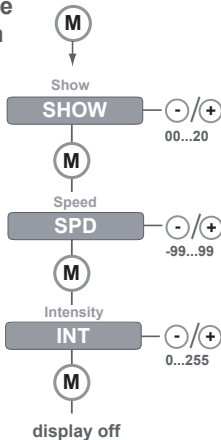
2. Set LED groups:



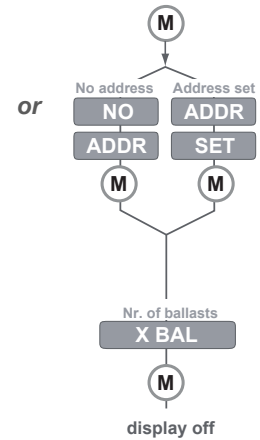
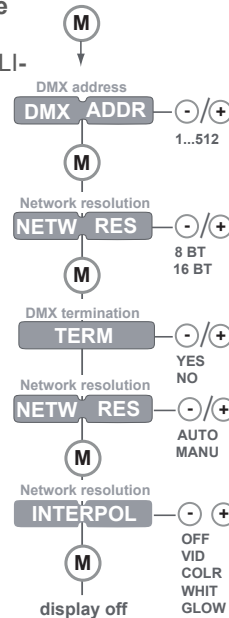
3. Standalone operation - Colour*-



Standalone operation - Show-



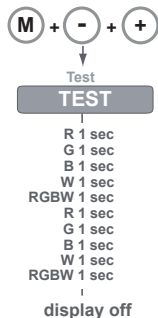
Standalone operation - DMX or DALI-



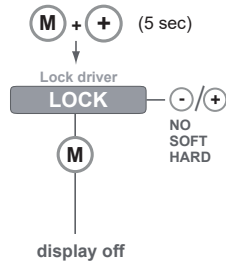
*The colour menu depends on the LED group settings you have selected in step 2.

Other features

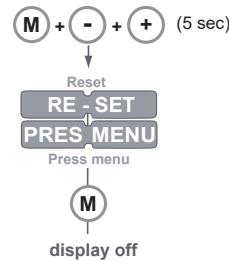
Visual test run



Locking the configuration:



Reset to factory defaults



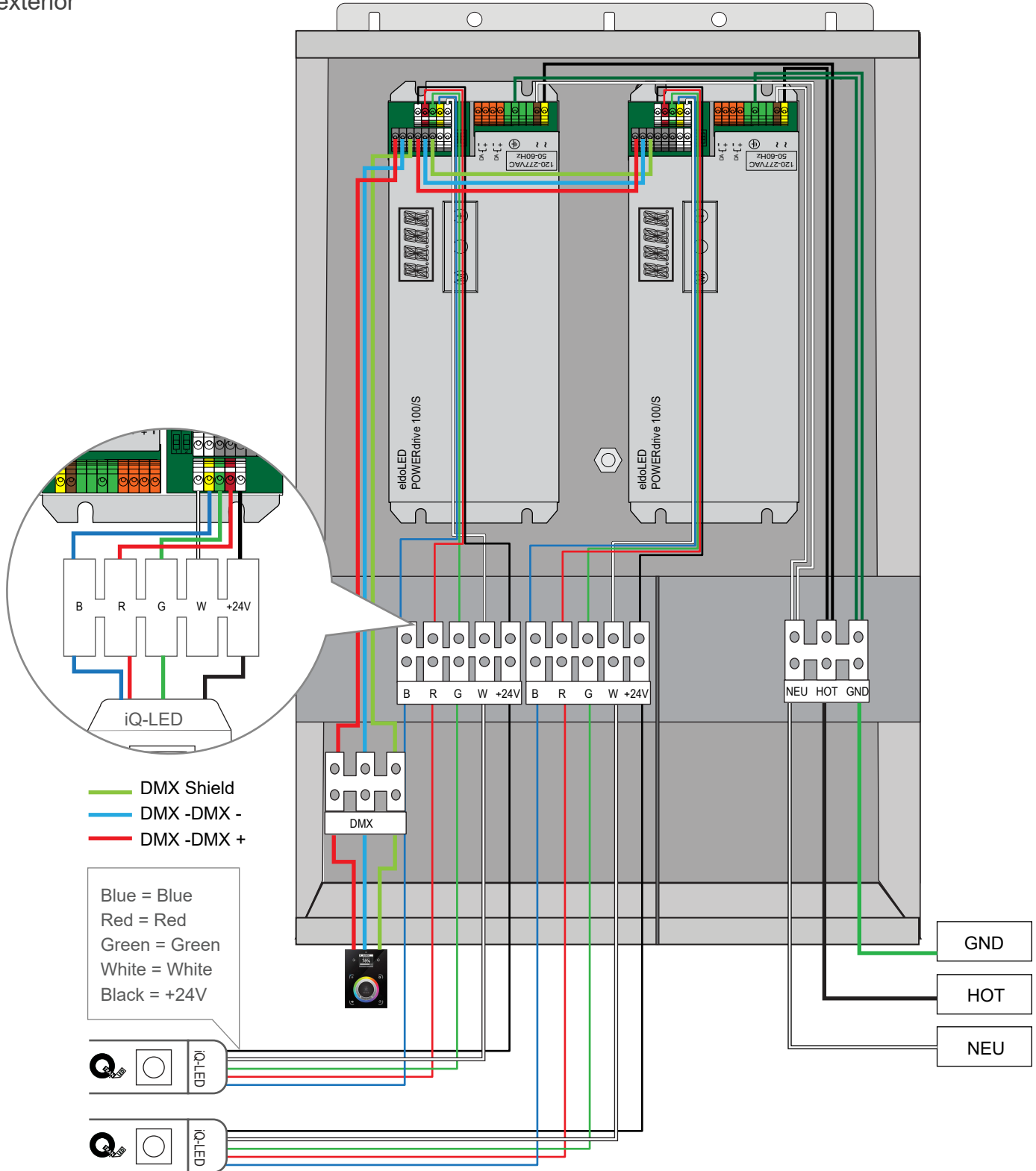


QOM - DRIVE

Wiring Installation

QOM

: for exterior





QOM - DRIVE CSA Label

CSA REQUIREMENTS

- Suitable for Indoor and Outdoor use
- This power supply must be installed according to the National Electric Code and local codes and ordinances and in accordance with applicable installation code by a person familiar with the construction and operation of the product and the hazards involved.
- Wear rubber shoes and work on a sturdy wooden or fiberglass ladder.
- This power supply is to be installed in a location where it is not likely to be contacted by non-electricians.
- To avoid a hazard to children, account for all parts and destroy all packaging materials.
- DMX Shielding wire must be grounded to Earth Ground external to Power Supply.

QOM-DRIVE		INPUT VOLTAGE			OUTPUT VOLTAGE		CONTROL TYPE
		120V			12V	24V	
Model	Input Voltage (V)	Input Current (A)	Frequency	Nominal Output Voltage (VDC)	Nominal Output Wattage (W)		
QOM-DRIVE-60	120	1.05	50/60	12	60	DMX	
QOM-DRIVE-120	120	2.10	50/60	12	120	DALI	
QOM-DRIVE-100	120	1.05	50/60	24	100	0-10V	
QOM-DRIVE-200	120	2.10	50/60	24	200		

- Suitable for Indoor or Outdoor use
- Wall Mount Only
INSTALLATION MURALE SEULEMENT
- Suitable For Mounting Within 1.2m (4ft) Of The Ground
PEUT ÊTRE INSTALLÉ À MOINS DE 1.2 m (4 pi) DU SOL
- Suitable For Use With Submersible Luminaires Or Submersible Pumps
- Suitable For Wet Locations
CONVIENT AUX EMPLACEMENTS HUMIDES
- Not For Use With Dimmers
NE CONVIENT PAS À DES GRADATEURS
- For Supply Connections Use Wire Rated For At Least 60 C.
- Keep Enclosure Cover Closed
- Read Installation Instructions Before Wiring

This product must be installed in accordance with the applicable installation code by a person familiar with the construction and operation of the product and the hazards involved.

CE PRODUIT DOIT ÊTRE INSTALLÉ SELON LE CODE D'INSTALLATION PERTINENT, PAR UNE PERSONNE QUI CONNAÎT BIEN LE PRODUIT ET SON FONCTIONNEMENT AINSI QUE LES RISQUES INHÉRENTS.

WARNING:

RISK OF FIRE. IF INSTALLATION INVOLVES RUNNING WIRE THROUGH A BUILDING STRUCTURE, SPECIAL WIRING METHODS ARE NEEDED. CONSULT A QUALIFIED ELECTRICIAN

LOW VOLTAGE LIGHTING SYSTEM & LED LANDSCAPE LIGHTING SYSTEM

Q-Tran, Inc.

CLASS: 3425 - 15
3425 - 95
3402 - 15
3402 - 95



Q-TRAN, INC.
MILFORD, CT U.S.A.
(203) 367-8777
WWW.Q-TRAN.COM

QOM-DRIVE		INPUT VOLTAGE			OUTPUT VOLTAGE		CONTROL TYPE
		120V - 277V			12V	24V	
Model	Input Voltage (V)	Input Current (A)	Frequency	Nominal Output Voltage (VDC)	Nominal Output Wattage (W)		
QOM-DRIVE-60	120/277	1.05	50/60	12	60	DMX	
QOM-DRIVE-120	120/277	2.10	50/60	12	120	DALI	
QOM-DRIVE-100	120/277	1.05	50/60	24	100	0-10V	
QOM-DRIVE-200	120/277	2.10	50/60	24	200		

- Suitable for Indoor or Outdoor use
- Wall Mount Only
- Suitable For Mounting Within 1.2m (4ft) Of The Ground
- Suitable For Use With Submersible Luminaires Or Submersible Pumps
- Suitable For Wet Locations
- Not For Use With Dimmers
- For Supply Connections Use Wire Rated For At Least 60 C.
- Keep Enclosure Cover Closed
- Read Installation Instructions Before Wiring

This product must be installed in accordance with the applicable installation code by a person familiar with the construction and operation of the product and the hazards involved.

WARNING:

RISK OF FIRE. IF INSTALLATION INVOLVES RUNNING WIRE THROUGH A BUILDING STRUCTURE, SPECIAL WIRING METHODS ARE NEEDED. CONSULT A QUALIFIED ELECTRICIAN

LOW VOLTAGE LIGHTING SYSTEM & LED LANDSCAPE LIGHTING SYSTEM

Q-Tran, Inc.

CLASS: 3425 - 15
3425 - 95
3402 - 15
3402 - 95



Q-TRAN, INC.
MILFORD, CT U.S.A.
(203) 367-8777
WWW.Q-TRAN.COM