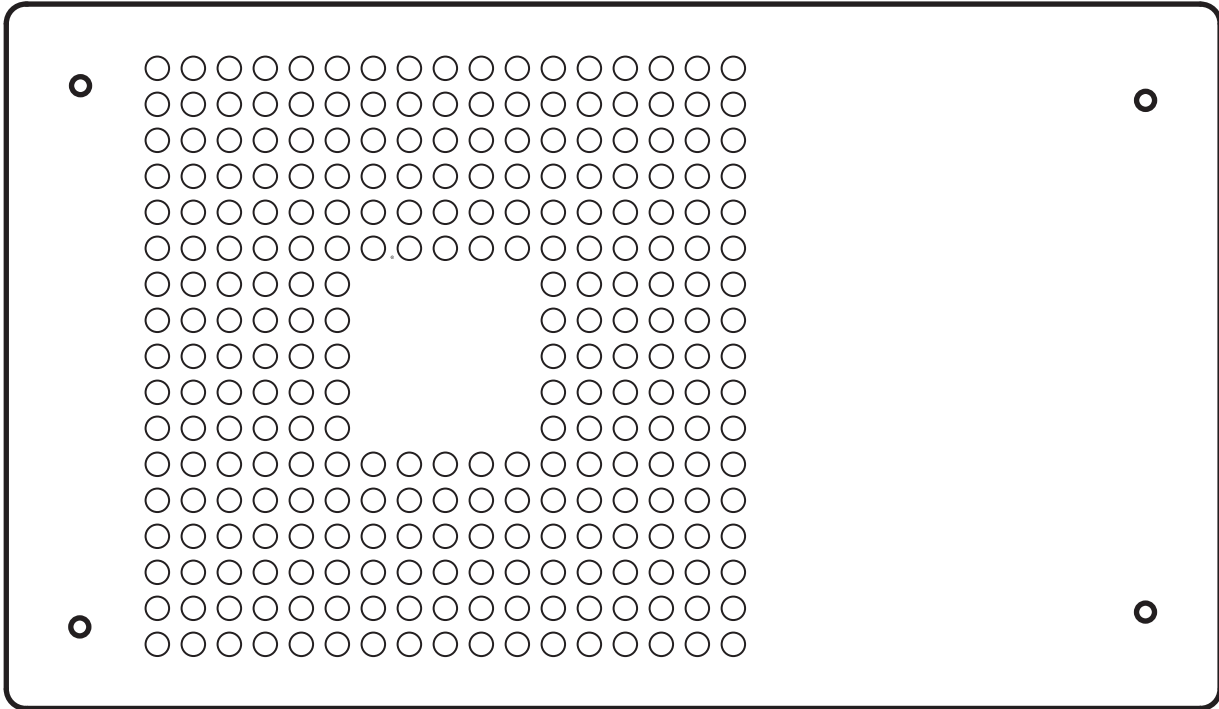


QTM-DC Power Supply (DC and DC+CAP) Installation Instructions

Must be installed by licensed electrician.



ENLIGHTENED THINKING®



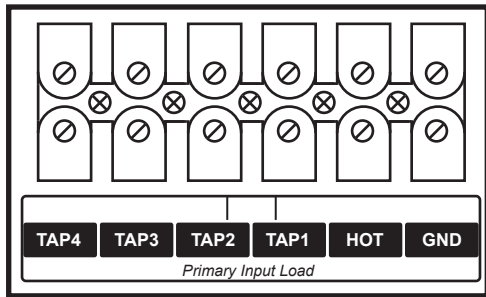
ENLIGHTENED THINKING®

Installation Instructions

QTM-DC Field Wiring Made Simple

PRIMARY

Line Voltage



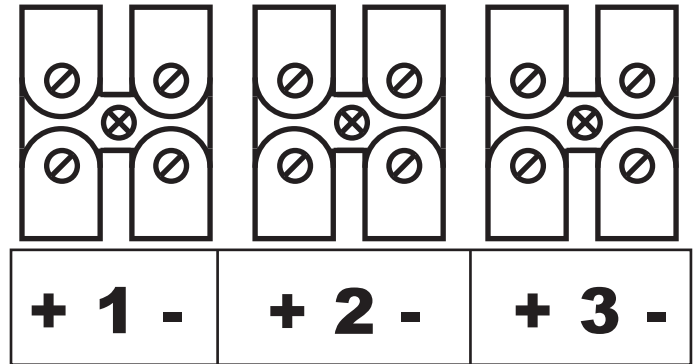
Land Neutral on one tap.
Chose either tap 1,2,3 or 4

Land Hot

Land Ground

SECONDARY

Low Voltage



RED = Positive
YELLOW = Negative

NOTE: Primary Input - connect the 120V hot into block labeled Hot. Connect the neutral wire into Tap 1 - Tap 5 depending on desired output Voltage.(Not to exceed 12V or 24V)

QTM-DC/DC+CAP 120VAC 230V/50Hz 277VAC 12V 24V

Model	Input Voltage (V)	Input Current (A)	Frequency	Nominal Output Voltage (VDC)	Nominal Output Wattage (W)	SECONDARY WIRE CONNECTION
● QTM60 DC	120 / 277	0.67 / 0.29	50/60	12/24	60	+ Red - Yellow
● QTM100 DC	120 / 277	1.1 / 0.49	50/60	12/24	100	
● QTM120 DC	120 / 277	1.3 / 0.58	50/60	12/24	120	
● QTM150 DC	120 / 277	1.7 / 0.7	50/60	12/24	150	
● QTM180 DC	120 / 277	2.0 / 0.87	50/60	12/24	180	
● QTM200 DC	120 / 277	2.3 / 0.98	50/60	12/24	200	
● QTM240 DC	120 / 277	2.7 / 1.2	50/60	12/24	240	
● QTM300 DC	120 / 277	3.4 / 1.5	50/60	12/24	300	
● QTM360 DC	120 / 277	4.1 / 1.8	50/60	12/24	360	
● QTM400 DC	120 / 277	4.5 / 2.0	50/60	12/24	400	
● QTM500 DC	120 / 277	5.6 / 2.4	50/60	24	500	
● QTM600 DC	120 / 277	6.7 / 2.9	50/60	24	600	
○ QTM60 DC+CAP	120 / 277	0.9 / 0.4	50/60	12/24	60	
○ QTM100DC+CAP	120 / 277	1.3 / 0.5	50/60	12/24	100	
○ QTM120DC+CAP	120 / 277	1.4 / 0.6	50/60	12/24	120	
○ QTM200DC+CAP	120 / 277	2.4 / 1.0	50/60	24	200	

Q-Tran, Inc.
239924
CLASS:
3425 - 15
3425 - 95
C US

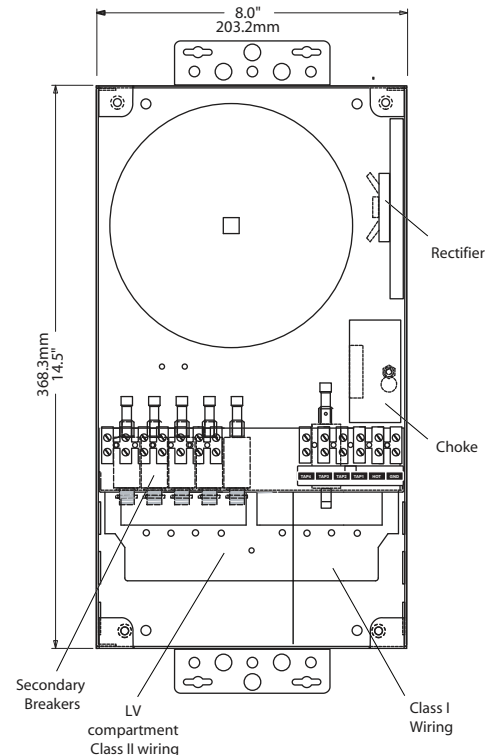


Q-TRAN, INC.
MILFORD, CT U.S.A.
(203) 367-8777
WWW.Q-TRAN.COM

This product must be installed in accordance with the applicable installation code by a person familiar with the construction and operation of the product and the hazards involved.

- WALL MOUNT ONLY
- SUITABLE FOR DAMP LOCATIONS
- 50/60 CYCLE A.C. ONLY
- FOR SUPPLY CONNECTIONS USE WIRE RATED FOR AT LEAST 75 C.
- USE DIMMERS RATED FOR MAGNETIC LOW VOLTAGE LOAD
- MADE IN THE U.S.A.
- ISOLATION TOROIDAL TRANSFORMER

LOW VOLTAGE LUMINAIRE POWER SUPPLY CENTER



Must test all voltage readings with a True RMS Voltage Meter.

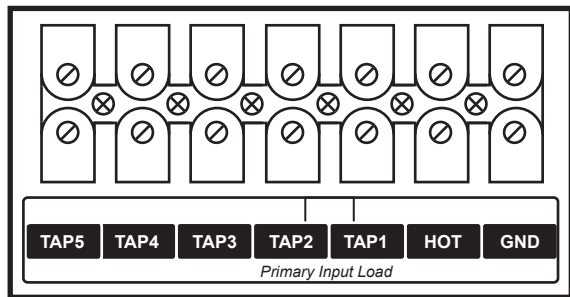
Installation Instructions

QTM-DC+CAP Field Wiring Made Simple



PRIMARY

Line Voltage



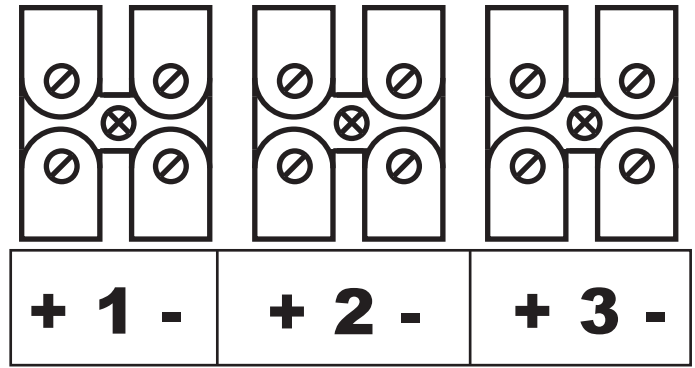
Land Neutral on one tap.
Chose either tap 1,2,3,4 or 5

Land Hot

Land Ground

SECONDARY

Low Voltage



RED = Positive
YELLOW = Negative

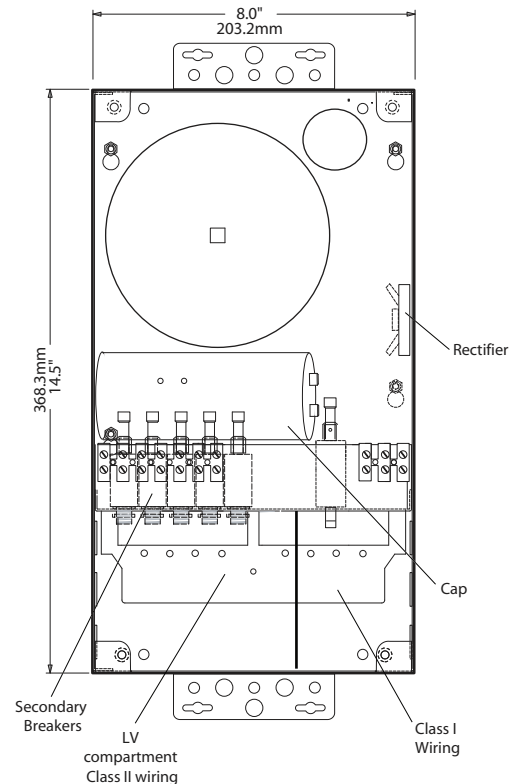
NOTE: Primary Input - connect the 120V hot into block labeled Hot. Connect the neutral wire into Tap 1 - Tap 5 depending on desired output Voltage.(Not to exceed 12V or 24V)

QTM-DC/DC+CAP		<input type="radio"/> 120VAC	<input type="radio"/> 230V/50Hz	<input type="radio"/> 277VAC	<input type="radio"/> 12V	<input type="radio"/> 24V
Model	Input Voltage (V)	Input Current (A)	Frequency	Nominal Output Voltage (VDC)	Nominal Output Wattage (W)	SECONDARY WIRE CONNECTION
<input type="radio"/> QTM60 DC	120 / 277	0.67 / 0.29	50/60	12/24	60	+ Red - Yellow
<input type="radio"/> QTM100 DC	120 / 277	1.1 / 0.49	50/60	12/24	100	
<input type="radio"/> QTM120 DC	120 / 277	1.3 / 0.58	50/60	12/24	120	
<input type="radio"/> QTM150 DC	120 / 277	1.7 / 0.7	50/60	12/24	150	
<input type="radio"/> QTM180 DC	120 / 277	2.0 / 0.87	50/60	12/24	180	
<input type="radio"/> QTM200 DC	120 / 277	2.3 / 0.98	50/60	12/24	200	
<input type="radio"/> QTM240 DC	120 / 277	2.7 / 1.2	50/60	12/24	240	
<input type="radio"/> QTM300 DC	120 / 277	3.4 / 1.5	50/60	12/24	300	
<input type="radio"/> QTM360 DC	120 / 277	4.1 / 1.8	50/60	12/24	360	
<input type="radio"/> QTM400 DC	120 / 277	4.5 / 2.0	50/60	12/24	400	
<input type="radio"/> QTM500 DC	120 / 277	5.6 / 2.4	50/60	24	500	
<input type="radio"/> QTM600 DC	120 / 277	6.7 / 2.9	50/60	24	600	
<input type="radio"/> QTM60 DC+CAP	120 / 277	0.9 / 0.4	50/60	12/24	60	
<input type="radio"/> QTM100DC+CAP	120 / 277	1.3 / 0.5	50/60	12/24	100	
<input type="radio"/> QTM120DC+CAP	120 / 277	1.4 / 0.6	50/60	12/24	120	
<input type="radio"/> QTM200DC+CAP	120 / 277	2.4 / 1.0	50/60	24	200	

This product must be installed in accordance with the applicable installation code by a person familiar with the construction and operation of the product and the hazards involved.

- WALL MOUNT ONLY
- SUITABLE FOR DAMP LOCATIONS
- 50/60 CYCLE A.C. ONLY
- FOR SUPPLY CONNECTIONS USE WIRE RATED FOR AT LEAST 75 C.
- USE DIMMERS RATED FOR MAGNETIC LOW VOLTAGE LOAD
- MADE IN THE U.S.A.

LOW VOLTAGE LUMINAIRE POWER SUPPLY CENTER



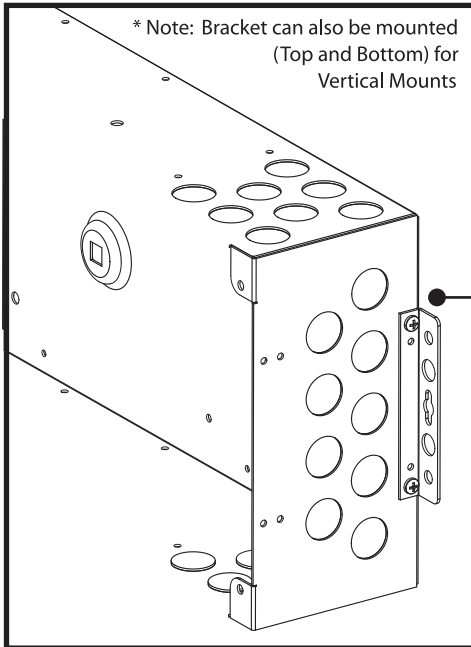
Must test all voltage readings with a True RMS Voltage Meter.



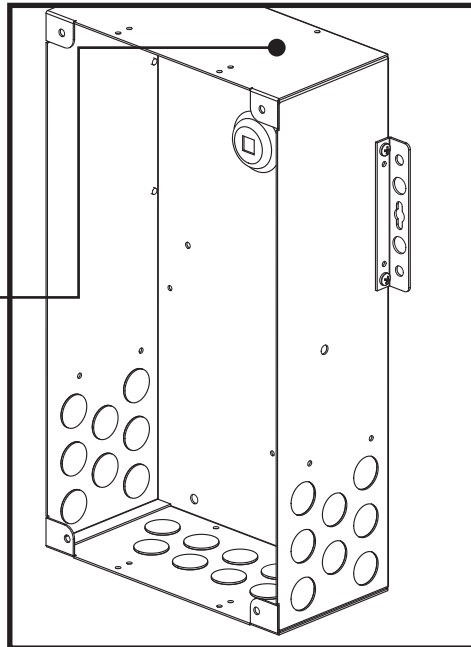
ENLIGHTENED THINKING[®]

Installation Instructions

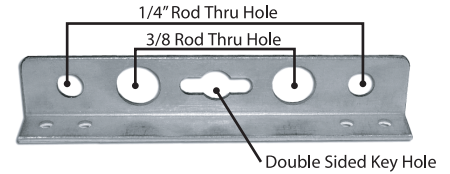
QTM-DC & DC+CAP Housing Mounting



Surface Mount (Horizontal)



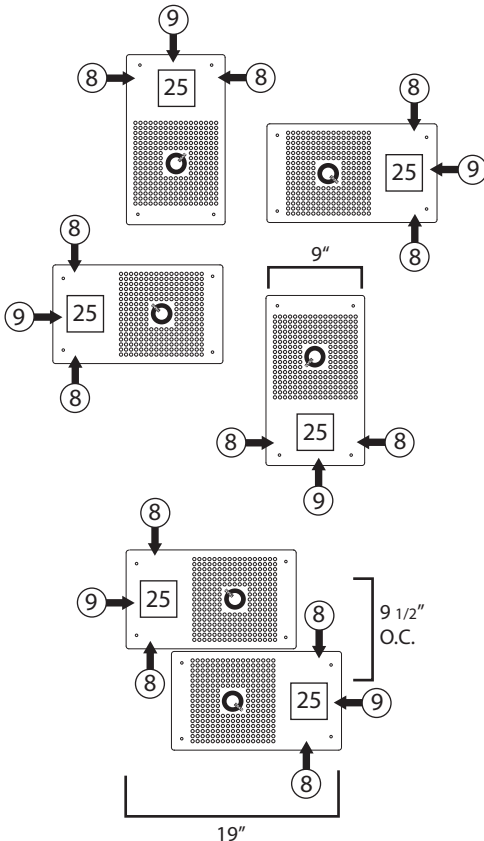
Surface Mount (Vertical)



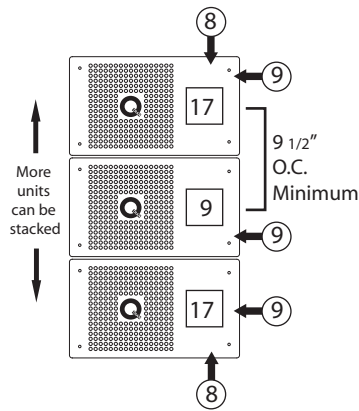
This face of bracket mounts to: Wall

Surface Wall

Note: Surface Mounting can be done on six different planes.



Surface Stacking



Note: knockouts are located where # are shown.

- ← # = Number of available Knockouts per side
- ☐ # = Total number of available Knockouts per unit

Surface Spacing

