



# QTM-DC+CAP

Q-Tran has developed several products to power constant voltage LED products; including 12VDC and 24VDC linear products (like ribbon light and other linear technologies). The benefit of using the Q-Tran magnetic LED power supply is that our product can be controlled with a standard, forward-phase control dimmer known as a Magnetic Low Voltage dimmer (MLV). We now have available, and CSA listed to UL 2108 standard, 3 product categories that include a good way, a better way and the best way to power these types of LED products.

## HOUSING

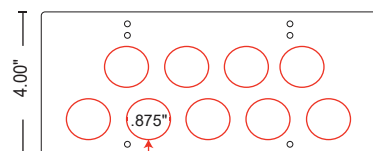
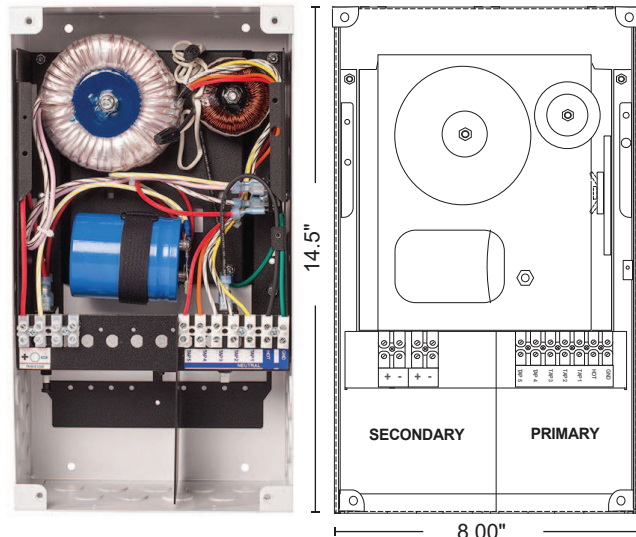
- 18 gauge Welded Steel Enclosure: 14.5"L x 8.00"W x 4.00"D
- Door: 15.5"L x 9.00"W
- Knockouts: 25
- Built-in support bracket incorporated to secure housing for surface mounting

## MULTI-VOLT & TAPS

- Primary Taps: All units come standard with primary circuit protection
- Five (5) primary taps provide:
  - 12VDC : 12, 13, 14, 15, 16
  - 24VDC : 24, 26, 28, 30, 32
- Loads may be connected to one (1) of the primary taps up to the full watt rating of the PSC.
- No de-rating required.
- The advantage is that loads at varying distances from the PSC can be tapped to recover voltage drop and produce between 85%-100% light output. ( See Q-TRAN Voltage drop Calculator )
- Secondary Circuit Protection: 1-2 magnetic circuit breakers.

## TOROIDAL CHOKE

Q-Tran's Standard Choke, or "Debuzzing Coil" reduces noise when dimming and helps negate in-rush current that is prevalent with LED loads. It allows for quiet operation and eliminates nuisance tripping.




9 Knockouts of 0.875" Hole for 1/2" fitting  
NOTE: 16 additional side knockouts

ORDERING GUIDE							
Model	1 Size	2 Prim. V	3 Sec. V	4 No	5 Brk Amp	6 Choke	7 Opts
QTM	-	-	/	-	x	+	CK-S +
1 Size	Max Load (Watts)	Secondary Voltage(12/24VDC)	Max Prim. Amps@120V	Max Prim. @ 277V			
60DC+CAP	60W	12VDC	0.9 A	0.4 A			
120DC+CAP	120W	12VDC	1.4 A	0.6 A			
60DC+CAP	60W	24VDC	0.9 A	0.4 A			
100DC+CAP	100W	24VDC	1.3 A	0.5 A			
120DC+CAP	120W	24VDC	1.4 A	0.6 A			
200DC+CAP	200W	24VDC	2.4 A	1.0 A			
2 Primary Voltage							
120V(60Hz)	220V(50/60Hz)*	230V(50/60Hz)*	240V(50/60Hz)*	277V(60Hz)			
3 Secondary Voltage							
12VDC	24VDC						
4 Number of Breakers							
1-2							
5 Secondary Breaker Amperage							
AMPS	Max 12V Load	Max 24V Load	7 Options				
2.5	30W	60W	WH White ( Standard )				
4	48W	96W	BK Black Powder Coat Finish				
5	60W	120W					
6 Choke							
CK-S: 50W-300W							
Ordering Example							
<b>QTM-60DC+CAP-120/24-1x2.5+CK-S</b>							

\*Not Standard, Call Factory For options

**LOW VOLTAGE LIGHTING POWER SUPPLY**

- TESTED TO UL 2108 STANDARD
- WALL MOUNT/ROD SUSPENSION
- FOR SUPPLY CONNECTIONS USE WIRE RATED FOR AT LEAST 75°C
- SUITABLE FOR DAMP LOCATIONS
- USE DIMMERS RATED FOR MAGNETIC LOW VOLTAGE LOAD WITH NEUTRAL WIRE
- ISOLATION TOROIDAL TRANSFORMER
- 50/60 CYCLE
- MADE IN THE U.S.A.

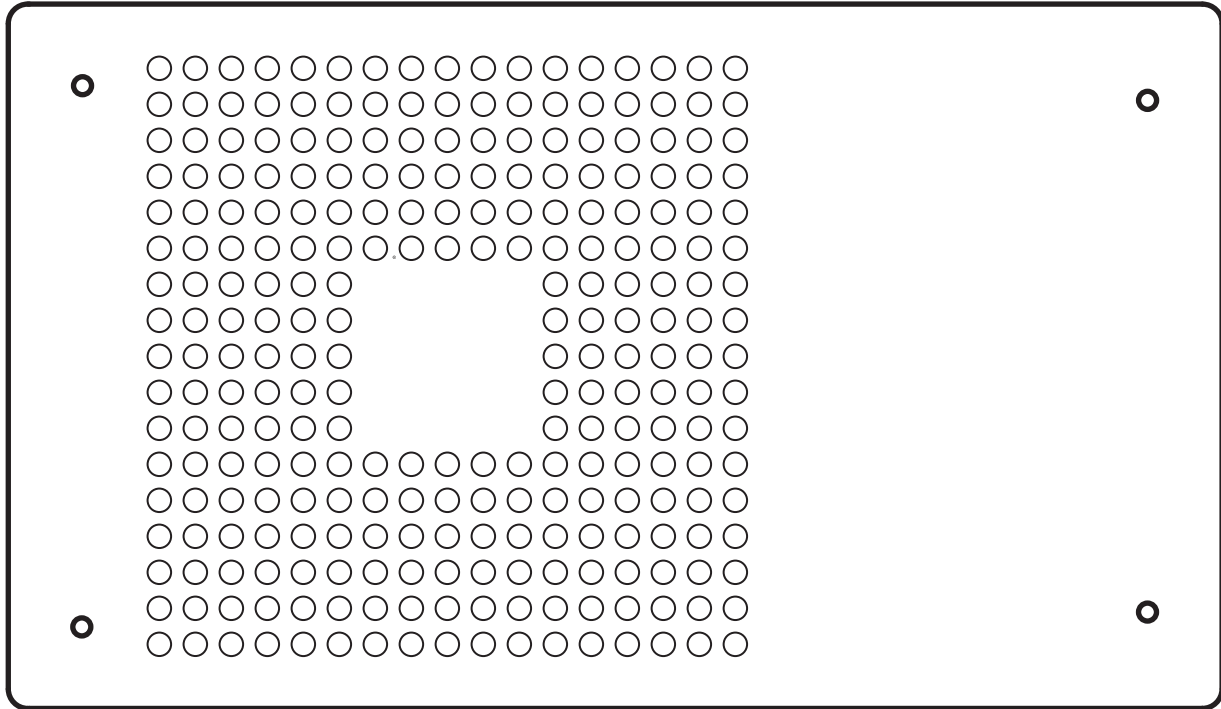


20190328-V1

PROJECT NAME	DATE	COMPANY	TYPE	NOTE

# QTM-DC Power Supply (DC and DC+CAP) Installation Instructions

Must be installed by licensed electrician.



ENLIGHTENED THINKING®



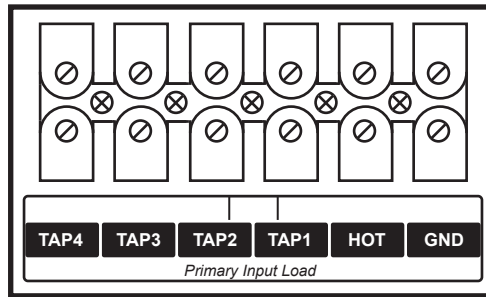
ENLIGHTENED THINKING®

# Installation Instructions

QTM-DC Field Wiring Made Simple

## PRIMARY

Line Voltage

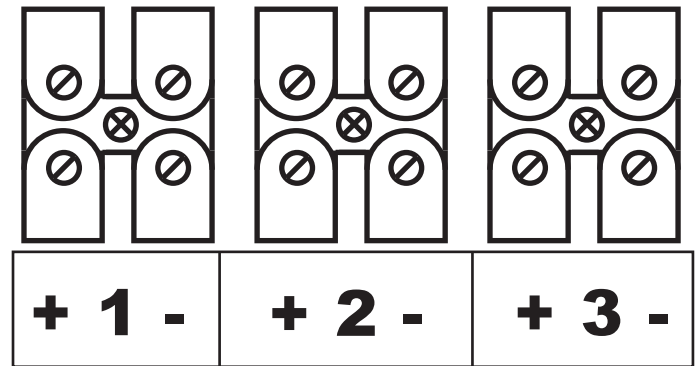


Land Neutral  
on one tap.  
Chose either tap  
1,2,3 or 4

Land Hot  
Land Ground

## SECONDARY

Low Voltage



**RED = Positive**  
**YELLOW = Negative**

**NOTE:** Primary Input - connect the 120V hot into block labeled Hot. Connect the neutral wire into Tap 1 - Tap 5 depending on desired output Voltage.(Not to exceed 12V or 24V)

QTM-DC/DC+CAP  120VAC  230V/50Hz  277VAC  12V  24V

Model	Input Voltage (V)	Input Current (A)	Frequency	Nominal Output Voltage (VDC)	Nominal Output Wattage (W)	SECONDARY WIRE CONNECTION
<input type="radio"/> QTM60 DC	120 / 277	0.67 / 0.29	50/60	12/24	60	+ Red - Yellow
<input type="radio"/> QTM100 DC	120 / 277	1.1 / 0.49	50/60	12/24	100	
<input type="radio"/> QTM120 DC	120 / 277	1.3 / 0.58	50/60	12/24	120	
<input type="radio"/> QTM150 DC	120 / 277	1.7 / 0.7	50/60	12/24	150	
<input type="radio"/> QTM180 DC	120 / 277	2.0 / 0.87	50/60	12/24	180	
<input type="radio"/> QTM200 DC	120 / 277	2.3 / 0.98	50/60	12/24	200	
<input type="radio"/> QTM240 DC	120 / 277	2.7 / 1.2	50/60	12/24	240	
<input type="radio"/> QTM300 DC	120 / 277	3.4 / 1.5	50/60	12/24	300	
<input type="radio"/> QTM360 DC	120 / 277	4.1 / 1.8	50/60	12/24	360	
<input type="radio"/> QTM400 DC	120 / 277	4.5 / 2.0	50/60	12/24	400	
<input type="radio"/> QTM500 DC	120 / 277	5.6 / 2.4	50/60	24	500	
<input type="radio"/> QTM600 DC	120 / 277	6.7 / 2.9	50/60	24	600	
<input type="radio"/> QTM60 DC+CAP	120 / 277	0.9 / 0.4	50/60	12/24	60	
<input type="radio"/> QTM100DC+CAP	120 / 277	1.3 / 0.5	50/60	12/24	100	
<input type="radio"/> QTM120DC+CAP	120 / 277	1.4 / 0.6	50/60	12/24	120	
<input type="radio"/> QTM200DC+CAP	120 / 277	2.4 / 1.0	50/60	24	200	

Q-Tran, Inc.  
239924  
CLASS:  
3425 - 15  
3425 - 95  
C US

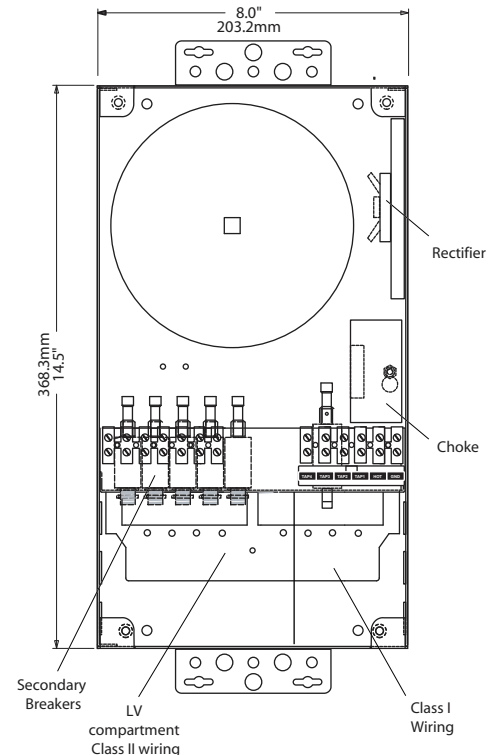


Q-TRAN, INC.  
MILFORD, CT U.S.A.  
(203) 367-8777  
WWW.Q-TRAN.COM

This product must be installed in accordance with the applicable installation code by a person familiar with the construction and operation of the product and the hazards involved.

- WALL MOUNT ONLY
- SUITABLE FOR DAMP LOCATIONS
- 50/60 CYCLE A.C. ONLY
- FOR SUPPLY CONNECTIONS USE WIRE RATED FOR AT LEAST 75 C.
- USE DIMMERS RATED FOR MAGNETIC LOW VOLTAGE LOAD
- MADE IN THE U.S.A.
- ISOLATION TOROIDAL TRANSFORMER

**LOW VOLTAGE LUMINAIRE POWER SUPPLY CENTER**



**Must test all voltage readings with a True RMS Voltage Meter.**

# Installation Instructions

QTM-DC+CAP Field Wiring Made Simple

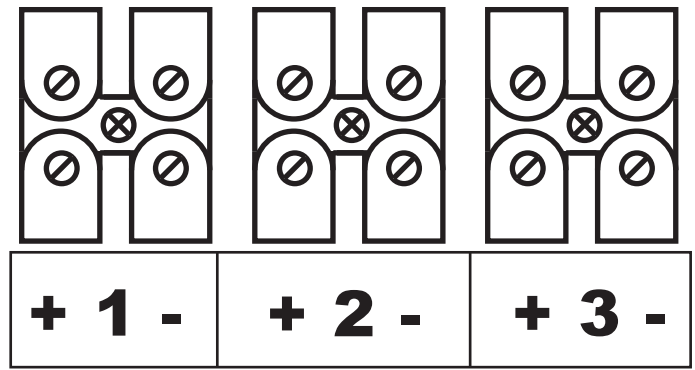
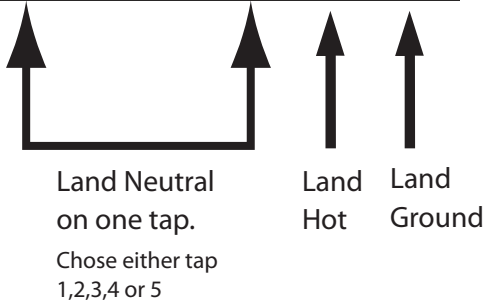
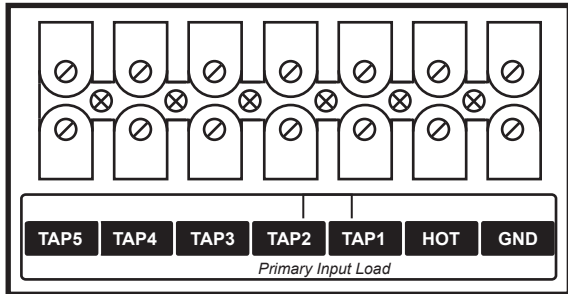


## PRIMARY

Line Voltage

## SECONDARY

Low Voltage



**RED = Positive**  
**YELLOW = Negative**

**NOTE:** Primary Input - connect the 120V hot into block labeled Hot. Connect the neutral wire into Tap 1 - Tap 5 depending on desired output Voltage.(Not to exceed 12V or 24V)

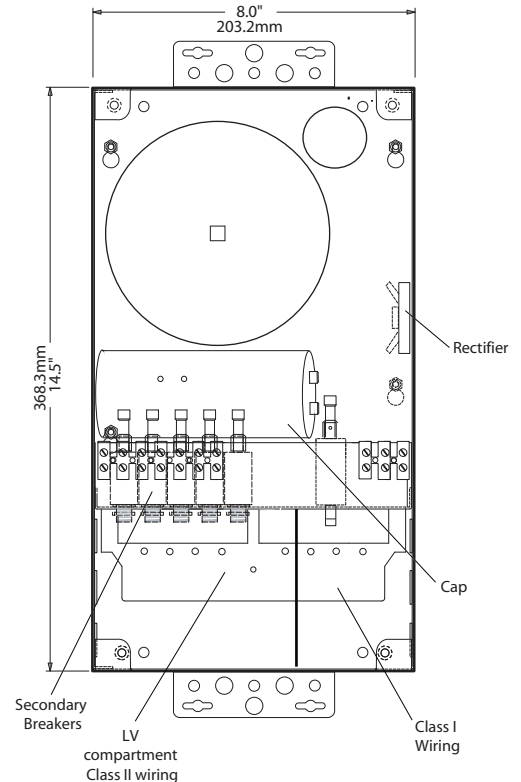
QTM-DC/DC+CAP		<input type="radio"/> 120VAC	<input type="radio"/> 230V/50Hz	<input type="radio"/> 277VAC	<input type="radio"/> 12V	<input type="radio"/> 24V
Model	Input Voltage (V)	Input Current (A)	Frequency	Nominal Output Voltage (VDC)	Nominal Output Wattage (W)	SECONDARY WIRE CONNECTION
<input type="radio"/> QTM60 DC	120 / 277	0.67 / 0.29	50/60	12/24	60	+ Red - Yellow
<input type="radio"/> QTM100 DC	120 / 277	1.1 / 0.49	50/60	12/24	100	
<input type="radio"/> QTM120 DC	120 / 277	1.3 / 0.58	50/60	12/24	120	
<input type="radio"/> QTM150 DC	120 / 277	1.7 / 0.7	50/60	12/24	150	
<input type="radio"/> QTM180 DC	120 / 277	2.0 / 0.87	50/60	12/24	180	
<input type="radio"/> QTM200 DC	120 / 277	2.3 / 0.98	50/60	12/24	200	
<input type="radio"/> QTM240 DC	120 / 277	2.7 / 1.2	50/60	12/24	240	
<input type="radio"/> QTM300 DC	120 / 277	3.4 / 1.5	50/60	12/24	300	
<input type="radio"/> QTM360 DC	120 / 277	4.1 / 1.8	50/60	12/24	360	
<input type="radio"/> QTM400 DC	120 / 277	4.5 / 2.0	50/60	12/24	400	
<input type="radio"/> QTM500 DC	120 / 277	5.6 / 2.4	50/60	24	500	
<input type="radio"/> QTM600 DC	120 / 277	6.7 / 2.9	50/60	24	600	
<input type="radio"/> QTM60 DC+CAP	120 / 277	0.9 / 0.4	50/60	12/24	60	
<input type="radio"/> QTM100DC+CAP	120 / 277	1.3 / 0.5	50/60	12/24	100	
<input type="radio"/> QTM120DC+CAP	120 / 277	1.4 / 0.6	50/60	12/24	120	
<input type="radio"/> QTM200DC+CAP	120 / 277	2.4 / 1.0	50/60	24	200	

This product must be installed in accordance with the applicable installation code by a person familiar with the construction and operation of the product and the hazards involved.

- WALL MOUNT ONLY
- FOR SUPPLY CONNECTIONS USE WIRE RATED FOR AT LEAST 75 C.
- SUITABLE FOR DAMP LOCATIONS
- USE DIMMERS RATED FOR MAGNETIC LOW VOLTAGE LOAD
- ISOLATION TOROIDAL TRANSFORMER
- 50/60 CYCLE A.C. ONLY
- MADE IN THE U.S.A.

**LOW VOLTAGE LUMINAIRE POWER SUPPLY CENTER**

Q-TRAN, INC. MILFORD, CT U.S.A. (203) 367-8777 WWW.Q-TRAN.COM



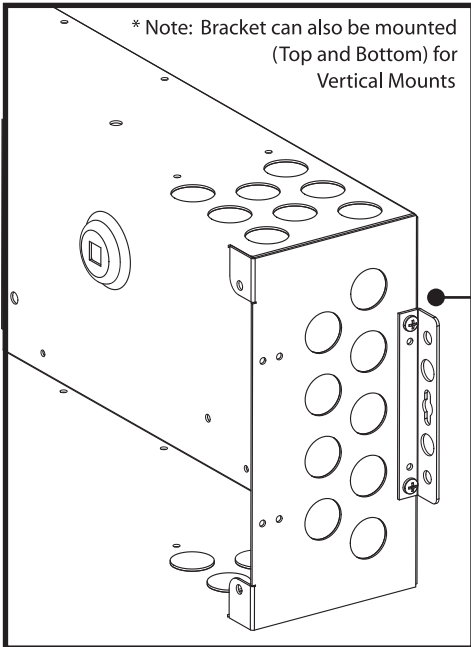
**Must test all voltage readings with a True RMS Voltage Meter.**



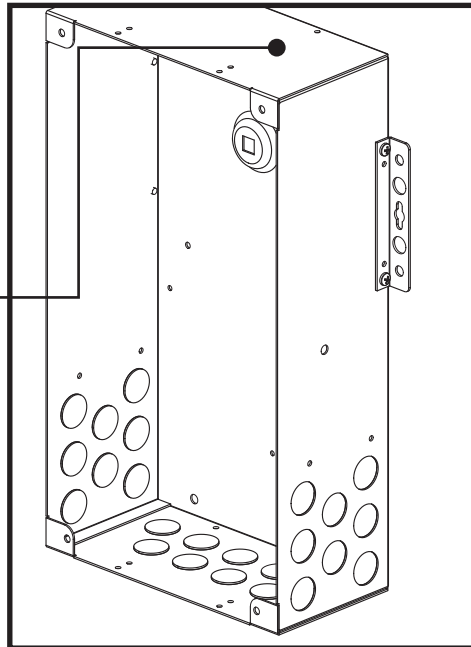
ENLIGHTENED THINKING™

# Installation Instructions

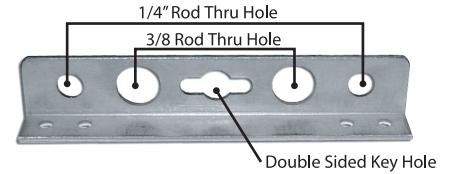
## QTM-DC & DC+CAP Housing Mounting



Surface Mount ( Horizontal )



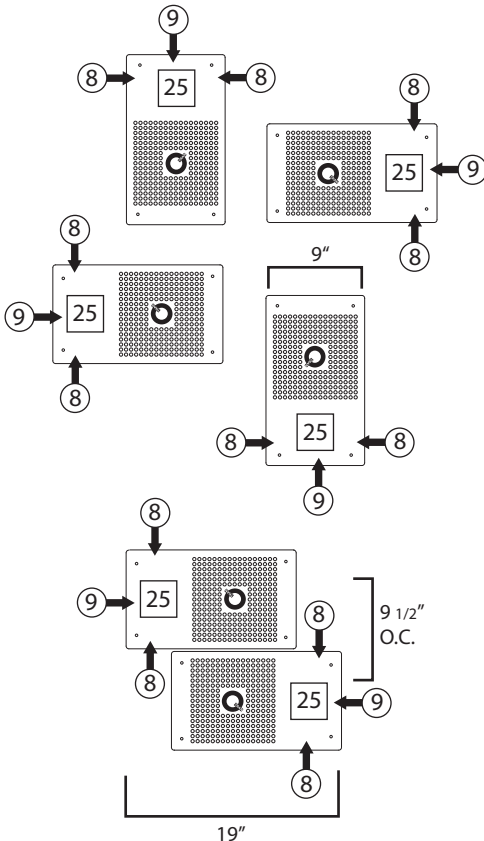
Surface Mount ( Vertical )



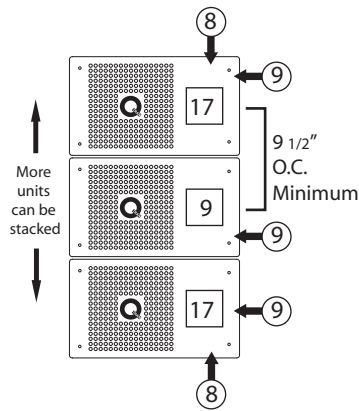
**This face of bracket mounts to: Wall**

### Surface Wall

Note: Surface Mounting can be done on six different planes.



### Surface Stacking



**Note:** knockouts are located where # are shown.

⊖ # = Number of available Knockouts per side  
# = Total number of available Knockouts per unit

### Surface Spacing

