



QTM-DC+CAP

Q-Tran has developed several products to power constant voltage LED products; including 12VDC and 24VDC linear products (like ribbon light and other linear technologies). The benefit of using the Q-Tran magnetic LED power supply is that our product can be controlled with a standard, forward-phase control dimmer known as a Magnetic Low Voltage dimmer (MLV). We now have available, and CSA listed to UL 2108 standard, 3 product categories that include a good way, a better way and the best way to power these types of LED products.

HOUSING

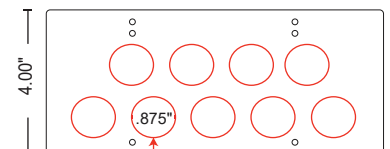
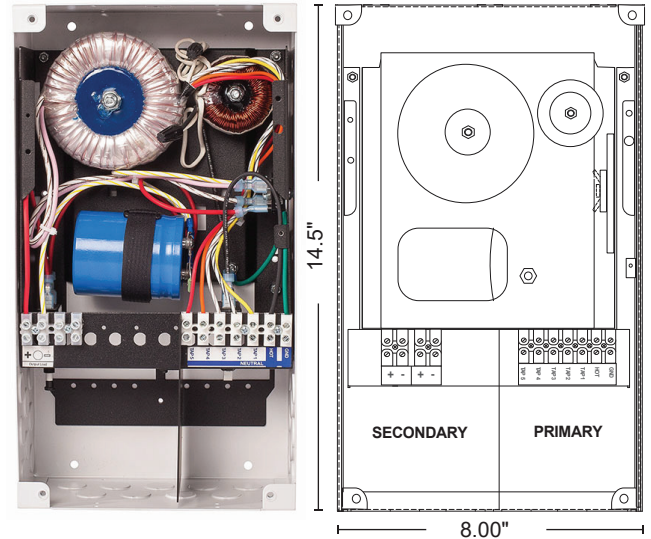
- 18 gauge Welded Steel Enclosure: 14.5"L x 8.00"W x 4.00"H
- Door: 15.5"L x 9.00"W
- Knockouts: 25
- Built-in support bracket incorporated to secure housing for surface mounting

MULTI-VOLT & TAPS

- Primary Taps: All units come standard with primary circuit protection
- Five (5) primary taps provide:
 - 12VDC : 12, 13, 14, 15, 16
 - 24VDC : 22, 24, 26, 28, 30
- Loads may be connected to one (1) of the primary taps up to the full watt rating of the PSC.
- No de-rating required.
- The advantage is that loads at varying distances from the PSC can be tapped to recover voltage drop and produce between 85%-100% light output. (See Q-TRAN Voltage drop Calculator)
- Secondary Circuit Protection: 1-2 magnetic circuit breakers.

TOROIDAL CHOKE

Q-Tran's Standard Choke, or "Debuzzing Coil" reduces noise when dimming and helps negate in-rush current that is prevalent with LED loads. It allows for quiet operation and eliminates nuisance tripping.



9 Knockouts of 0.875" Hole for 1/2" fitting

NOTE: 16 additional side knockouts

ORDERING GUIDE							
Model	1 Size	2 Prim. V	3 Sec. V	4 No	5 Brk Amp	6 Choke	7 Opts
QTM	-	-	/	-	x	+	CK-S +
1 Size	Max Load (Watts)	Secondary Voltage(12/24VDC)	Max Prim. Amps@120V	Max Prim. Amps@277V			
60DC+CAP	60W	12VDC	0.9 A	0.4 A			
120DC+CAP	120W	12VDC	1.4 A	0.6 A			
60DC+CAP	60W	24VDC	0.9 A	0.4 A			
100DC+CAP	100W	24VDC	1.3 A	0.5 A			
120DC+CAP	120W	24VDC	1.4 A	0.6 A			
200DC+CAP	200W	24VDC	2.4 A	1.0 A			
2 Primary Voltage							
120V(60Hz) 220V(50/60Hz)* 230V(50/60Hz)* 240V(50/60Hz)* 277V(60Hz)							
3 Secondary Voltage							
12VDC 24VDC							
4 Number of Breakers							
1-2							
5 Secondary Breaker Amperage							
AMPS	Max 12V Load	Max 24V Load	7 Options				
2.5	30W	60W	WH White (Standard)				
4	48W	96W	BK Black Powder Coat Finish				
5	60W	120W					
6 Choke							
CK-S: 50W-300W							
Ordering Example							
QTM-60DC+CAP-120/24-1x2.5+CK-S							

*Not Standard, Call Factory For options

LOW VOLTAGE LIGHTING POWER SUPPLY

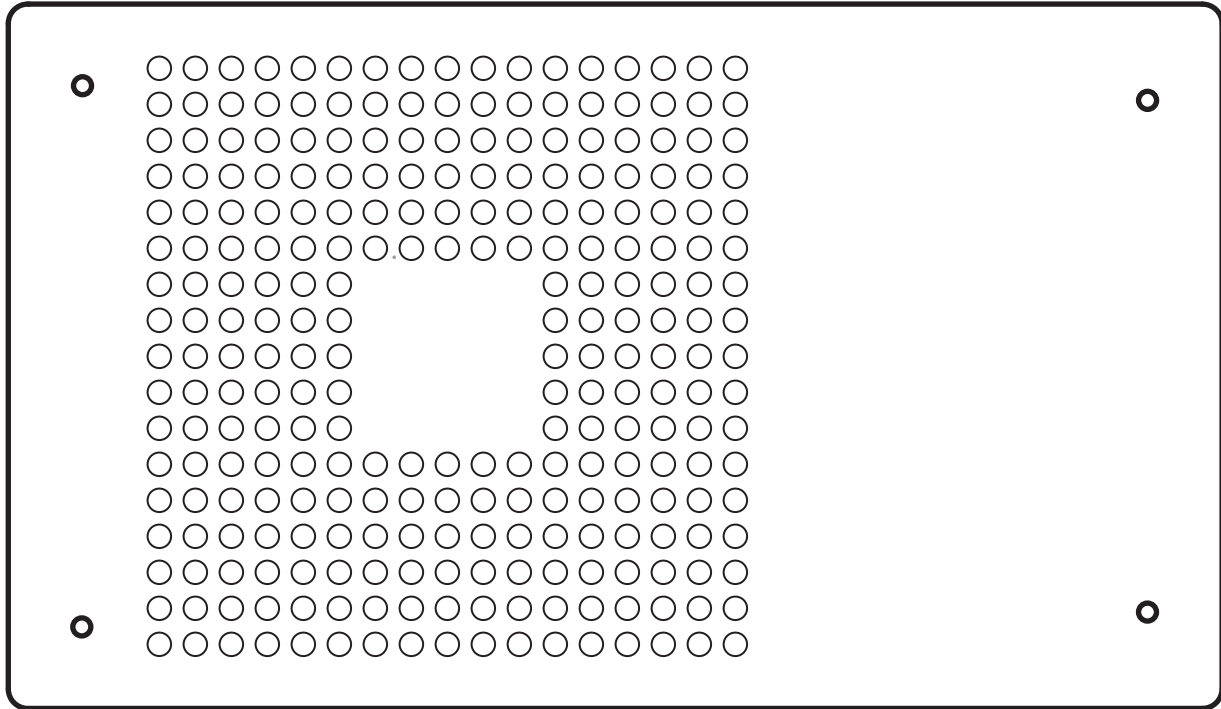
- TESTED TO UL 2108 STANDARD
- WALL MOUNT/ROD SUSPENSION
- FOR SUPPLY CONNECTIONS USE WIRE RATED FOR AT LEAST 75°C
- SUITABLE FOR DAMP LOCATIONS
- USE DIMMERS RATED FOR MAGNETIC LOW VOLTAGE LOAD WITH NEUTRAL WIRE
- ISOLATION TOROIDAL TRANSFORMER
- 50/60 CYCLE
- MADE IN THE U.S.A.

20200623-V2

PROJECT NAME	DATE	COMPANY	TYPE	NOTE

QTM-DC Power Supply (DC and DC+CAP) Installation Instructions

Must be installed by licensed electrician.



ENLIGHTENED THINKING®



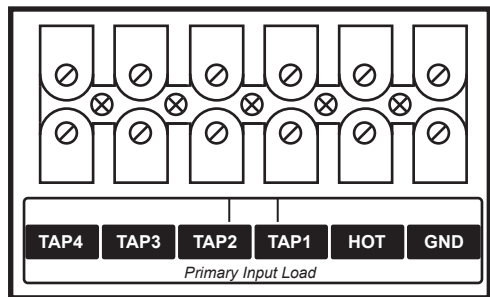
ENLIGHTENED THINKING®

Installation Instructions

QTM-DC Field Wiring Made Simple

PRIMARY

Line Voltage



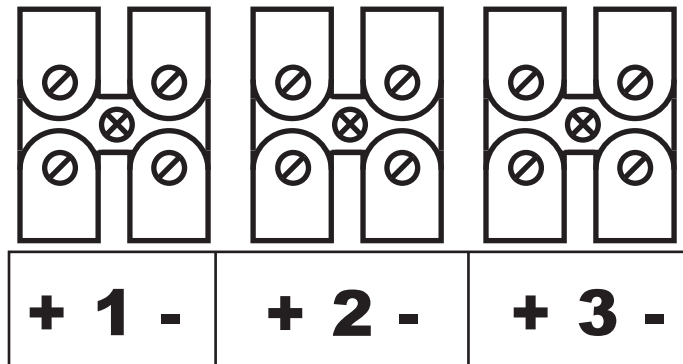
Land Neutral on one tap.
Chose either tap 1,2,3 or 4

Land Hot

Land Ground

SECONDARY

Low Voltage



RED = Positive
YELLOW = Negative

NOTE: Primary Input - connect the 120V hot into block labeled Hot. Connect the neutral wire into Tap 1 - Tap 5 depending on desired output Voltage.(Not to exceed 12V or 24V)

QTM-DC/DC+CAP 120VAC 230V/50Hz 277VAC 12V 24V

Model	Input Voltage (V)	Input Current (A)	Frequency	Nominal Output Voltage (VDC)	Nominal Output Wattage (W)	SECONDARY WIRE CONNECTION
QTM60 DC	120 / 277	0.67 / 0.29	50/60	12/24	60	+ Red - Yellow
QTM100 DC	120 / 277	1.1 / 0.49	50/60	12/24	100	
QTM120 DC	120 / 277	1.3 / 0.58	50/60	12/24	120	
QTM150 DC	120 / 277	1.7 / 0.7	50/60	12/24	150	
QTM180 DC	120 / 277	2.0 / 0.87	50/60	12/24	180	
QTM200 DC	120 / 277	2.3 / 0.98	50/60	12/24	200	
QTM240 DC	120 / 277	2.7 / 1.2	50/60	12/24	240	
QTM300 DC	120 / 277	3.4 / 1.5	50/60	12/24	300	
QTM360 DC	120 / 277	4.1 / 1.8	50/60	12/24	360	
QTM400 DC	120 / 277	4.5 / 2.0	50/60	12/24	400	
QTM500 DC	120 / 277	5.6 / 2.4	50/60	24	500	
QTM600 DC	120 / 277	6.7 / 2.9	50/60	24	600	
QTM60 DC+CAP	120 / 277	0.9 / 0.4	50/60	12/24	60	
QTM100DC+CAP	120 / 277	1.3 / 0.5	50/60	12/24	100	
QTM120DC+CAP	120 / 277	1.4 / 0.6	50/60	12/24	120	
QTM200DC+CAP	120 / 277	2.4 / 1.0	50/60	24	200	

Q-Tran, Inc.
239924
CLASS:
3425 - 15
3425 - 95
C US

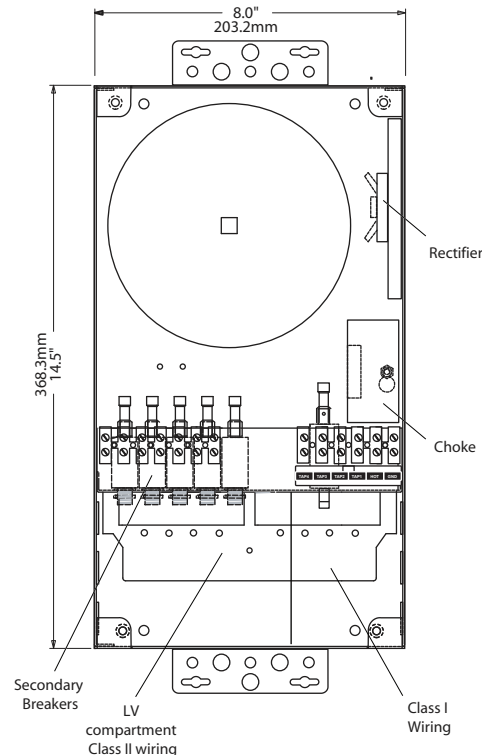
CE

Q-TRAN, INC.
MILFORD, CT U.S.A.
(203) 367-8777
WWW.Q-TRAN.COM

This product must be installed in accordance with the applicable installation code by a person familiar with the construction and operation of the product and the hazards involved.

- WALL MOUNT ONLY
- SUITABLE FOR DAMP LOCATIONS
- 50/60 CYCLE A.C. ONLY
- FOR SUPPLY CONNECTIONS USE WIRE RATED FOR AT LEAST 75 C.
- USE DIMMERS RATED FOR MAGNETIC LOW VOLTAGE LOAD
- MADE IN THE U.S.A.
- ISOLATION TOROIDAL TRANSFORMER

LOW VOLTAGE LUMINAIRE POWER SUPPLY CENTER



Must test all voltage readings with a True RMS Voltage Meter.

Installation Instructions

QTM-DC+CAP Field Wiring Made Simple

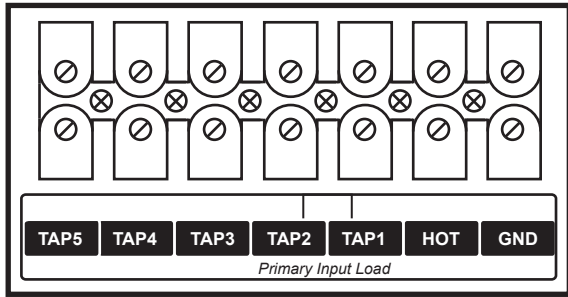


PRIMARY

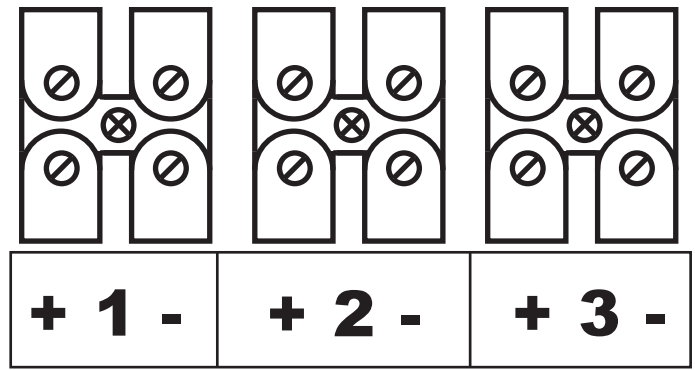
Line Voltage

SECONDARY

Low Voltage



Land Neutral on one tap.
Land Hot Land Ground
Chose either tap 1,2,3,4 or 5



RED = Positive
YELLOW = Negative

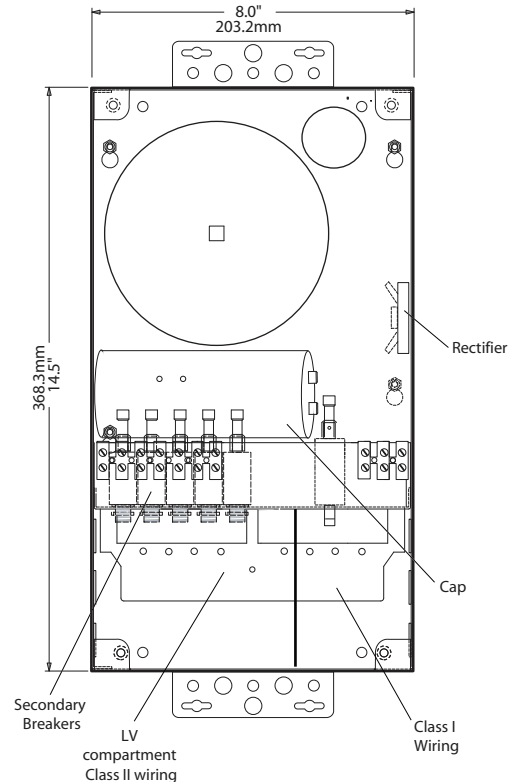
NOTE: Primary Input - connect the 120V hot into block labeled Hot. Connect the neutral wire into Tap 1 - Tap 5 depending on desired output Voltage.(Not to exceed 12V or 24V)

QTM-DC/DC+CAP		<input type="radio"/> 120VAC	<input type="radio"/> 230V/50Hz	<input type="radio"/> 277VAC	<input type="radio"/> 12V	<input type="radio"/> 24V
Model	Input Voltage (V)	Input Current (A)	Frequency	Nominal Output Voltage (VDC)	Nominal Output Wattage (W)	SECONDARY WIRE CONNECTION
<input type="radio"/> QTM60 DC	120 / 277	0.67 / 0.29	50/60	12/24	60	+ Red - Yellow
<input type="radio"/> QTM100 DC	120 / 277	1.1 / 0.49	50/60	12/24	100	
<input type="radio"/> QTM120 DC	120 / 277	1.3 / 0.58	50/60	12/24	120	
<input type="radio"/> QTM150 DC	120 / 277	1.7 / 0.7	50/60	12/24	150	
<input type="radio"/> QTM180 DC	120 / 277	2.0 / 0.87	50/60	12/24	180	
<input type="radio"/> QTM200 DC	120 / 277	2.3 / 0.98	50/60	12/24	200	
<input type="radio"/> QTM240 DC	120 / 277	2.7 / 1.2	50/60	12/24	240	
<input type="radio"/> QTM300 DC	120 / 277	3.4 / 1.5	50/60	12/24	300	
<input type="radio"/> QTM360 DC	120 / 277	4.1 / 1.8	50/60	12/24	360	
<input type="radio"/> QTM400 DC	120 / 277	4.5 / 2.0	50/60	12/24	400	
<input type="radio"/> QTM500 DC	120 / 277	5.6 / 2.4	50/60	24	500	
<input type="radio"/> QTM600 DC	120 / 277	6.7 / 2.9	50/60	24	600	
<input type="radio"/> QTM60 DC+CAP	120 / 277	0.9 / 0.4	50/60	12/24	60	
<input type="radio"/> QTM100DC+CAP	120 / 277	1.3 / 0.5	50/60	12/24	100	
<input type="radio"/> QTM120DC+CAP	120 / 277	1.4 / 0.6	50/60	12/24	120	
<input type="radio"/> QTM200DC+CAP	120 / 277	2.4 / 1.0	50/60	24	200	

This product must be installed in accordance with the applicable installation code by a person familiar with the construction and operation of the product and the hazards involved.

- WALL MOUNT ONLY
- SUITABLE FOR DAMP LOCATIONS
- 50/60 CYCLE A.C. ONLY
- FOR SUPPLY CONNECTIONS USE WIRE RATED FOR AT LEAST 75 C.
- USE DIMMERS RATED FOR MAGNETIC LOW VOLTAGE LOAD
- MADE IN THE U.S.A.

LOW VOLTAGE LUMINAIRE POWER SUPPLY CENTER



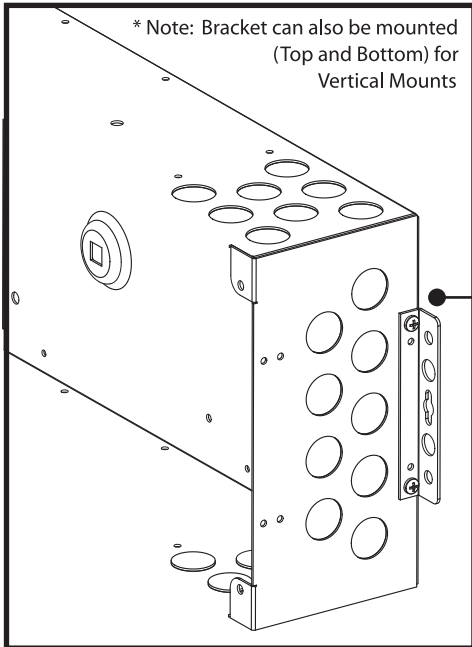
Must test all voltage readings with a True RMS Voltage Meter.



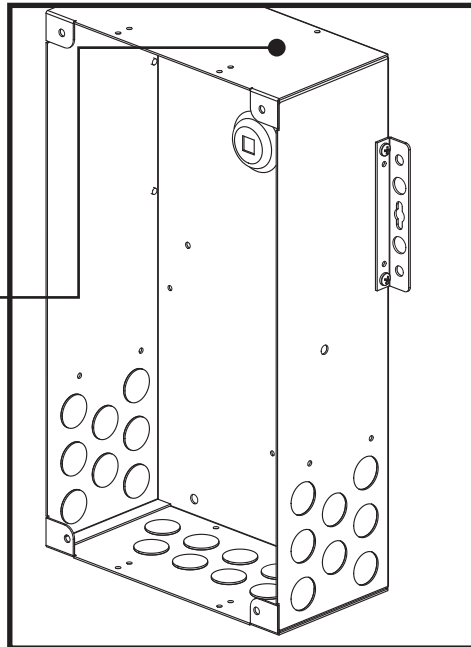
ENLIGHTENED THINKING™

Installation Instructions

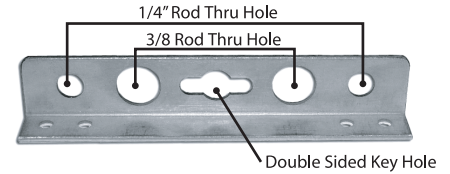
QTM-DC & DC+CAP Housing Mounting



Surface Mount (Horizontal)



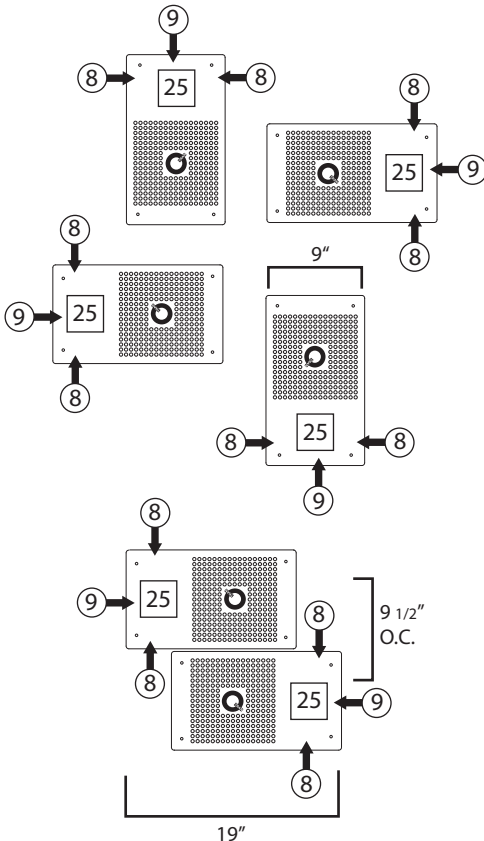
Surface Mount (Vertical)



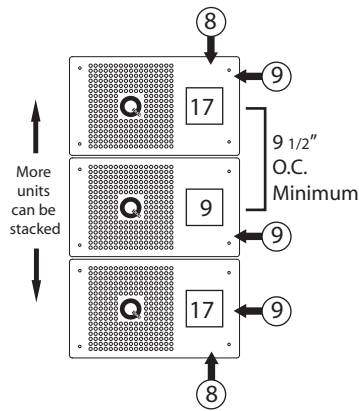
This face of bracket mounts to: Wall

Surface Wall

Note: Surface Mounting can be done on six different planes.



Surface Stacking



Note: knockouts are located where # are shown.

⊖ # = Number of available Knockouts per side
= Total number of available Knockouts per unit

Surface Spacing

