



QTM-eLED INSTALLATION INSTRUCTIONS

Must be installed by licensed electrician.



QTM-eLED

WARNING

Risk of Fire / Electric Shock



Transformer should be installed by a Licensed electrician in accordance with the N.E.C. and all local codes in force.

- Wear rubber shoes and work on a sturdy wooden or fiberglass ladder.
- This power supply must be installed according to the National Electric Code and local codes and ordinances.
- This power Supply is to be installed and serviced only by an licensed electricians.
- This power supply is to be installed so that it is not likely to be contacted by people.
- To avoid a hazard to children, account for all parts and destroy all packaging materials.
- This power Supply is to be installed and serviced only by an licensed electrician.
- Do not install in wet locations.



LOW VOLTAGE LIGHTING SYSTEM
CLASS: 3425 - 15
3425 - 95



QTM-eLED

QTM-eLED is Q-Tran's surface or recessed mount, interior rated electronic power supply, utilizing 60W or 100W constant voltage LED Driver from Thomas Research. These drivers provide a 12VDC or 24VDC, constant voltage output, with optional 0-10V dimming modules.

HOUSING

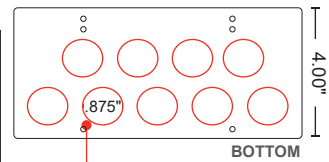
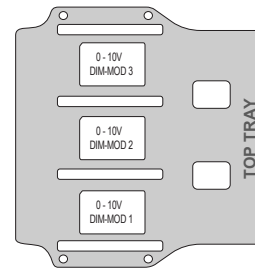
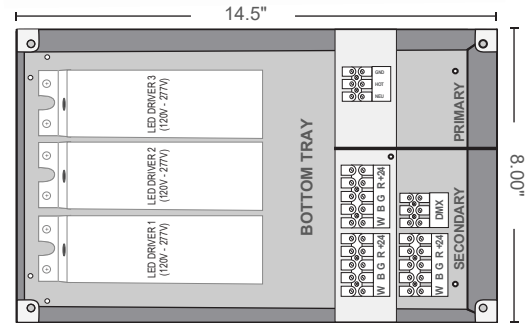
- 18 gauge Welded Steel Enclosure: 14.5"W x 8.00"H x 4.00"D
- Door: 15.5"W x 9.00"H
- Knockouts: 25
- Built-in support bracket incorporated to secure housing for surface mounting

FEATURES

- Limited output voltage and current, plus isolation for safe operation
- Dimmable w/ additional 0-10V Dimming Module
- Fully potted driver(s) for moisture resistance
- Suitable for dry and damp locations
- Suitable for surface or recessed mounting use
- Primary Voltage - Universal (120-277V)
- Wide operating temperature range: -40 degF to 104 degF
- Fits up to (3): 60W 12VDC or (3):100W 24VDC driver(s) and 0-10V dimming module(s) in the same housing
- 5 year warranty
- Driver has Class A sound rating
- Class 2 Output
- CSA #239924

Low Voltage Lighting Systems

- : CSA Class 3425-15 and Class 3425-95
- : CSA Standard C22.2 No. 250.0-08 - Luminaires
- : ANSI/ UL Standard 2108 - Low Voltage Lighting Systems
- : CSA Std C22.2 No 250.13-14 - Light Emitting Diode (LED) Equipment for Lighting Applications
- : ANSI/ UL Standard 8750 - Light Emitting Diode (LED) Equipment for Use in Lighting Products



9 Knockouts of 0.875" Hole for 1/2" fitting

NOTE: 16 additional side knockouts

VOLTAGE DROP CHART										
VDC	Watts (W)	10 AWG (5.6mm ²)	12 AWG (3.3mm ²)	14 AWG (3.0mm ²)	16 AWG (1.3mm ²)	18 AWG (0.78mm ²)	20 AWG (0.50mm ²)	22 AWG (0.33mm ²)	24 AWG (0.20mm ²)	26 AWG (0.13mm ²)
12	12	315'	198'	125'	78'	49'	31'	19'	12'	7'
	25	115'	72'	45'	28'	18'	11'	7'	4'	4'
	60	7'	4'	3'						
24	17	897'	564'	355'	223'	140'	88'	55'	35'	22'
	25	567'	356'	224'	141'	88'	56'	35'	22'	14'
	40	309'	194'	122'	77'	48'	30'	30'	12'	7'
	80	130'	82'	51'	32'	20'	13'	8'	5'	3'
	100	84'	53'	33'	21'	13'	8'	5'	3'	

*Distances are based on a 5% Voltage drop max.

- This product must be installed in accordance with the applicable installation code by a person familiar with the construction and operation of the product and the hazards involved
- If dimming with optional 0-10V dimming module, use a dimmer rated for 0-10V operation

ORDERING GUIDE					
Model	Size	Prim. V	Sec. V	Dimmer	Opts
QTM-eLED	-	UNV	/	+	-
1 Size	Max Load (Watts)	Secondary Voltage(12/24VDC)	Max Prim. Amps @ 120V	Max Prim. Amps @ 277V	
60W	1x60W	12VDC	0.60 A	0.29 A	
120W	2x60W	12VDC	1.20 A	0.58 A	
180W	3x60W	12VDC	1.80 A	0.87 A	
100W	1x100W	24VDC	0.95 A	0.40 A	
200W	2x100W	24VDC	1.90 A	0.80 A	
300W	3x100W	24VDC	2.85 A	1.20 A	
2 Primary Voltage					
UNV: 120-277 Vrms					
3 Secondary Voltage					
12VDC 24VDC					
4 Dimmer					
0-10V					
5 Options					
WH White (Standard) BK Black Powder Coat Finish					
Ordering Example					
QOM-eLED-100-UNV/24V+0-10V					



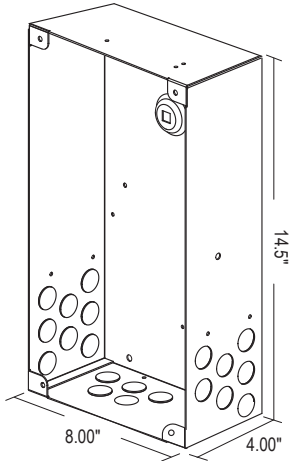
LOW VOLTAGE LIGHTING SYSTEM
CLASS: 3425 - 15
3425 - 95



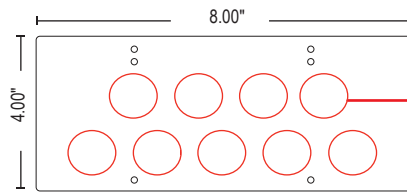
QTM-eLED

Housing & Mounting Options

QTM HOUSING

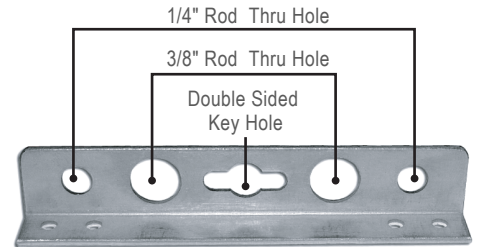


ISOMETRIC VIEW



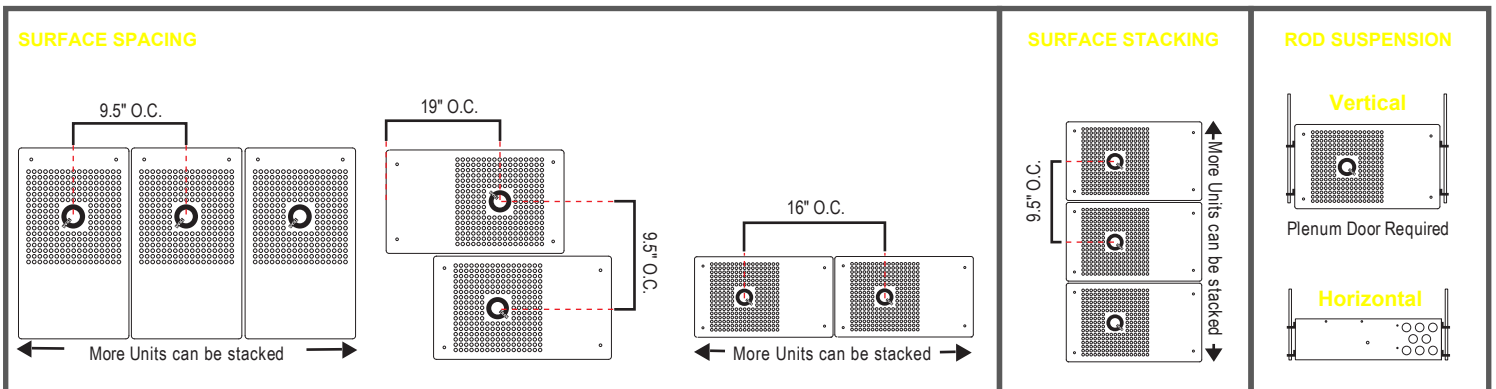
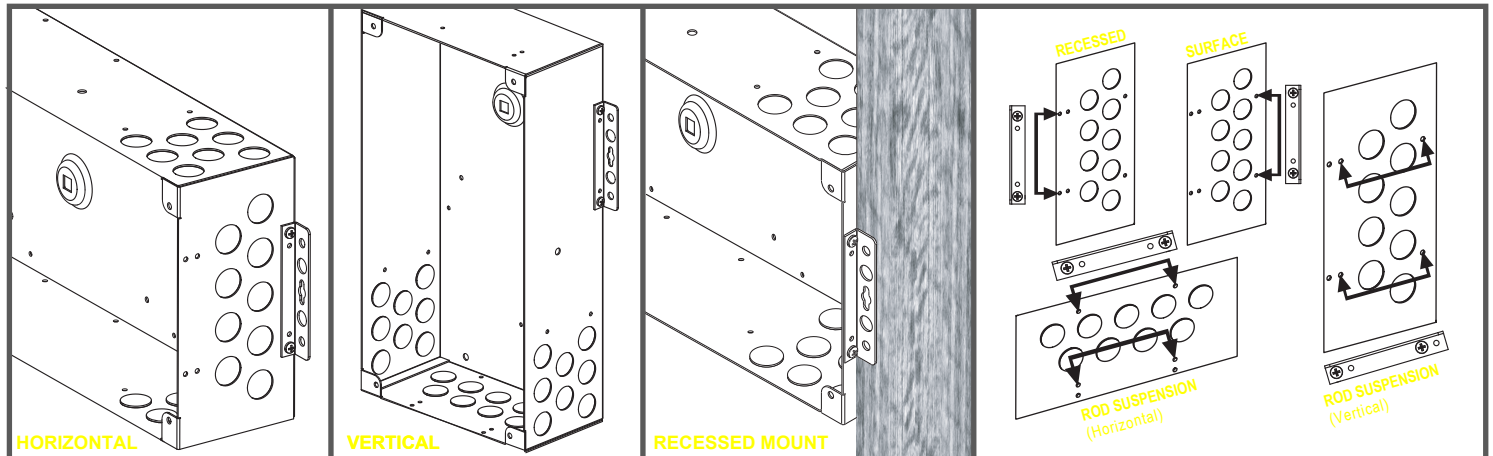
BOTTOM VIEW

0.875" KNOCKOUT 9X
(FOR 1/2" FITTINGS)



NOTE: Bracket can also be mounted (Top & Bottom) for Vertical Mounts.

MOUNTING OPTIONS



NOTE: Rods not included.

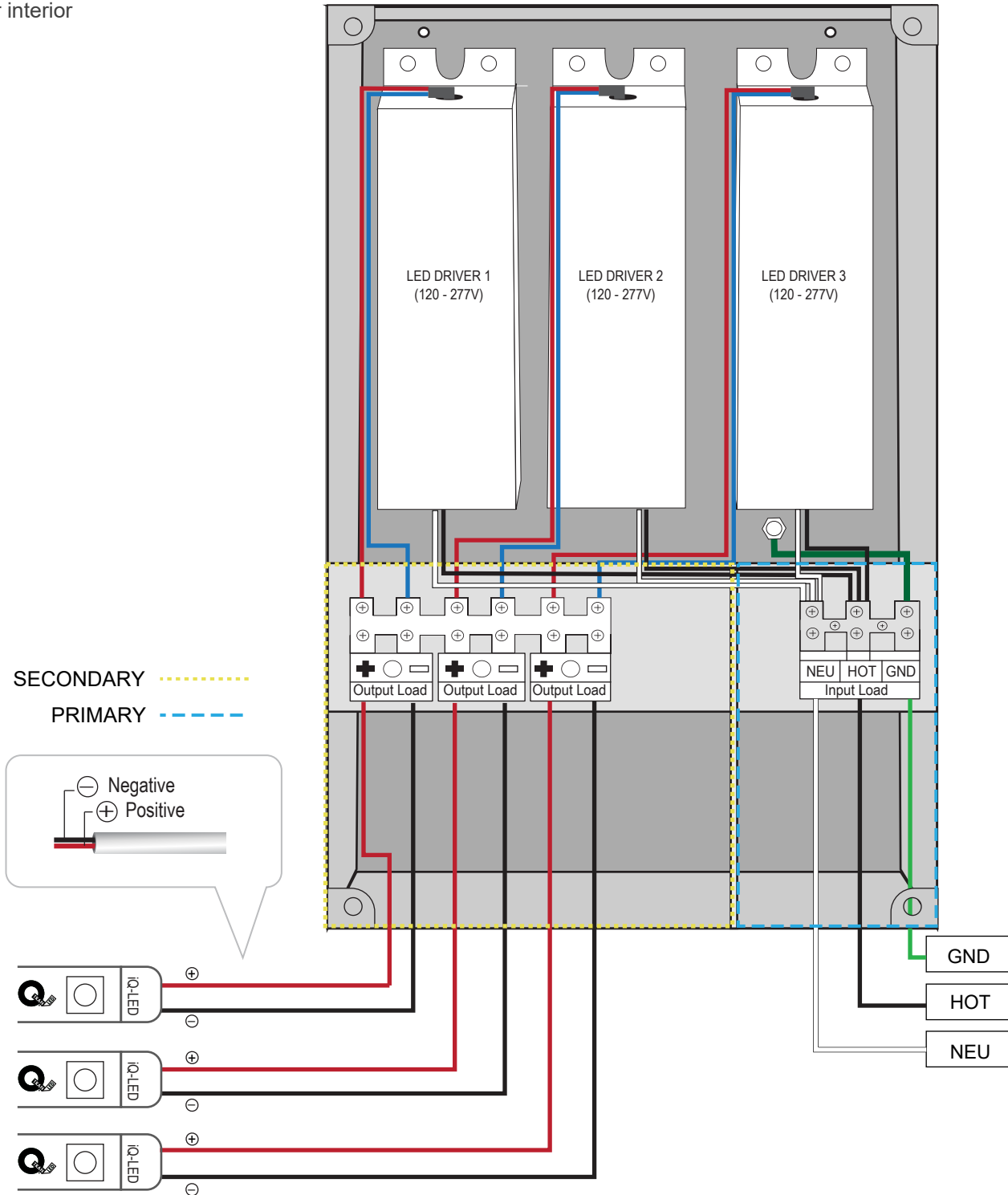


QTM-eLED

Driver with no Dimming Module

QTM-eLED

: for interior



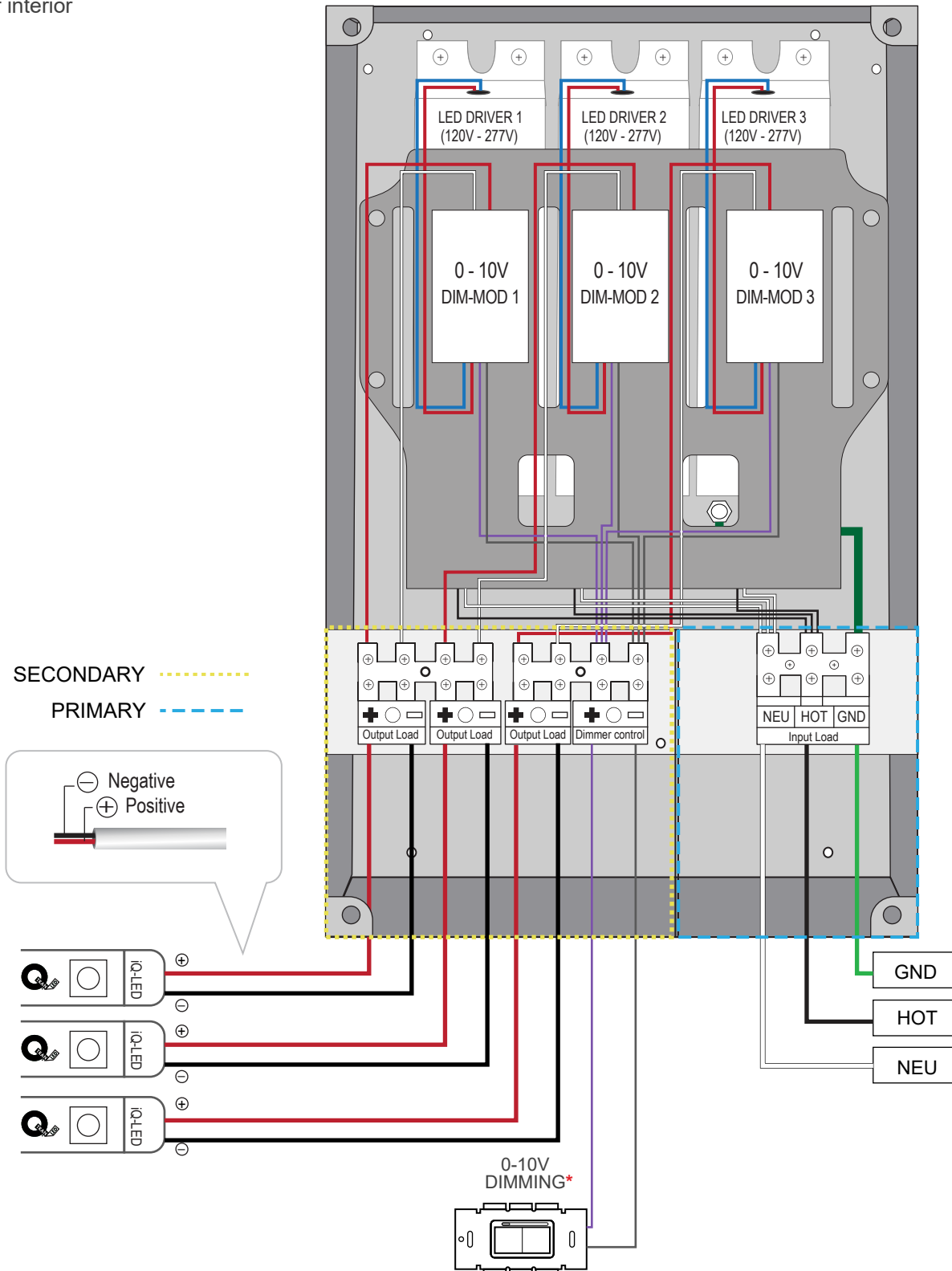


QTM-eLED

Driver with Dimming Module

QTM-eLED+0-10V

: for interior



*Customer provided



QTM-eLED
CSA LABEL

CSA REQUIREMENTS

- Suitable for Indoor use
- This power supply must be installed according to the National Electric Code and local codes and ordinances and in accordance with applicable installation code by a person familiar with the construction and operation of the product and the hazards involved.
- Wear rubber shoes and work on a sturdy wooden or fiberglass ladder.
- This power supply is to be installed in a location where it is not likely to be contacted by non-electricians.
- To avoid a hazard to children, account for all parts and destroy all packaging materials.

QTM-eLED		INPUT VOLTAGE			OUTPUT VOLTAGE		CONTROL TYPE
		120V - 277V			12V	24V	0-10V DMX WD AW
Model	Input Voltage (V)	Input Current (A)	Frequency	Nominal Output Voltage (VDC)	Nominal Output Wattage (W)		
QTM-eLED-60	120 / 277	0.60 / 0.29	50/60	12	60		
QTM-eLED-120	120 / 277	1.20 / 0.58	50/60	12	120		
QTM-eLED-180	120 / 277	1.80 / 0.87	50/60	12	180		
QTM-eLED-100	120 / 277	0.95 / 0.40	50/60	24	100		
QTM-eLED-200	120 / 277	1.90 / 0.80	50/60	24	200		
QTM-eLED-300	120 / 277	2.85 / 1.20	50/60	24	300		

<ul style="list-style-type: none"> • Type Ic Recessed, Inherently Protected Type IC ENCASTRE, PROTECTION INHÉRENTE • For Supply Connections Use Wire Rated For At Least 60 C. • Suitable For Damp Locations CONVIENT AUX EMPLACEMENTS HUMIDES • 50/60 Cycle • Class 1 or Class 2 	<p>This product must be installed in accordance with the applicable installation code by a person familiar with the construction and operation of the product and the hazards involved.</p> <p>CE PRODUIT DOIT ÊTRE INSTALLÉ SELON LE CODE D'INSTALLATION PERTINENT, PAR UNE PERSONNE QUI CONNAÎT BIEN LE PRODUIT ET SON FONCTIONNEMENT AINSI QUE LES RISQUES INHÉRENTS.</p> <p>WARNING: RISK OF FIRE. IF INSTALLATION INVOLVES RUNNING WIRE THROUGH A BUILDING STRUCTURE, SPECIAL WIRING METHODS ARE NEEDED. CONSULT A QUALIFIED ELECTRICIAN</p>	<p>LOW VOLTAGE LIGHTING SYSTEM</p> <p>Q-Tran, Inc. CLASS: 3425 - 15 3425 - 95</p>	<p>Q-TRAN, INC. MILFORD, CT U.S.A. (203) 367-8777 WWW.Q-TRAN.COM</p>
---	--	---	--