



# QTM-eLED(E)

**QTM-eLED(E)** is Q-Tran's interior rated electronic power supply, utilizing the Hi-Lume driver with EcoSystem from Lutron. Suitable for surface or recessed mounting use. These drivers provide a 24VDC constant voltage output dimmable via EcoSystem or with a dimmed line.

## HOUSING

- 18 gauge Welded Steel Enclosure: 14.5"W x 8.00"H x 4.00"D
- Door: 15.5"W x 9.0"H
- Knockouts: 25
- Built-in support bracket incorporated to secure housing for surface mounting

## FEATURES

- Limited output voltage and current, plus isolation for safe operation
- Continuous, flicker-free dimming from 100% to 1%.
- Fully potted driver(s) for moisture resistance
- Suitable for dry and damp locations
- Dimmable with EcoSystem
- Suitable for surface or recessed mounting use
- Primary Voltage - (120-277 V)
- Wide operating temperature range: 32°F -149°F
- 100% performance tested at factory.
- A rated lifetime of 50,000 hours @ tc =149 °F (65 °C).
- Fits up to 5 of the 40W drivers in the same housing
- 5 year warranty
- Class 2 Output
- CSA #239924

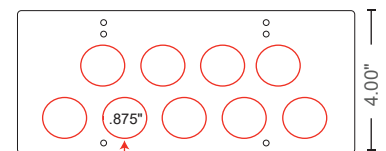
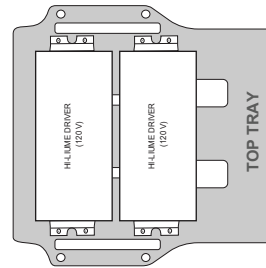
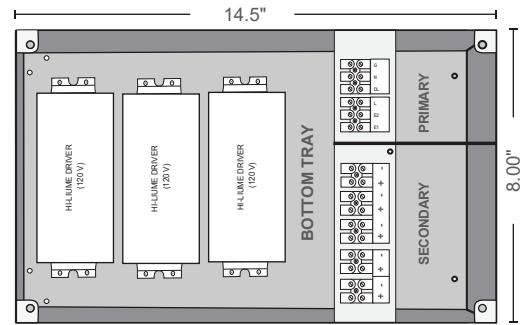
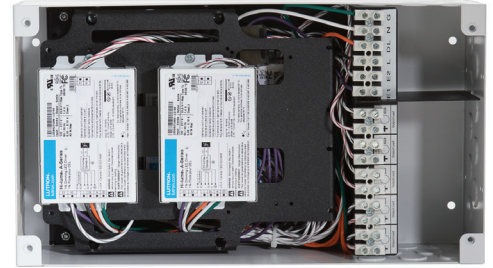
### Low Voltage Lighting Systems

- CSA Class 3425-15 and Class 3425-95
- CSA Standard C22.2 No. 250.0-08 - Luminaires
- ANSI/ UL Standard 2108 - Low Voltage Lighting Systems
- CSA Std C22.2 No 250.13-14 - Light Emitting Diode (LED) Equipment for Lighting Applications
- ANSI/ UL Standard 8750 - Light Emitting Diode (LED) Equipment for Use in Lighting Products

## WIRE LENGTH TABLE

VOLTAGE DROP CHART										
VDC	Watts (W)	10 AWG (5.6mm <sup>2</sup> )	12 AWG (3.3mm <sup>2</sup> )	14 AWG (3.0mm <sup>2</sup> )	16 AWG (1.3mm <sup>2</sup> )	18 AWG (0.78mm <sup>2</sup> )	20 AWG (0.50mm <sup>2</sup> )	22 AWG (0.33mm <sup>2</sup> )	24 AWG (0.20mm <sup>2</sup> )	26 AWG (0.13mm <sup>2</sup> )
24	12	897'	564'	125'	78'	49'	31'	19'	12'	7'
	25	597'	356'	45'	28'	18'	11'	7'	4'	3'
	40	309'	194'	122'	77'	48'	30'	30'	12'	7'

- \* Distances are based on a 5% Voltage drop max.
- This product must be installed in accordance with the applicable installation code by a person familiar with the construction and operation of the product and the hazards involved.



9 Knockouts of 0.875" Hole for 1/2" fitting

NOTE: 16 additional side knockouts

ORDERING GUIDE				
Model	Size	Prim. V	Sec. V	Opts
QTM-eLED(E)	-	UNV	/ 24	-
1 Size	Max Load (Watts)	Secondary Voltage(24VDC)	Max Prim. Amps @ 120V	
40W	1x40W	24VDC	0.9 A	
80W	2x40W	24VDC	1.4 A	
120W	3x40W	24VDC	2.0 A	
160W	4x40W	24VDC	2.6 A	
200W	5x40W	24VDC	3.0 A	
2 Primary Voltage				
UNV: 120-277 Vrms				
3 Secondary Voltage				
24VDC				
4 Options				
WH White ( Standard ) BK Black Powder Coat Finish				
Ordering Example				
<b>QTM-eLED(E)-40-120/24</b>				

PROJECT NAME	DATE	COMPANY	TYPE	NOTE



QTM-eLED(E)

# SPECIFICATIONS

## SPECIFICATIONS

Input	24VDC					
	<ul style="list-style-type: none"> <li>Input Voltage (Vrms)</li> <li>Input current, max (Arms)</li> <li>Inrush Current, max* (Apk)</li> </ul>	120 0.37 2	240 0.19 2	277 0.17 2		
<ul style="list-style-type: none"> <li>Input Frequency</li> <li>Input Power (W)</li> </ul>	50/60 44					
Output						
<ul style="list-style-type: none"> <li>Output Voltage, nom (V)</li> <li>Output Current (A)</li> <li>Output Power (W)</li> <li>Efficiency</li> <li>Power Dimming Frequency</li> </ul>	---	24 1.7 40	---			
	86%	87%	88%			
	---	550HZ	---			
Environmental	Min	Nom	Max	Min	Nom	Max
<ul style="list-style-type: none"> <li>THD (%)**</li> <li>PF (%)**</li> <li>Case Temp (°C)</li> </ul>	---	---	20	---	---	20
	0.90	---	---	0.90	---	---
	---	---	90	---	---	90

\*- 200us event

\*\*Loads > 25W

### Protections

- Thermal Foldback
- Inrush Current limited
- Open Circuit protected
- Short Circuit Protection (SCP)
- Class 2 Output

### Compliance

- EMI Spec : FCC 47 Part 15  
: CISPR 15  
: CISPR 22 Class A
- CSA Certified : UL-2108  
: UL-8750  
: CSA C22.2 No 250.13-14  
: CSA C22.2 No 250.0-08



## PERFORMANCE

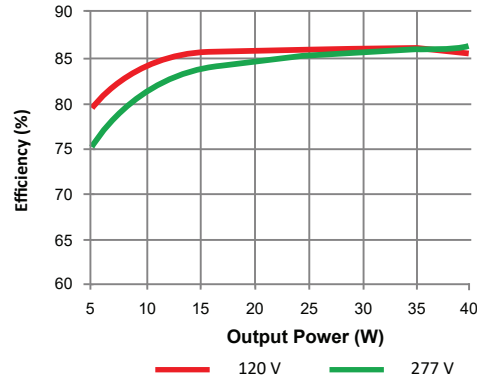
- Power Supply
  - Rated for surface mount or recessed use
  - Fully rated to operate low voltage load at listed wattage (No Derating Required)
  - Voltage regulation to 5% or less of rated output voltage
  - Universal input range of 120-277 Vrms
- Low Voltage Lighting Systems**
  - CSA Class 3425-15 and Class 3425-95
  - Short circuit protection (SCP)
  - Overload protection (OLP)
  - Live tested by manufacture to ensure proper operation
  - Manufacturer offers minimum of 5 year warranty
- Terminal blocks is made of tin plated copper with a voltage rating of 300V and a current rating of 40A



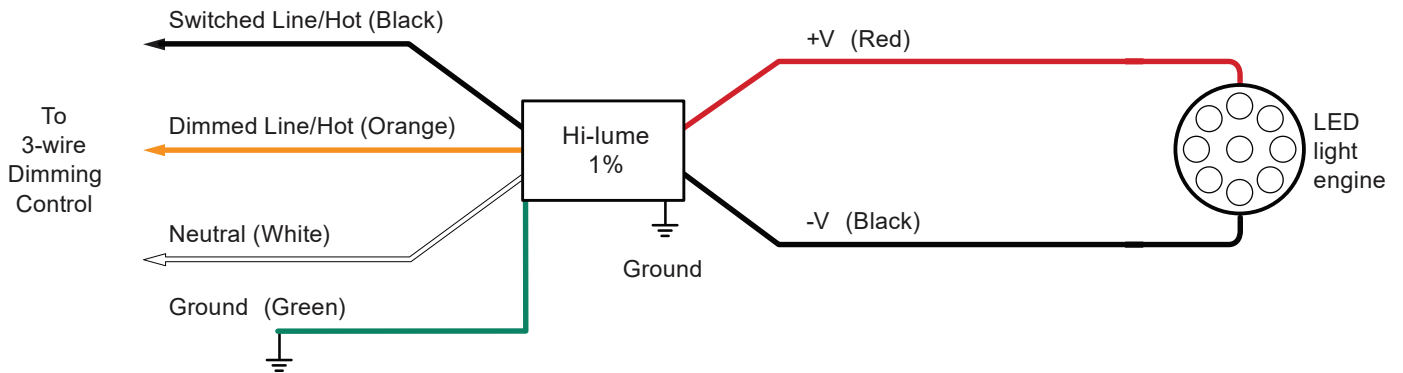
QTM-eLED(E)

# SPECIFICATIONS

**Driver Efficiency vs. Output Power at 24V**



## Wiring Diagram for 3-Wire Control



## Wiring Diagram for EcoSystem Digital Control

