



QTM-eLED+DMX

QTM-eLED is Q-Tran's interior rated surface or recess mounted electronic DMX power supply, utilizing 100W constant voltage LED Driver from Thomas Research. With the ability to fit up to 300W of power and control in one enclosure, this unit provides plenty of flexibility and comes with all decoders prewired together with terminal blocks for landing your RGB or RGBW wires.

HOUSING

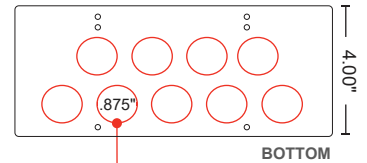
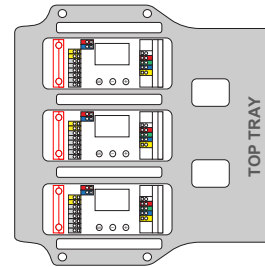
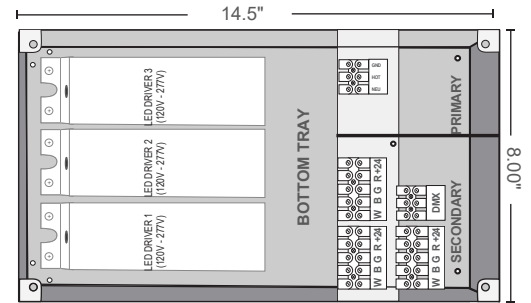
- 18 gauge Welded Steel Enclosure: 14.5"W x 8.00"H x 4.00"D
- Door: 15.5"W x 9.00"H
- Knockouts: 25
- Built-in support bracket incorporated to secure housing for surface mounting

FEATURES

- Limited output voltage and current, plus isolation for safe operation
- Fully potted driver(s) for moisture resistance
- Controllable with DMX decoder module
- Control 4 LED channels with DMX
- Suitable for dry and damp locations
- Suitable for surface or recessed mounting use
- Primary Voltage - Universal (120-277V)
- Wide operating temperature range: -4 degF to 122 degF
- Fits up to (3):100W 24 VDC driver(s) and DMX decoder module(s)
- DMX dimming down to 0%
- Driver has Class A sound rating
- Class 2 Output
- 5 year warranty
- CSA #239924

Low Voltage Lighting Systems

- : CSA Class 3425-15 and Class 3425-95
- : CSA Standard C22.2 No. 250.0-08 - Luminaires
- : ANSI/ UL Standard 2108 - Low Voltage Lighting Systems
- : ANSI/ UL Standard 8750 - Light Emitting Diode (LED) Equipment for Use in Lighting Products
- : CSA Std C22.2 No 250.13-14 - Light Emitting Diode (LED) Equipment for Lighting Applications



9 Knockouts of 0.875" Hole for 1/2" fitting

NOTE: 16 additional side knockouts

ORDERING GUIDE					
Model	Size	Prim. V	Sec. V	DMX	Opts
QTM-eLED	-	UNV	/	24	+ DMX -
1 Size	Max Load (Watts)	Secondary Voltage(24VDC)	Max Prim. Amps @ 120V	Max Prim. Amps @ 277V	
100W	1x100W	24VDC	0.95 A	0.40 A	
200W	2x100W	24VDC	1.90 A	0.80 A	
300W	3x100W	24VDC	2.85 A	1.20 A	
2 Primary Voltage					
UNV: 120-277 Vrms					
3 Secondary Voltage					
24VDC					
4 DMX					
DMX					
5 Options					
WH White (Standard) BK Black Powder Coat Finish					
Ordering Example					
QTM-eLED-100-UNV/24V+DMX					



LOW VOLTAGE LIGHTING SYSTEM
CLASS: **3425 - 15**
3425 - 95

2020-01-10-V1

PROJECT NAME	DATE	COMPANY	TYPE	NOTE



QTM-eLED+DMX

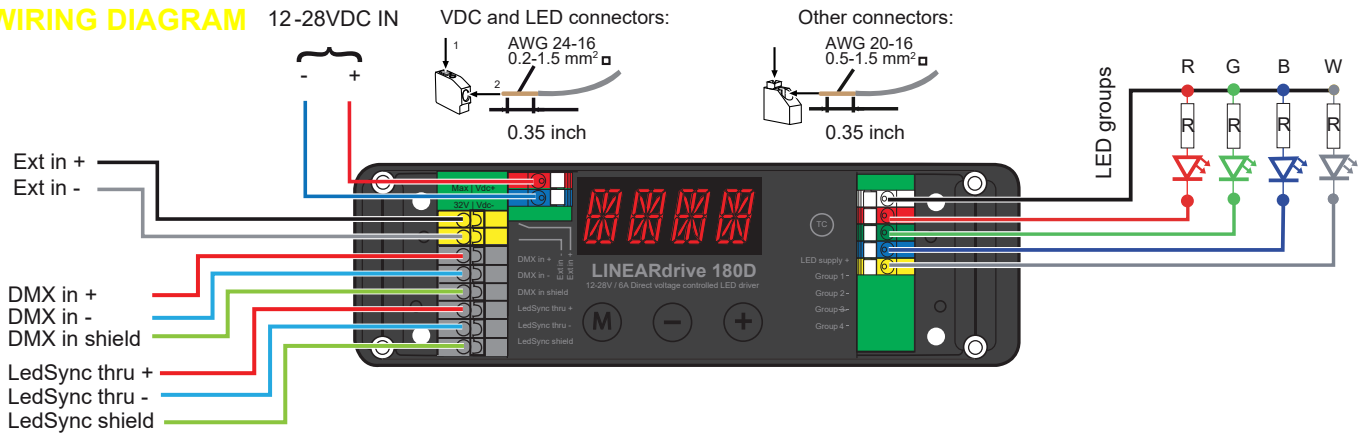
SPECIFICATIONS

WIRE LENGTH TABLE

VOLTAGE DROP CHART										
VDC	Watts (W)	10 AWG (5.6mm ²)	12 AWG (3.3mm ²)	14 AWG (2.0mm ²)	16 AWG (1.3mm ²)	18 AWG (0.78mm ²)	20 AWG (0.50mm ²)	22 AWG (0.33mm ²)	24 AWG (0.20mm ²)	26 AWG (0.13mm ²)
24	17	897'	564'	355'	223'	140'	88'	55'	35'	22'
	25	567'	356'	224'	141'	88'	56'	35'	22'	14'
	40	309'	194'	122'	77'	48'	30'	19'	12'	7'
	80	130'	82'	51'	32'	20'	13'	8'	5'	3'
	100	84'	53'	33'	21'	13'	8'	5'	3'	

- *Distances are based on a 5% Voltage drop max.**
- This product must be installed in accordance with the applicable installation code by a person familiar with the construction and operation of the product and the hazards involved.

WIRING DIAGRAM



12V - 28V DC IN

To connect the driver to a DC power supply unit (PSU), connect the PSU's positive voltage supply wire to the VDC+ connector and the PSU's negative voltage supply wire to the VDC- connector.

EXT in

You have the possibility to connect an external control device (0-10V control device, 10kΩ potentiometer or show selection switch) to the driver's Ext in+ and Ext in- connector. Configure the driver for use with an external control device over the 3-button user interface.

DMX in/LedSync out

Use these connectors when the driver is used in a DMX network. For DMX in, connect the network cable's DMX+, DMX- and DMX shielding wire (the orange/white, orange and brown wire in a CAT5 cable) to the DMX in+, DMX in- and DMX in shield connector respectively. For LedSync out, connect the network cable's DMX+, DMX- and DMX shielding wire to the LedSync out+, LedSync out- and LedSync shield connector respectively. DMX Shield must be grounded to Earth Ground at a single point external to power supply

LED groups

Indicates the location of the connectors for your LED groups. R(ed) represents channel 1, G(reen) represents channel 2, B(lue) represents channel 3 and W(hite) represents channel 4. The default group color allocation can be changed over the 3-button user interface.



QTM-eLED+DMX

SPECIFICATIONS

SPECIFICATIONS

*- 200us event

	24VDC		
	Min	Nom	Max
Input			
▪ Input Voltage (Vrms)	120	230	277
▪ Input current, max (Arms)	0.98	0.51	0.43
▪ Inrush Current, max* (Apk)		20	
▪ Input Frequency (Hz)	50/60		
▪ Input Power (W)	117		
Output			
	RGB	RGBW	
▪ Output Voltage, nom (V)	24	24	
▪ Output Current (A)	2.0	1.5	
▪ Output Power (W)	100	100	
Environmental	Min	Nom	Max
▪ THD (%)	—	—	20
▪ PF (%)	0.90	—	—
▪ Case Temp (°C)	—	—	90

Protections

- Short Circuit Protection (SCP)
- Over Voltage Protection (OVP)
- Over Current Protection (OCP)
- Class 2 Output

Compliance

- EMI Spec : FCC 47 Part 15
: EN61000-3-2
- CSA Certified : UL-2108
: UL-8750
: CSA C22.2 No 250.0-08
: CSA C22.2 No 250.13-14



PERFORMANCE

Power Supply

- : Rated for surface mount or recessed use
- : Fully rated to operate low voltage load at listed wattage (No Derating Required)
- : Voltage regulation to 2% or less of rated output voltage
- : The ability to be dimmed using DMX Dimming
- : Universal input range of 120-277 Vrms

Low Voltage Lighting Systems

- : CSA Class 3425-15 and Class 3425-95
- : Short circuit protection (SCP)
- : Over voltage protection (OVP)
- : Over current protection (OCP)
- : Live tested by manufacturer to ensure proper operation
- : Manufacturer offers minimum of 5 year warranty
- Terminal blocks is made of tin plated copper with a voltage rating of 300V and a current rating of 40A

