

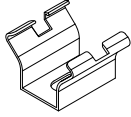
MOUNTING INSTALLATION

EXTRUSIONS - SURFACE - ROND

Model: iQA

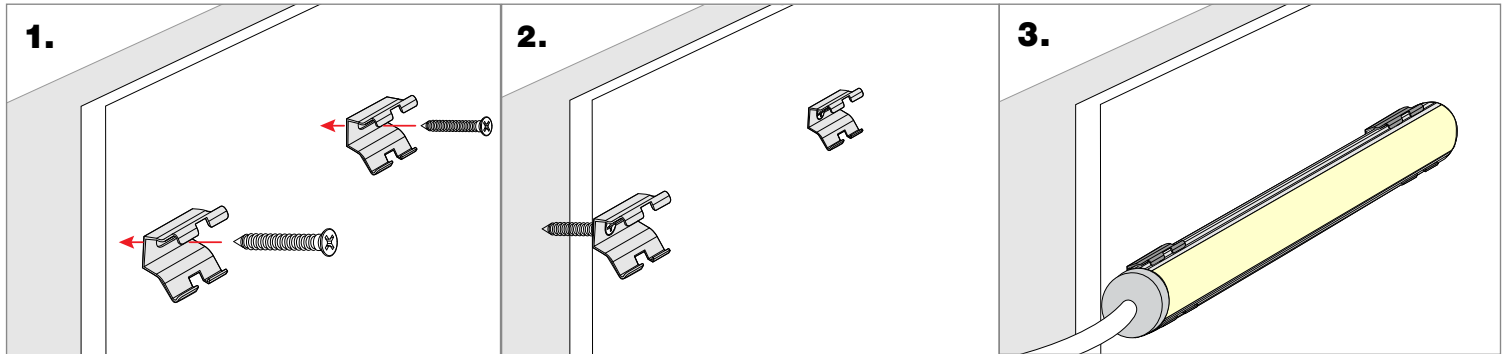


MOUNTING NOTE: 2 clips provided for 4' or less;
4 clips provided for greater than 4'

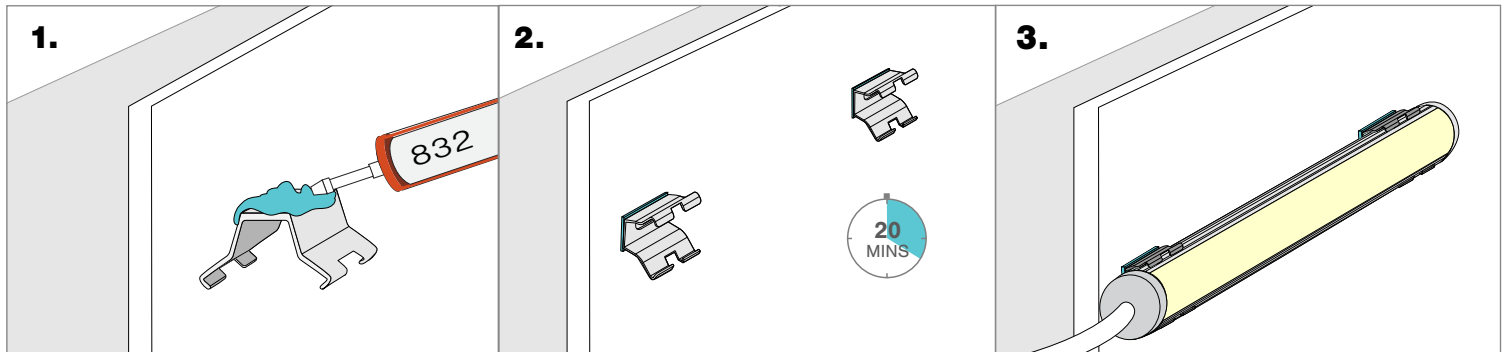


ROND-SST-ST
ROND-SST-BK

Screw Mounting



832 Silicone Mounting



NOTE: 832 Silicone use in a well-ventilated area, 832 Silicone sold with Caulking gun. Do not use in any submersible applications.

NOTES: • Field modifications must comply with Q-Tran's installation methods otherwise warranty is null and void