



QTM-DC

Q-Tran's QTM-DC is a surface mount, interior rated, rectified DC power supply. It is CSA listed for use with interior and submersible luminaires and LED luminaires, as well as submersible pumps. It is ideal for applications that require a larger power supply where perfect dimming is not a requirement. When dimming use a forward phase dimmer with a neutral wire. The QTM-DC in 24V can be used with Q-Tran iQ LED Flexible tape light and super flex.

HOUSING

- 18 gauge Welded Steel Enclosure: 14.5"L x 8.00"W x 4.00"D
- Door: 15.5"L x 9.00"W
- Knockouts: 25
- Built-in support bracket incorporated to secure housing for surface mounting

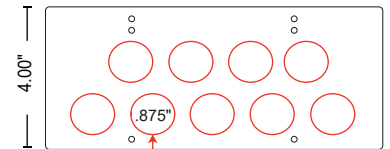
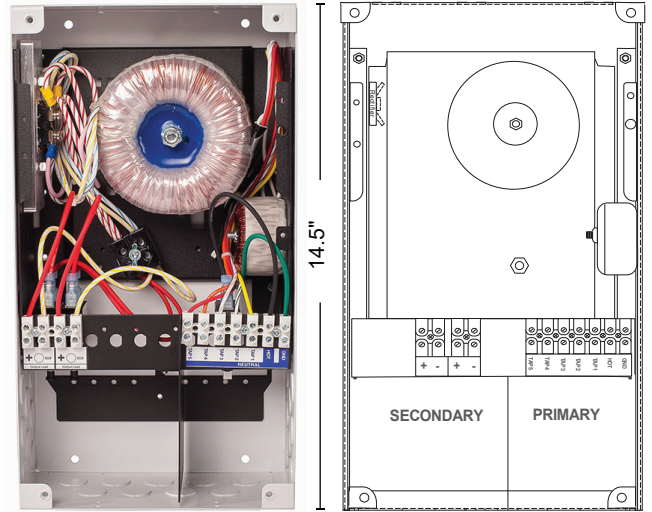
MULTI-VOLT & TAPS

- Primary Taps:
 - 12VDC : 11, 12, 13, 14, 15V
 - 24VDC : 22, 24, 26, 28, 30V
- Loads may be connected to one (1) of the primary taps up to the full watt rating of the PSC.
- 20% Derating required.
- The advantage is that loads at varying distances from the PSC can be tapped on different taps to recover voltage drop, allowing you to get the correct voltage at your load and produce between 85%-100% light output. (See Q-TRAN Voltage drop Calculator)
- Secondary Circuit Protection: 1-6 magnetic circuit breakers.

TOROIDAL CHOKE

Q-Tran's Standard Choke, or "Debuzzing Coil" reduces noise when dimming and helps negate in-rush current that is prevalent with LED loads. It allows for quiet operation and eliminates nuisance tripping.

*For information on this Power Supply please consult the Q-Tran Indoor catalog or visit the Q-Tran website.



9 Knockouts of 0.875" Hole for 1/2" fitting

NOTE: 16 additional side knockouts

ORDERING GUIDE						
1	2	3	4	5	6	7
Model	Prim. V	Sec. V	No.	Brk Amp.	Choke	Opt
QTM-DC	-	/	x	+	+	
1 Model (Size)	Max Load (Watts)	Fixture Load Volts (12VDC / 24VDC)	Max Prim. Amps@120V	Max Prim. Amps@277V		
60DC	60W	12V DC	0.9 A	0.4 A		
120DC	120W	12V DC	1.4 A	0.6 A		
180DC	180W	12V DC	2.0 A	0.9 A		
240DC	240W	12V DC	2.7 A	1.2 A		
300DC	300W	12V DC	3.4 A	1.5 A		
360DC	360W	12V DC	4.1 A	1.8 A		
60DC	60W	24V DC	0.9 A	0.4 A		
100DC	100W	24V DC	1.1 A	0.5 A		
200DC	200W	24V DC	2.2 A	1.0 A		
300DC	300W	24V DC	3.4 A	1.5 A		
500DC	500W	24V DC	5.6 A	2.4 A		
600DC	600W	24V DC	6.7 A	2.9 A		
2 Primary Voltage						
120 (60Hz) 220 (50/60Hz)* 230 (50/60Hz)* 240 (50/60Hz)* 277 (60Hz)						
3 Secondary Voltage						
12VDC 24VDC						
4 Number of Breakers						
1 to 6						
5 Secondary Breaker Amperage					7 Options	
AMPS	Max 12V Load	Max 24V Load				
2.5	30W	60W	WH White (Standard) BK Black Powder Coat Finish			
4	48W	96W				
5	60W	120W				
10	120W	240W				
15	180W	360W				
20	240W	480W				
25	300W	600W				
6 Choke						
CK-S 50W-300W CK-L 360W-600W						
Ordering Example						
QTM-60DC - 120/12 - 1x5 + CK - S						

*Not Standard, Call Factory For Pricing

LOW VOLTAGE LIGHTING POWER SUPPLY

- SURFACE MOUNTANY POSITION
- TESTED TO UL 2108 STANDARD
- WALL MOUNT/ROD SUSPENSION
- FOR SUPPLY CONNECTIONS USE WIRE RATED FORAT LEAST 75°C
- SUITABLE FOR DAMP LOCATIONS
- USE DIMMERS RATED FOR MAGNETIC LOW VOLTAGE LOAD WITH NEUTRAL WIRE
- ISOLATION TOROIDAL TRANSFORMER
- 50/60 CYCLE
- MADE IN THE U.S.A.

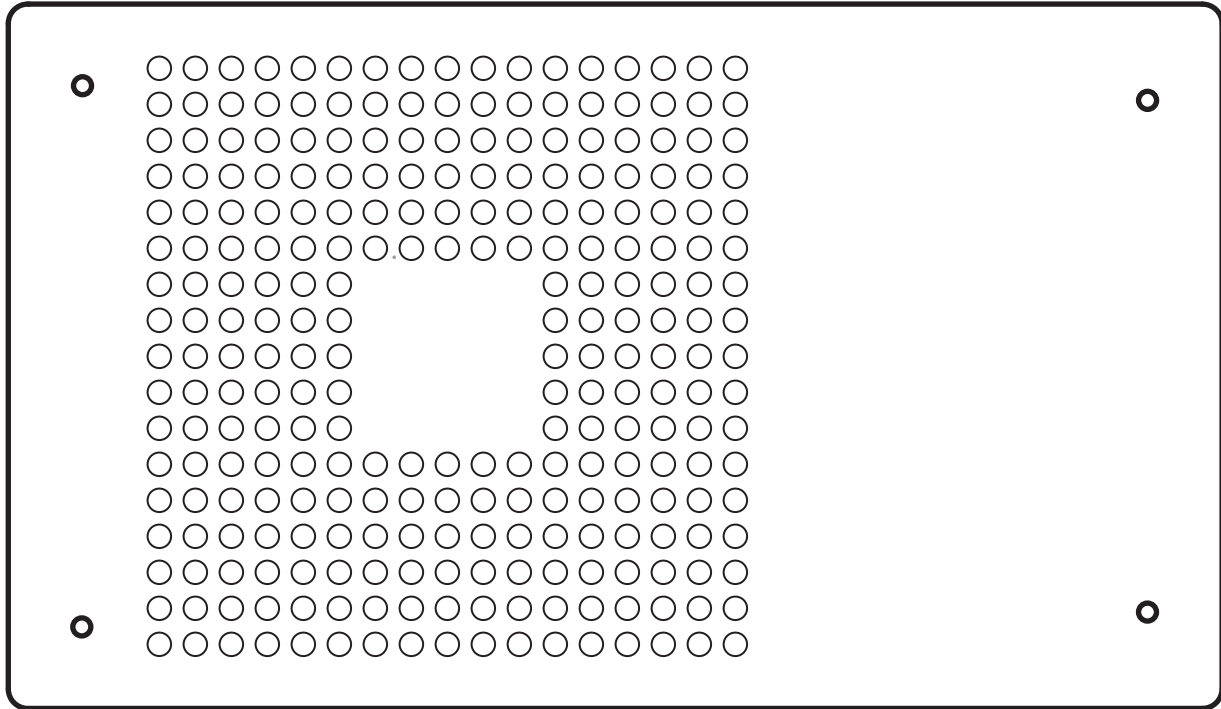
CE C US 239924

PROJECT NAME	DATE	COMPANY	TYPE	NOTE

2020-02-10-V1

QTM-DC Power Supply (DC and DC+CAP) Installation Instructions

Must be installed by licensed electrician.



ENLIGHTENED THINKING®



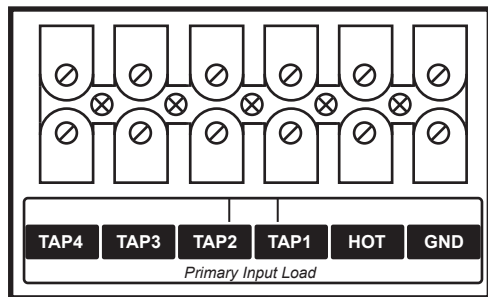
ENLIGHTENED THINKING®

Installation Instructions

QTM-DC Field Wiring Made Simple

PRIMARY

Line Voltage



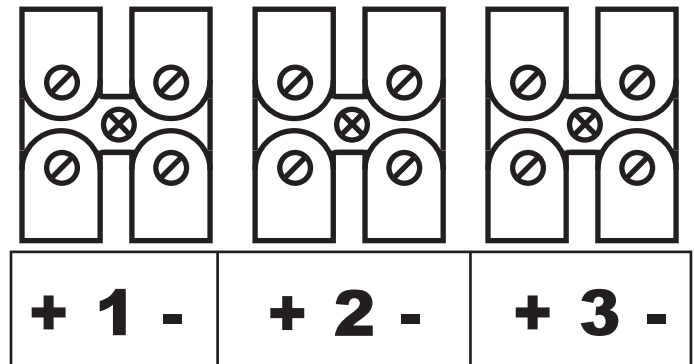
Land Neutral on one tap.
Chose either tap 1,2,3 or 4

Land Hot

Land Ground

SECONDARY

Low Voltage



RED = Positive
YELLOW = Negative

NOTE: Primary Input - connect the 120V hot into block labeled Hot. Connect the neutral wire into Tap 1 - Tap 5 depending on desired output Voltage.(Not to exceed 12V or 24V)

QTM-DC/DC+CAP 120VAC 230V/50Hz 277VAC 12V 24V

Model	Input Voltage (V)	Input Current (A)	Frequency	Nominal Output Voltage (VDC)	Nominal Output Wattage (W)	SECONDARY WIRE CONNECTION
● QTM60 DC	120 / 277	0.67 / 0.29	50/60	12/24	60	+ Red - Yellow
● QTM100 DC	120 / 277	1.1 / 0.49	50/60	12/24	100	
● QTM120 DC	120 / 277	1.3 / 0.58	50/60	12/24	120	
● QTM150 DC	120 / 277	1.7 / 0.7	50/60	12/24	150	
● QTM180 DC	120 / 277	2.0 / 0.87	50/60	12/24	180	
● QTM200 DC	120 / 277	2.3 / 0.98	50/60	12/24	200	
● QTM240 DC	120 / 277	2.7 / 1.2	50/60	12/24	240	
● QTM300 DC	120 / 277	3.4 / 1.5	50/60	12/24	300	
● QTM360 DC	120 / 277	4.1 / 1.8	50/60	12/24	360	
● QTM400 DC	120 / 277	4.5 / 2.0	50/60	12/24	400	
● QTM500 DC	120 / 277	5.6 / 2.4	50/60	24	500	
● QTM600 DC	120 / 277	6.7 / 2.9	50/60	24	600	
○ QTM60 DC+CAP	120 / 277	0.9 / 0.4	50/60	12/24	60	
○ QTM100DC+CAP	120 / 277	1.3 / 0.5	50/60	12/24	100	
○ QTM120DC+CAP	120 / 277	1.4 / 0.6	50/60	12/24	120	
○ QTM200DC+CAP	120 / 277	2.4 / 1.0	50/60	24	200	

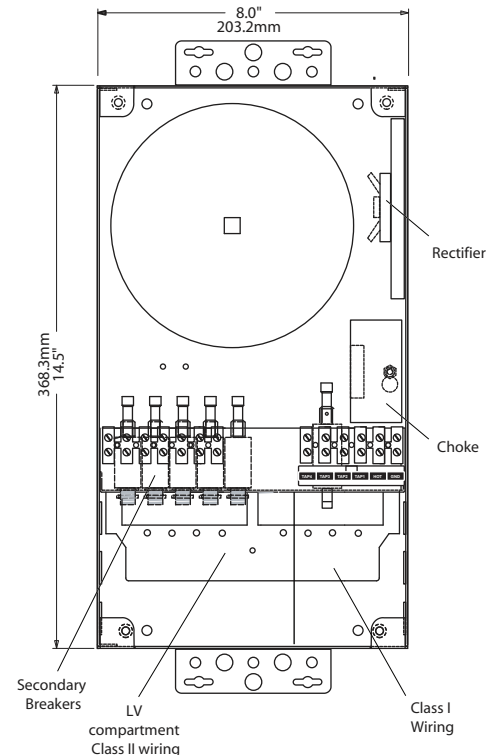
Q-Tran, Inc.
239924
CLASS:
3425-15
3425-95
C US

CE

Q-TRAN, INC.
MILFORD, CT U.S.A.
(203) 367-8777
WWW.Q-TRAN.COM

This product must be installed in accordance with the applicable installation code by a person familiar with the construction and operation of the product and the hazards involved.

- WALL MOUNT ONLY
 - FOR SUPPLY CONNECTIONS USE WIRE RATED FOR AT LEAST 75 C.
 - SUITABLE FOR DAMP LOCATIONS
 - USE DIMMERS RATED FOR MAGNETIC LOW VOLTAGE LOAD
 - ISOLATION TOROIDAL TRANSFORMER
 - 50/60 CYCLE A.C. ONLY
 - MADE IN THE U.S.A.
- LOW VOLTAGE LUMINAIRE POWER SUPPLY CENTER**



Must test all voltage readings with a True RMS Voltage Meter.

Installation Instructions

QTM-DC+CAP Field Wiring Made Simple

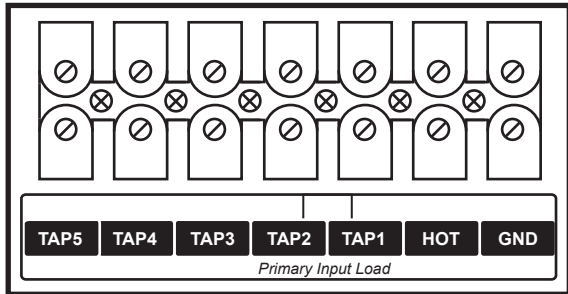


PRIMARY

Line Voltage

SECONDARY

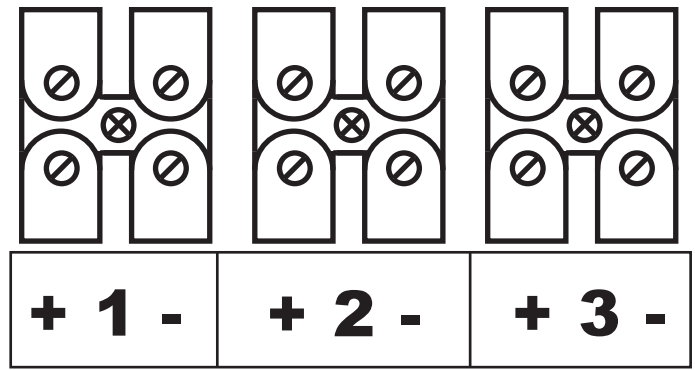
Low Voltage



Land Neutral on one tap.
Chose either tap 1,2,3,4 or 5

Land Hot

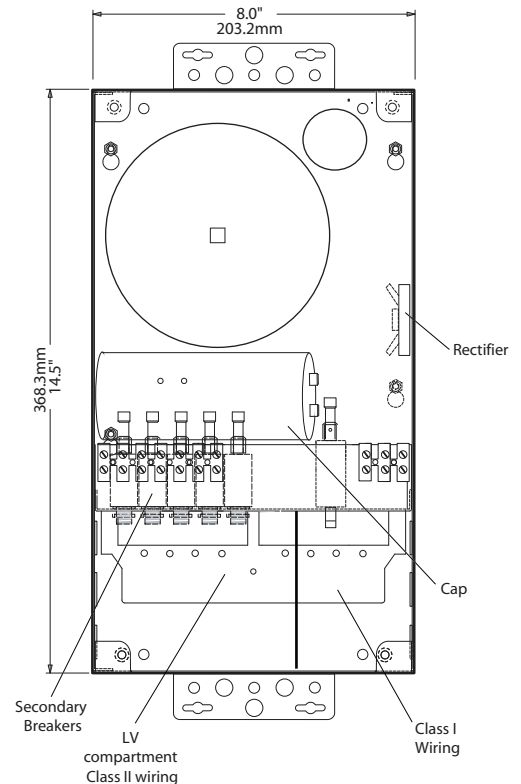
Land Ground



RED = Positive
YELLOW = Negative

NOTE: Primary Input - connect the 120V hot into block labeled Hot. Connect the neutral wire into Tap 1 - Tap 5 depending on desired output Voltage.(Not to exceed 12V or 24V)

QTM-DC/DC+CAP		<input type="radio"/> 120VAC	<input type="radio"/> 230V/50Hz	<input type="radio"/> 277VAC	<input type="radio"/> 12V	<input type="radio"/> 24V
Model	Input Voltage (V)	Input Current (A)	Frequency	Nominal Output Voltage (VDC)	Nominal Output Wattage (W)	SECONDARY WIRE CONNECTION
<input type="radio"/> QTM60 DC	120 / 277	0.67 / 0.29	50/60	12/24	60	+ Red - Yellow Q-Tran, Inc. 239924 CLASS: 3425 - 15 3425 - 95 Q-TRAN, INC. MILFORD, CT U.S.A. (203) 367-8777 WWW.Q-TRAN.COM
<input type="radio"/> QTM100 DC	120 / 277	1.1 / 0.49	50/60	12/24	100	
<input type="radio"/> QTM120 DC	120 / 277	1.3 / 0.58	50/60	12/24	120	
<input type="radio"/> QTM150 DC	120 / 277	1.7 / 0.7	50/60	12/24	150	
<input type="radio"/> QTM180 DC	120 / 277	2.0 / 0.87	50/60	12/24	180	
<input type="radio"/> QTM200 DC	120 / 277	2.3 / 0.98	50/60	12/24	200	
<input type="radio"/> QTM240 DC	120 / 277	2.7 / 1.2	50/60	12/24	240	
<input type="radio"/> QTM300 DC	120 / 277	3.4 / 1.5	50/60	12/24	300	
<input type="radio"/> QTM360 DC	120 / 277	4.1 / 1.8	50/60	12/24	360	
<input type="radio"/> QTM400 DC	120 / 277	4.5 / 2.0	50/60	12/24	400	
<input type="radio"/> QTM500 DC	120 / 277	5.6 / 2.4	50/60	24	500	
<input type="radio"/> QTM600 DC	120 / 277	6.7 / 2.9	50/60	24	600	
<input type="radio"/> QTM60 DC+CAP	120 / 277	0.9 / 0.4	50/60	12/24	60	LOW VOLTAGE LUMINAIRE POWER SUPPLY CENTER
<input type="radio"/> QTM100DC+CAP	120 / 277	1.3 / 0.5	50/60	12/24	100	
<input type="radio"/> QTM120DC+CAP	120 / 277	1.4 / 0.6	50/60	12/24	120	
<input type="radio"/> QTM200DC+CAP	120 / 277	2.4 / 1.0	50/60	24	200	



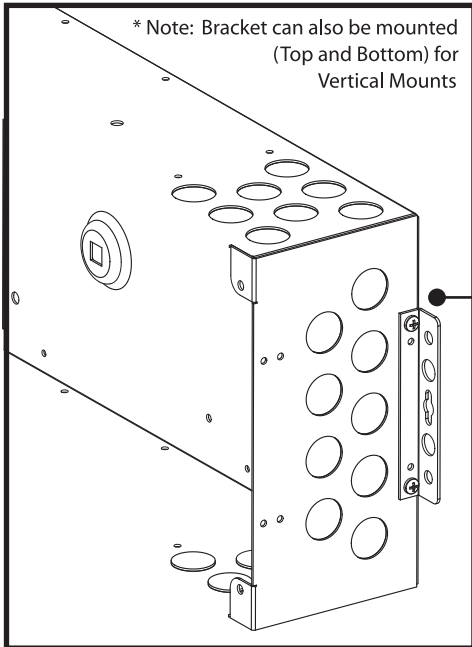
Must test all voltage readings with a True RMS Voltage Meter.



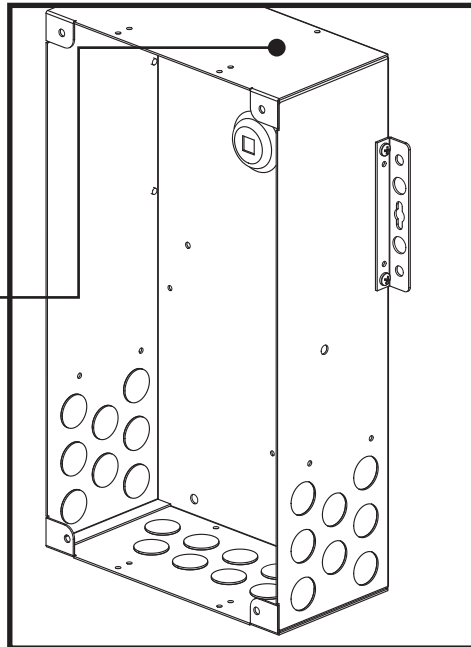
ENLIGHTENED THINKING[®]

Installation Instructions

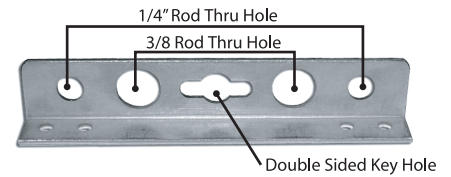
QTM-DC & DC+CAP Housing Mounting



Surface Mount (Horizontal)



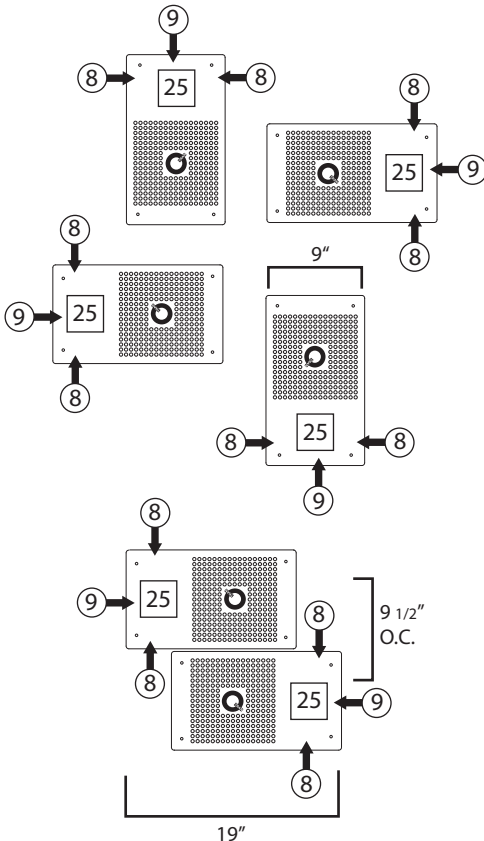
Surface Mount (Vertical)



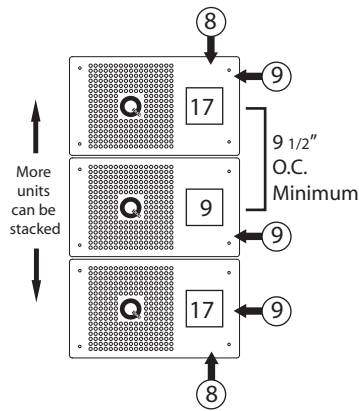
This face of bracket mounts to: Wall

Surface Wall

Note: Surface Mounting can be done on six different planes.



Surface Stacking



Note: knockouts are located where # are shown.

← # = Number of available Knockouts per side

☐ # = Total number of available Knockouts per unit

Surface Spacing

