

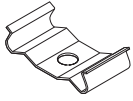
MOUNTING INSTALLATION

EXTRUSIONS - SURFACE - VEVE

Model: iQA

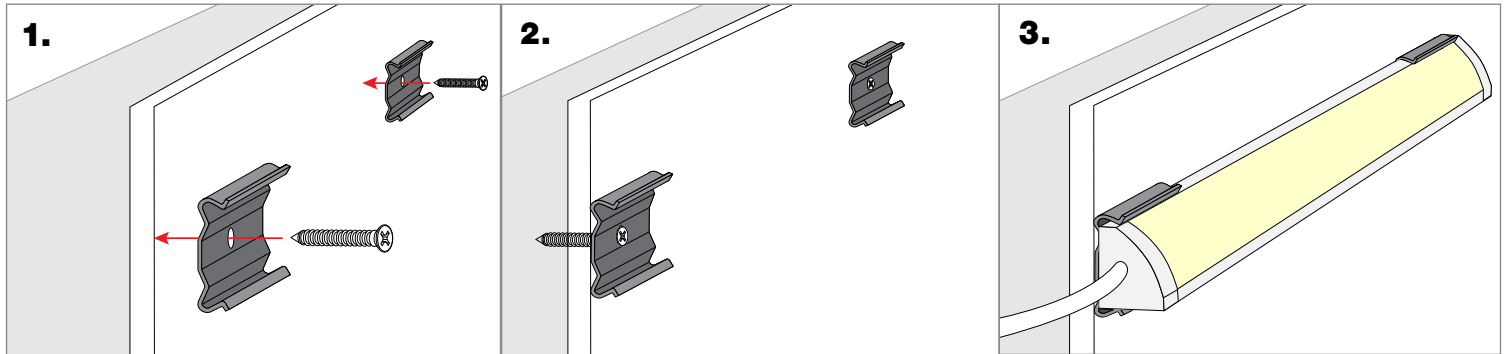


MOUNTING NOTE: 2 clips provided for 4' or less;
4 clips provided for greater than 4'

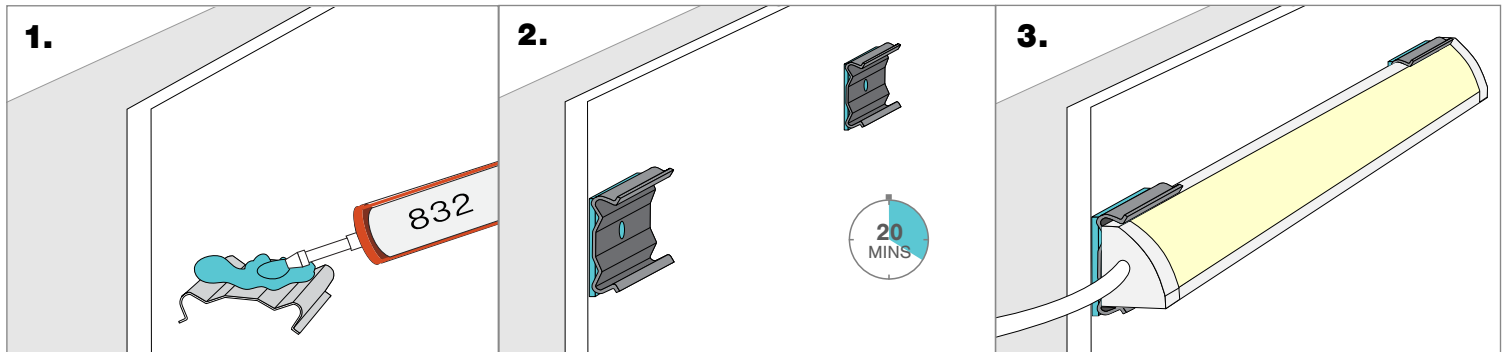


VEVE-SST

Screw Mounting

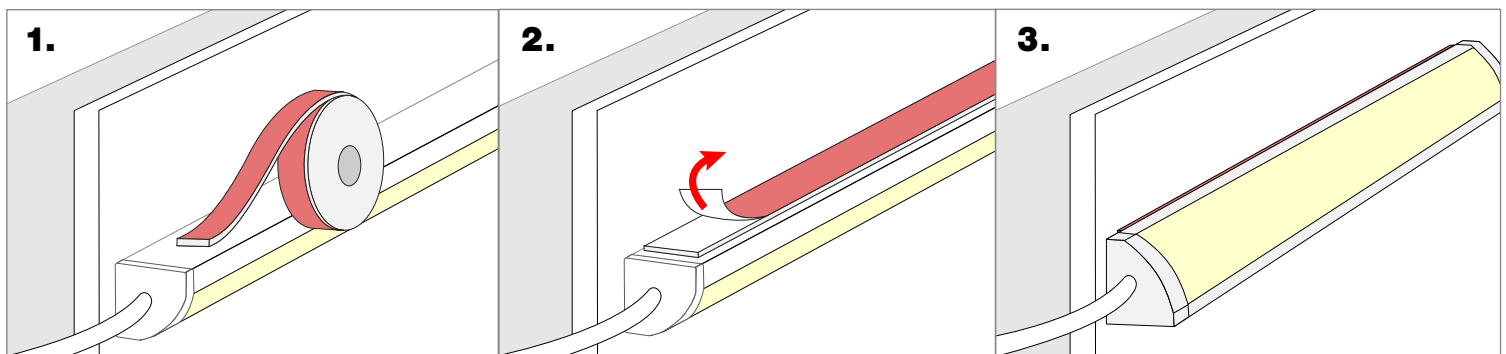


832 Silicone Mounting



NOTE: 832 Silicone use in a well-ventilated area, 832 Silicone sold with Caulking gun. Do not use in any submersible applications.

VHB Mounting



NOTES: • Field modifications must comply with Q-Tran's installation methods otherwise warranty is null and void