



Q-TRIX-R50

Q-Tran's Q-Trix-R50 is a 50 cubic inch direct burial splice box or housing for the Q-Hex-Mini. It is triangular in shape and comes with 3 stakes to allow for a secure ground installation. The tripod design, with built in power supply, provides the perfect solution for smaller scale landscape lighting applications, or larger jobs where better control of zones is required. The Q-Trix-R50 comes with a 1/2" knockout for mounting a fixture and multiple knockouts for through wiring to other fixtures when using our custom designed Q-Clik's, inserts and Q-Wire. (see Q-Hex-Mini cut sheet for specifications)



HOUSING DIMENSIONS

- Enclosure: 8.00"L x 5.62"H
- Door: 8.35"L x 8.35"W
- Knockouts: 7

FEATURES

- 50 cubic inches
- Triangular Shape
- 3 stakes for secure mounting
- Rated for in-ground, wet, or dry locations
- Direct Burial
- Optional wall mount plate
- 3/4"(3x), 1/2"(3x) and 1"(1x) knockouts
- Ability to mount a landscape fixture
- Ability to house Q-Hex-Mini power supply
- Standards

Landscape Lighting

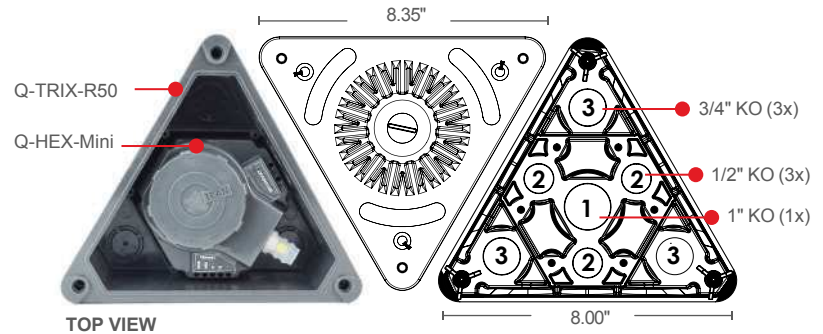
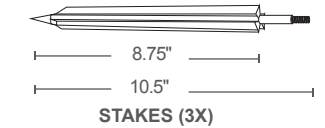
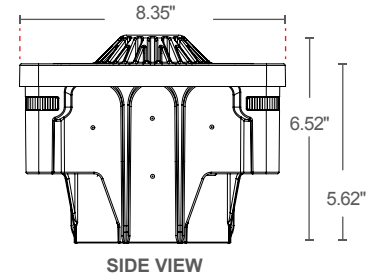
: CSA C22.2 No. 250.7-07 Extra-low-voltage Landscape Lighting Systems

: UL 1838 Low Voltage Landscape Lighting Systems

Low Voltage Lighting

: CSA C22.2 No. 250.0-08 Luminaires

: UL 2108 Low Voltage Lighting Systems



NOTE: Do not use KO (Knock Outs) marked with 1 & 2 when installing the Q-HEX-Mini with the Q-TRIX R50.

• CSA Class*

Input	Output (max)	CSA Class
120VAC	12VAC 24VDC	3426-04 Luminaires - Landscape Lighting Systems - Component 3426-94 Luminaires - Landscape Lighting System - Component - US
120V-277VAC	12VAC 24VDC	3426-94 Luminaires - Landscape Lighting Systems - Component - US
120V-277VAC	24VAC 24VDC	3425-15 Luminaires - Low Voltage Lighting Systems 3425-95 Luminaires - Low Voltage Lighting Systems - US

*When used with a Q-HEX-Mini power supply

2017.V01

PROJECT NAME	DATE	COMPANY	TYPE	NOTE



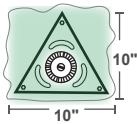
Q-TRIX-R50

DETAILS & PERFORMANCE

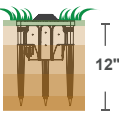
Q-TRIX-R50 Options

EXCAVATE (Dig Hole)

TOP VIEW
(Hole Length & Width)



SIDE VIEW
(Hole Depth)



Dig 10" x 10" x 12" hole that housing will fit inside as shown. Bury Q-Trix-R50 with 2" top exposed.



Mount Lighting Fixture:
Path or Accent
Light Fixture

*see the Q-Trix-R50 install instructions for further detail.

HOUSING INSTALLATION

- Used with Q-Hex-Mini Power Supply Unit

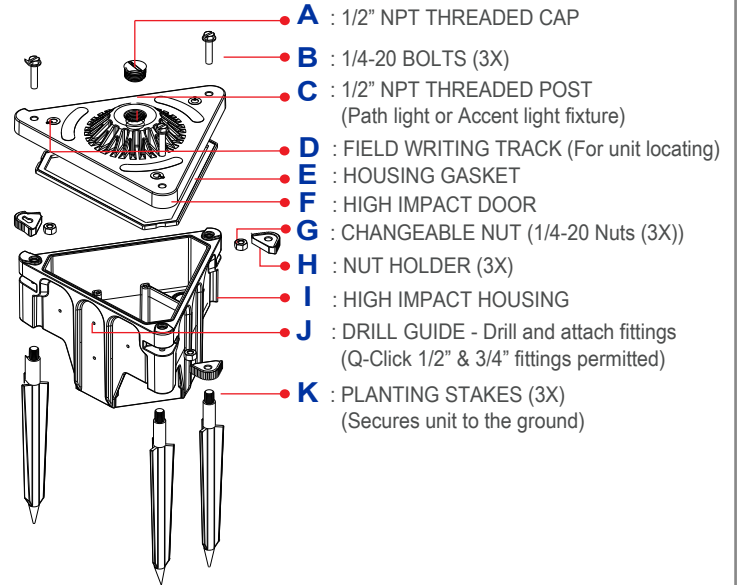
WALL MOUNT PLATE

- WALL Installation (Optional wall plate sold separately)
- **see the Q-Trix-R50-WP install instructions for further detail.

SPLICE J-BOX

- Use water tight connectors Ex: Q-Click MST/NPT connectors. (Connectors sold separately)
- ***see the cut sheet for the Q-Clicks and Q-Wire

Q-TRIX-R50 Details



PERFORMANCE

- Power Supply is rated for outdoor and in-ground use
- Power Supply is fully rated to operate low voltage load at listed wattage (No Derating Required)
- Power Supply has the ability to be dimmed using MLV Dimmer
- Power Supply Manufacturer offer minimum of 10 year warranty
- Power Supply is rated for:
 - CSA Class 3426-04 and Class 3426-94 Luminaires - Landscape Lighting Systems - Canada and US
 - CSA Class 3425-15 and Class 3425-95 Luminaires - Low Voltage Lighting Systems - Canada and US
- Power Supply is fully potted in epoxy to limit water ingress
- Power Supply has thermal protection
- Power Supply is live tested by manufacturer to ensure proper operation
- Power Supply has dimensions of 8.00"L x 5.62"H