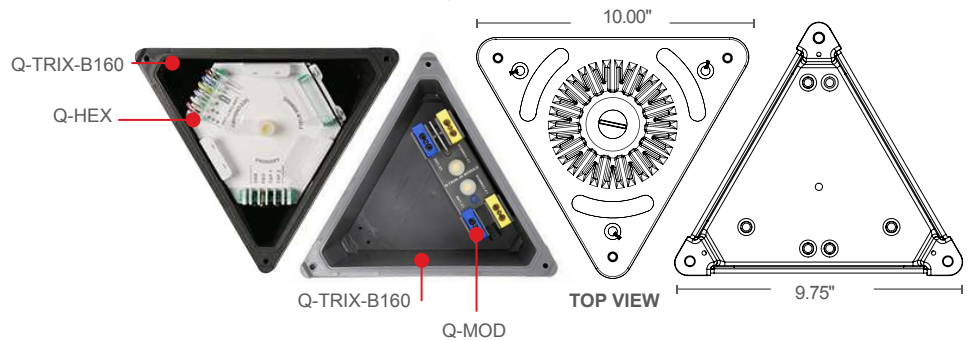
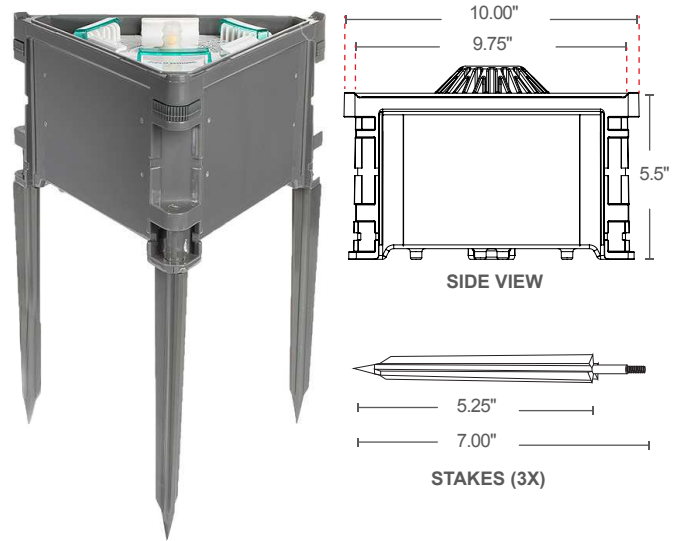




Q-TRIX-B160

Q-Tran's Q-Trix-B160 is a 160 cubic inch direct burial splice box or housing for the Q-Hex power supply. It is triangular in shape and comes with 3 stakes to allow for a secure ground installation. The tripod design, with built in power supply, provides the perfect solution for smaller scale landscape lighting applications, or larger jobs where better control of zones is required. The Q-Trix-B160 comes with a 1/2" knockout for mounting a fixture and points for through wiring to other fixtures when using our custom designed Q-Clik's, inserts and Q-Wire. (see Q-Hex cut sheet for specifications)



HOUSING DIMENSIONS

- Enclosure: 9.75"L x 5.5"H
- Door: 10.00"L x 10.00"W

FEATURES

- 160 cubic inches
- Triangular Shape with ground stakes
- Splice box or direct burial housing
- Rated for in-ground, wet, or dry locations
- Optional wall mount plate
- Standards

Landscape Lighting

: CSA C22.2 No. 250.7-07 Extra-low-voltage Landscape Lighting Systems

: UL 1838 Low Voltage Landscape Lighting Systems

Low Voltage Lighting

: CSA C22.2 No. 250.0-08 Luminaires

: UL 2108 Low Voltage Lighting Systems

- 1/2" knockout for mounting fixture
- Points for through wiring to other fixtures
- Modular, allowing for scaling up or down the power supply

- CSA Class*

Input	Output (max)	CSA Class
120VAC	12VAC	3426-04 Luminaires - Landscape Lighting Systems - Component 3426-94 Luminaires - Landscape Lighting Systems - Component - US
120V-277VAC	12VAC	3426-94 Luminaires - Landscape Lighting Systems - Component - US
120V-277VAC	24VAC	3426-06 Luminaires - Low Voltage Lighting Lighting Systems - Components 3426-96 Luminaires - Low Voltage Lighting Lighting Systems - Components - US

*When used with a Q-HEX power supply

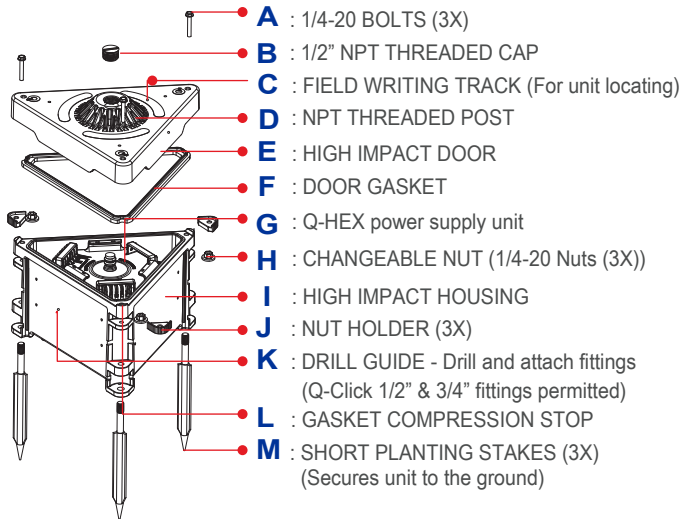
PROJECT NAME	DATE	COMPANY	TYPE	NOTE



Q-TRIX-B160

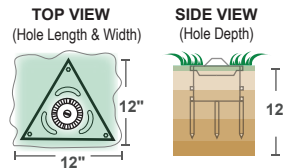
DETAILS & PERFORMANCE

Q-TRIX-B160 Details



Q-TRIX-B160 Options

EXCAVATE (Dig Hole)



Dig 12" x 12" x 12" hole that housing will fit inside as shown. Bury Q-Trix-B160 with 2" top exposed.

Mount Lighting Fixture:
Path or Accent Light

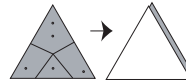


*see the Q-Trix installation instructions for further detail.



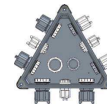
HOUSING INSTALLATION

- Used with Q-MOD Distribution Module
- Used with Q-HEX Power Supply Unit



WALL MOUNT PLATE

- WALL Installation (Optional wall plate sold separately)
- ***see the Q-Trix installation instructions for further detail.



SPLICE J-BOX

- Use water tight connectors Ex: Q-Click MST/NPT connectors. (Connectors sold separately)
- ***see the cut sheet for the Q-Cliks and Q-Wire

PERFORMANCE

- Power Supply is rated for outdoor and in-ground use
- Power Supply is fully rated to operate low voltage load at listed wattage (No Derating Required)
- Power Supply has the ability to be dimmed using MLV Dimmer
- Power Supply Manufacturer offer minimum of 10 year warranty
- Power Supply is rated for:
 - CSA Class 3426-04 and Class 3426-94 Luminaires - Landscape Lighting Systems - Canada and US
 - CSA Class 3426-06 and Class 3426-96 Luminaires - Low Voltage Lighting Systems - Canada and US
- Power Supply is fully potted in epoxy to limit water ingress
- Power Supply has thermal protection
- Power Supply is live tested by manufacturer to ensure proper operation
- Power Supply has dimensions of 9.75"L x 5.5"H