



iQ LED TAPE LIGHT **5050 CHIP SERIES**  
**iQ20 4.4 W/ft**  
**STATIC COLOR: DRY RATED**



iQ20 is available in static color. The term "Static" refers to the ability to produce only one of the three primary colors (Red, Blue, Green) instead of all three; or a spectrum of color hues associated with RGB (Example iQ20 Red, iQ20 Blue, iQ20 Green ). This easy to install, flexible product is suitable for indoor, dry locations and can be cut to specification at Q-Tran. Changes can also be made in the field. iQ20 LED Flexible Tape Light is available in 4.4 watts per foot, is 24VDC.

<b>iQ20</b>	-		-	<b>50</b>	-	<b>4.4</b>	-	
iQ Series		Color		Chip		Watts Per FT		Length

**FEATURES**

- LED life time - 40,000 hours
- Operating temperature: -4°F ~ +113°F
- Suitable for Dry locations
- Non-Ferrous Material
- 3.94" cut points
- Field cuttable
- 3 year warranty

**iQ20-RD-50-4.4**

Max Run / Reel Length: 21ft\* | Color: RED ( RD )  
 Voltage: 24VDC | Watts Per Ft: 4.4  
 Wave Length: 620-630 nm | Lumens Per Ft: 20

**iQ20-GR-50-4.4**

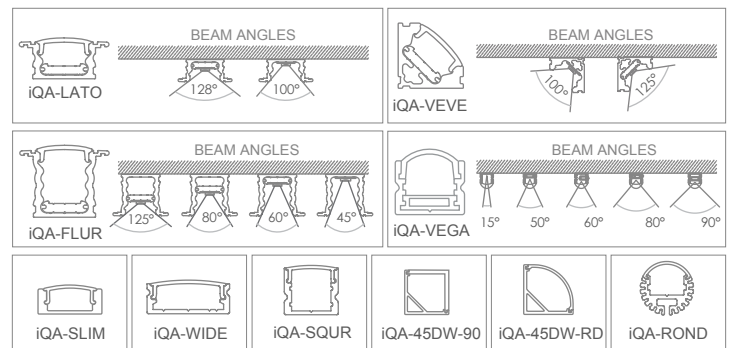
Max Run / Reel Length: 21ft\* | Color: GREEN ( GR )  
 Voltage: 24VDC | Watts Per Ft: 4.4  
 Wave Length: 515-525 nm | Lumens Per Ft: 67

**iQ20-BL-50-4.4**

Max Run / Reel Length: 21ft\* | Color: BLUE ( BL )  
 Voltage: 24VDC | Watts Per Ft: 4.4  
 Wave Length: 465-475 nm | Lumens Per Ft: 15

\*Maximum length for one run of iQ20 LED 4.4. Individual Power supply cut sheets will provide max distance/loads per power supply.

**COMPATIBLE EXTRUSIONS**

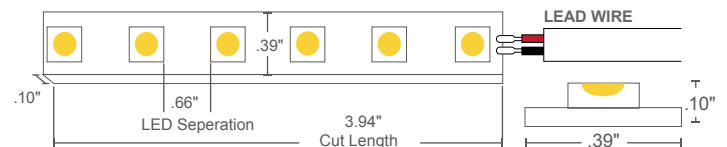


**COMPATIBLE POWER SUPPLIES**

**Indoor**

- QJB-DC, QJBL-DC, QJBL-DC+CAP
- Q6S-DC, Q6M-DC+CAP
- QTM-DC, QTM-DC+CAP
- QTM-eLED, QTM-eLED(L), QTM-eLED(E)
- iQ-PH

**DIMENSIONS**



**NOTE**

- Q-Tran offers multiple LED Chip offerings based upon size and pitch, each utilizing its own binning. Utilization of multiple outputs within the same chip family will ensure flawless color matching and similar overall diffusion.
- Field modifications of factory installed LEDs are not covered under Q-Tran warranty.

Cut marks of LED tape allows for changes in the field.  
**4.4 watts per foot = cut every 3.94"**  
 Lead wire comes standard on all LEDs in 18" (18/2 AWG)

2017.V01

PROJECT NAME	DATE	COMPANY	TYPE	NOTE



iQ LED TAPE LIGHT

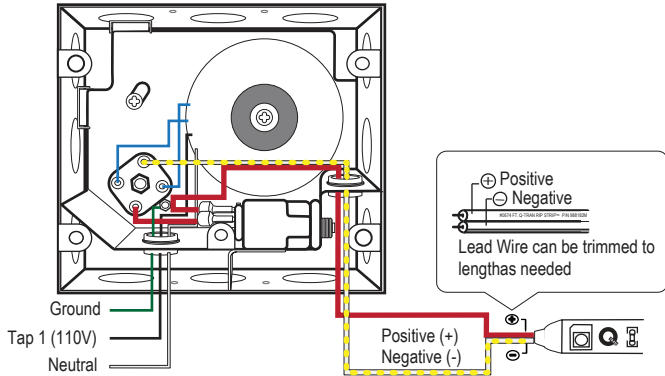
# COMPATIBLE POWER SUPPLIES

- All DC and mLED Power supplies should be de-rated by 20%\*
- DC and mLED power supplies may produce flicker when dimming. For optimal dimming performance, use the iQ-PH or DC+CAP products.

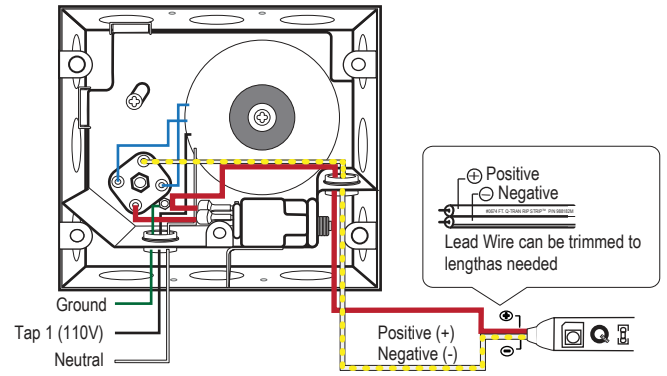
## JUNCTION BOX

### QJB

QJB-20DC-120/12\*

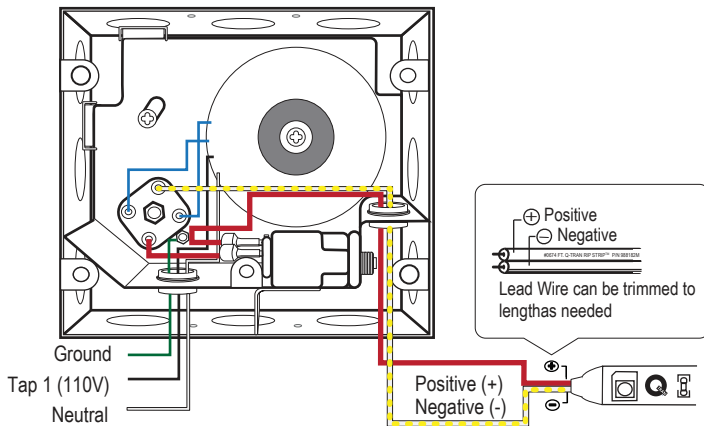


QJB-20DC-120/24\*

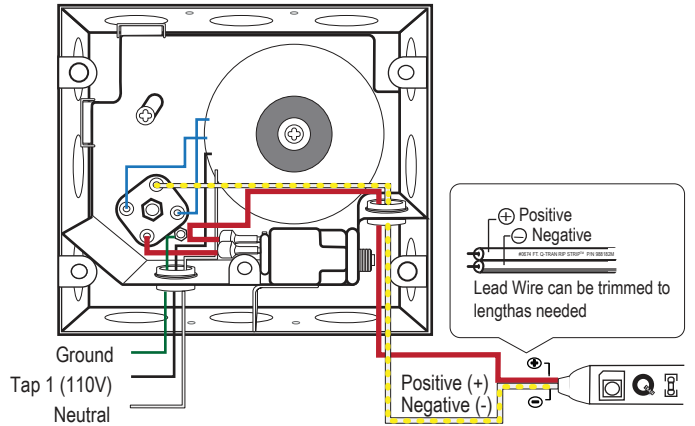


### QJBL

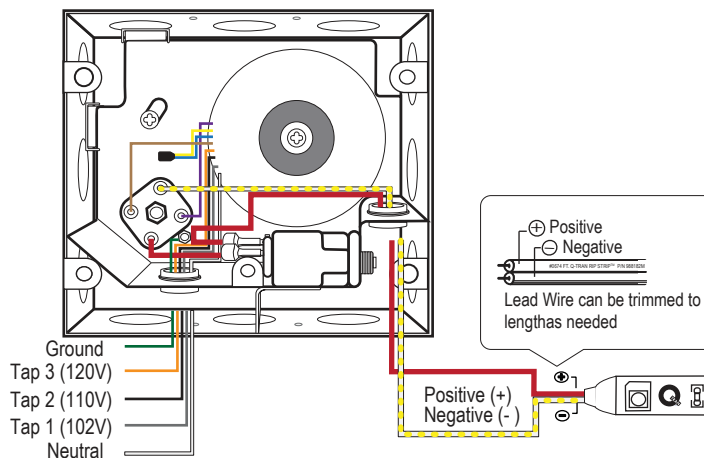
QJBL-20DC-120/12\*



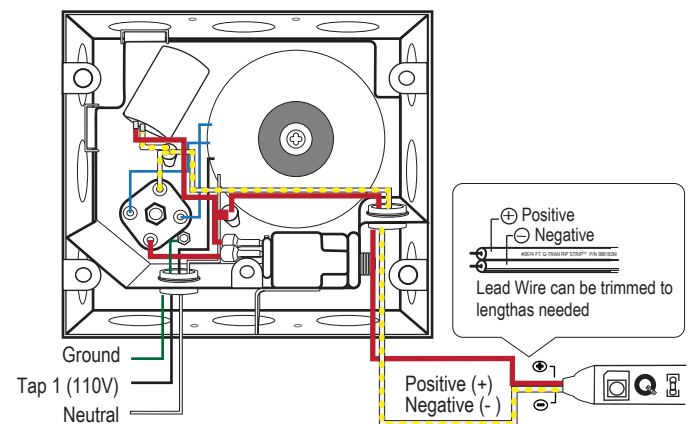
QJBL-20DC-120/24\*



QJBL-40DC-120/24\*



QJBL-20DC+CAP-120/24



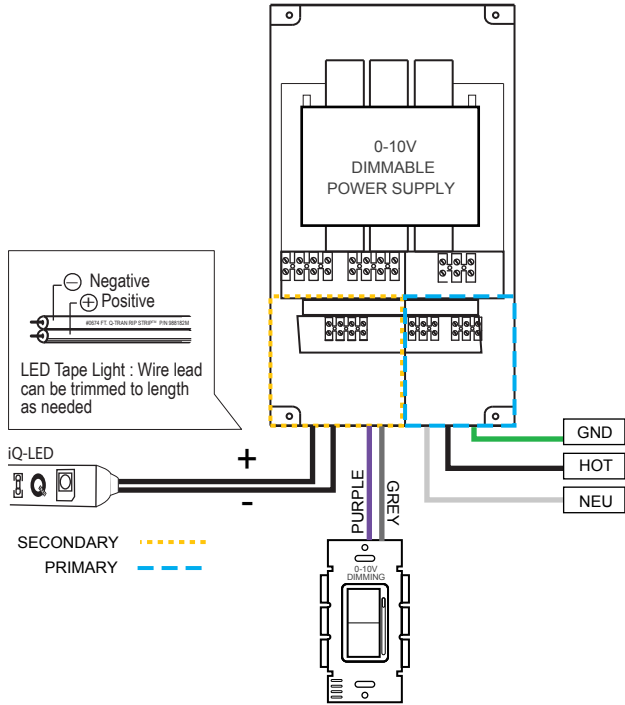


iQ LED TAPE LIGHT

# COMPATIBLE POWER SUPPLIES

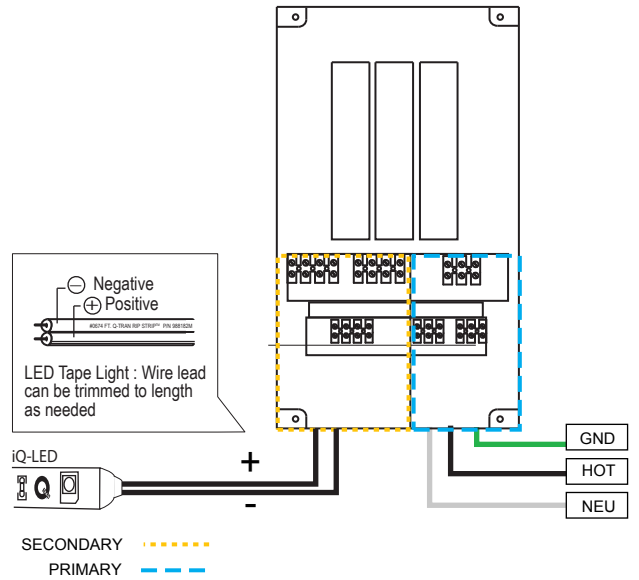
## Electronic 0-10V Dimming

QTM



## Electronic Driver Non-Dimming

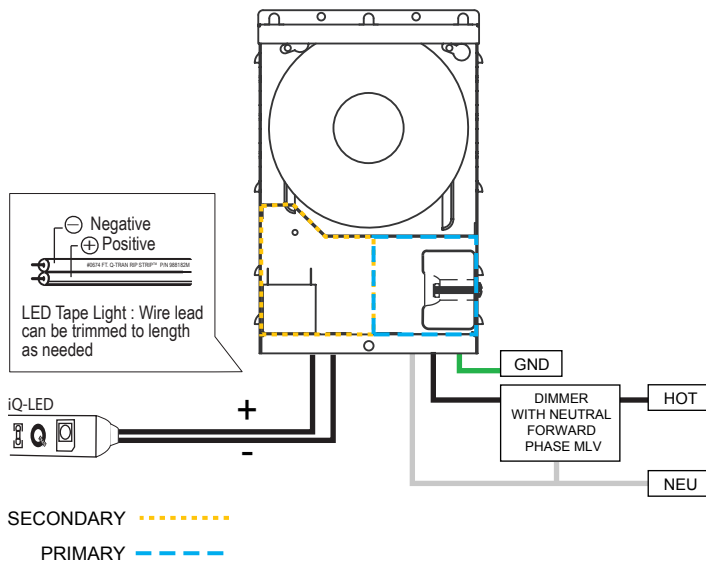
QTM



## Magnetic with Dimmer

DC\* or DC+CAP

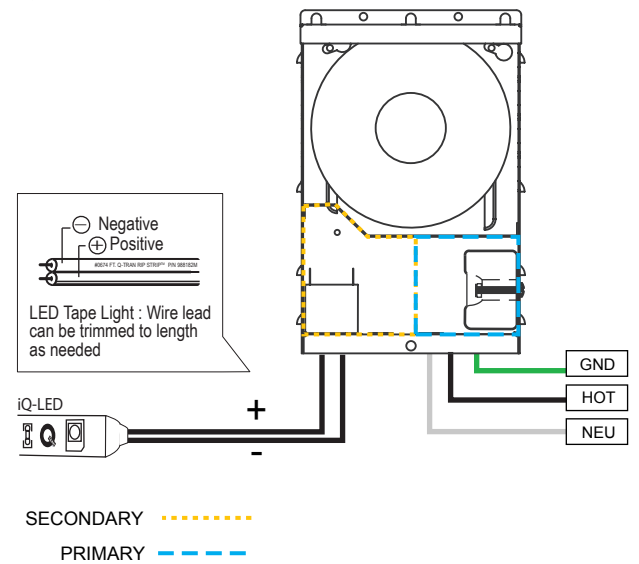
QT & Q6



## Magnetic without Dimmer

DC\* or DC+CAP

QT & Q6



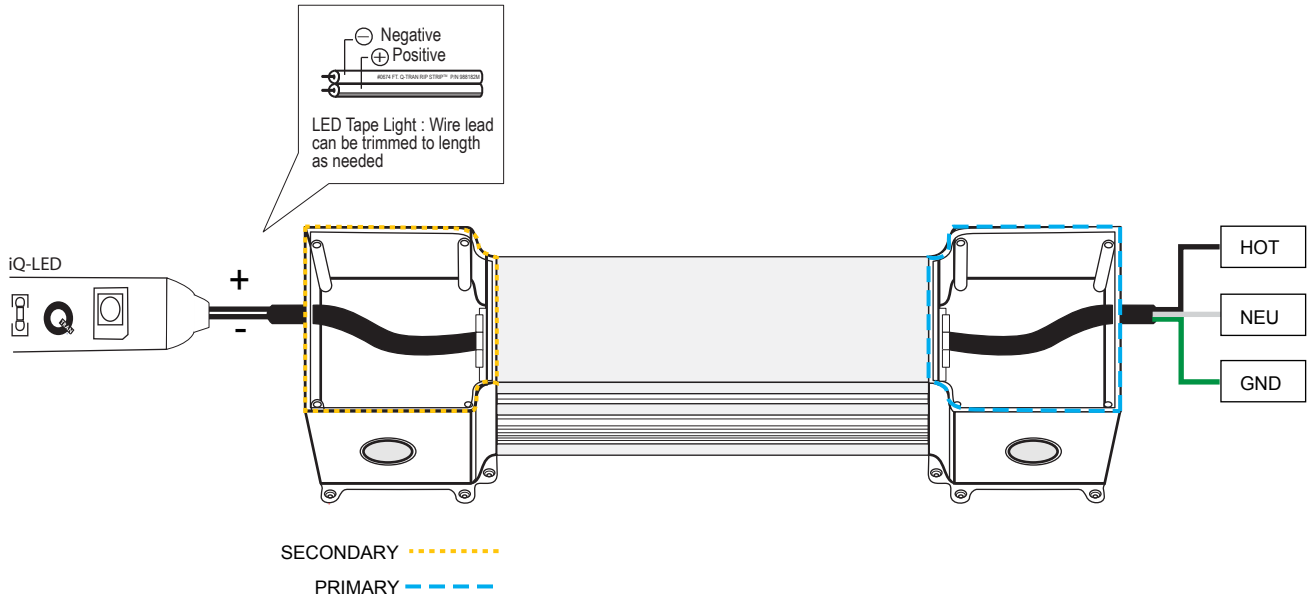


iQ LED TAPE LIGHT

# COMPATIBLE POWER SUPPLIES

## Phase Controlled Dimming

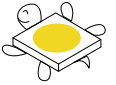
iQ-PH-80





iQ LED TAPE LIGHT 5050 CHIP SERIES

# iQ20 4.4 W/ft AMBER: DRY RATED



TURTLE FRIENDLY



iQ20 LED Flexible Tape Light is rated for Wet Locations and is not submersible. It is available in Amber. iQ20 LED Flexible Tape Light is available in 4.4 watts per foot, 24VDC. This product will fulfill many outdoor applications where Turtle Friendly lighting is required., can be cut to length in the field or cut to length at the Q-Tran factory. The lumen output of this LED makes it perfect for most exterior or interior application where a coated LED is required.

<b>iQ20</b>	-	<b>AB</b>	-	<b>50</b>	-	<b>90</b>	-	<b>4.4</b>	-	
iQ Series		Color Temp		Chip		CRI		Watts Per FT		Length

## FEATURES

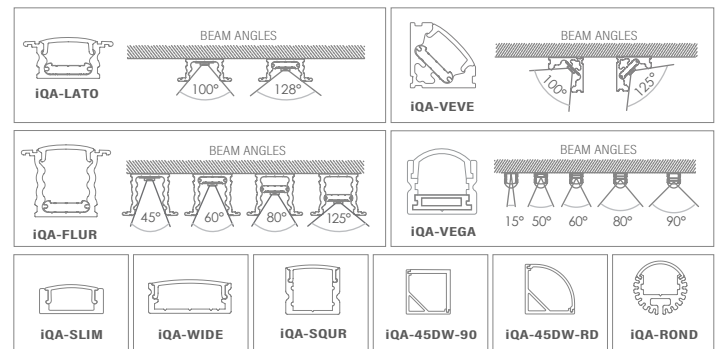
- LED life time - 40,000 hours
- Operating temperature: -4°F ~ +113°F
- Suitable for Dry locations
- Lead wire rated for Plenum and In-Wall use
- Non-Ferrous Material
- 3.94" cut points
- Field cuttable
- 3 year warranty

## iQ20-AB-50-4.4

Max Run / Reel Length: 21ft\* | Color: AB (AMBER) | Voltage: 24VDC  
 CRI: 90+ | LM: 79 | WattsPer Ft: 4.4 | Wave Length: 585 - 595 nm

\*Maximum length for one run of iQ20 LED 4.4 Individual Power supply cut sheets will provide max distance/loads per power supply.

## COMPATIBLE EXTRUSIONS

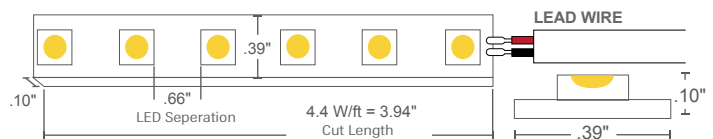


## COMPATIBLE POWER SUPPLIES

### Indoor

- QJB-DC, QJBL-DC, QJBL-DC+CAP
- Q6S-DC, Q6M-DC+CAP
- QTM-DC, QTM-DC+CAP
- QTM-eLED, QTM-eLED(L), QTM-eLED(E)
- iQ-PH

## DIMENSIONS



- NOTE**
- Q-Tran offers multiple LED Chip offerings based upon size and pitch, each utilizing its own binning. Utilization of multiple outputs within the same chip family will ensure flawless color matching and similar overall diffusion.
  - Field modifications of factory installed LEDs are not covered under Q-Tran warranty.



Cut marks of LED tape allows for changes in the field.  
**4.4 watts per foot = cut every 3.94"**  
 Lead wire comes standard on all LEDs in 18" (18/2 AWG)

2017.V02

PROJECT NAME	DATE	COMPANY	TYPE	NOTE