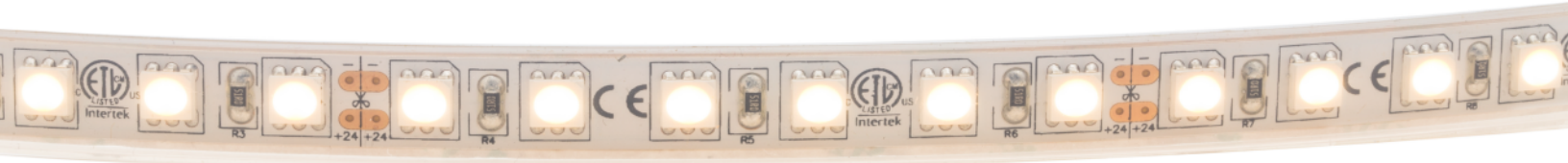




iQ LED TAPE LIGHT **5050 CHIP SERIES**
iQ65 6.0 W/ft: WET RATED



Q-Tran's LED iQ65 is now available with a CRI over 90. This 6.0W/Ft utilizes the 5050 chip, can come in a 16' reel, has cut points of every 2.80", and can be cut in the field or custom cut at the Q-Tran factory. It is currently available in 2500K, 2700K, 3000K, 3500K & 4000K. The coating of this LED makes it perfect for most exterior or interior application where a coated LED is required.

| | | | | | | | | | | |
|-------------|---|------------|---|-----------|---|-----------|---|--------------|---|--------|
| iQ65 | - | | - | 50 | - | 90 | - | 6.0 | - | |
| iQ Series | | Color Temp | | Chip | | CRI | | Watts Per FT | | Length |

FEATURES

- LED life time - 40,000 hours
- Operating temperature: -4°F ~ +113°F
- Suitable for Wet locations
- Non-Ferrous Material
- 2.80" cut points
- Field cuttable
- 3 year Warranty

iQ65-25-50-90-6.0

Max Run / Reel Length: 16ft* | Color Temp: 2500K | LM: 79
 CRI: 90+ | Voltage: 24VDC | Watts Per Ft: 6.0 | Lumens Per Ft: 389

iQ65-27-50-90-6.0

Max Run / Reel Length: 16ft* | Color Temp: 2700K | LM: 79
 CRI: 90+ | Voltage: 24VDC | Watts Per Ft: 6.0 | Lumens Per Ft: 402

iQ65-30-50-90-6.0

Max Run / Reel Length: 16ft* | Color Temp: 3000K | LM: 79
 CRI: 90+ | Voltage: 24VDC | Watts Per Ft: 6.0 | Lumens Per Ft: 425

iQ65-35-50-90-6.0

Max Run / Reel Length: 16ft* | Color Temp: 3500K | LM: 79
 CRI: 90+ | Voltage: 24VDC | Watts Per Ft: 6.0 | Lumens Per Ft: 438

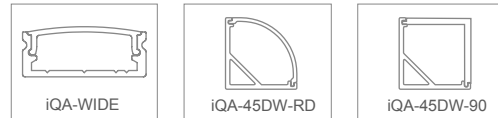
iQ65-40-50-90-6.0

Max Run / Reel Length: 16ft* | Color Temp: 4000K | LM: 79
 CRI: 90+ | Voltage: 24VDC | Watts Per Ft: 6.0 | Lumens Per Ft: 447

*Maximum length for one run of iQ65 LED 6.0. Individual Power supply cut sheets will provide max distance/loads per power supply.

NOTE: Q-Tran offers multiple LED Chip offerings based upon size and pitch, each utilizing its own binning. Utilization of multiple outputs within the same chip family will ensure lawless color matching and similar overall diffusion.

COMPATIBLE EXTRUSIONS



NOTE: Can be used in wet locations.

COMPATIBLE POWER SUPPLIES

Interior Applications

- Q6M-DC+CAP
- QTM-eLED, QTM-DC+CAP
- iQ-PH

Exterior Applications

- QOM-eLED, QOM-DC+CAP
- Q-SET-eLED
- iQ-PH

DIMENSIONS



NOTE:

Cut marks of LED tape allows for changes in the field.

6.0 watts per foot = cut every 2.80"

Lead wire comes standard on all LEDs in 18" (22/2 AWG)



2016.V02

| PROJECT NAME | DATE | COMPANY | TYPE | NOTE |
|--------------|------|---------|------|------|
| | | | | |



iQ LED PHOTOMETRIC iQ65 6.0 W/ft

iQ65-27-50-90-6.0

Light efficiency:

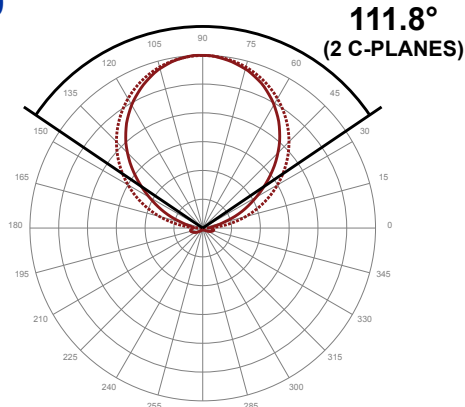
67 Lumen/Watt

Light quality:

CRI : 92.9

Color temperature:

2568 K



Electrical Test Condition for 1 foot

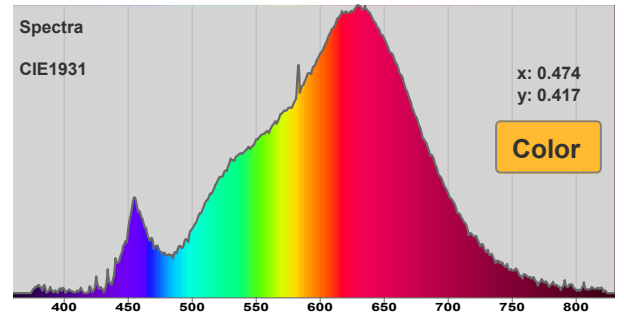
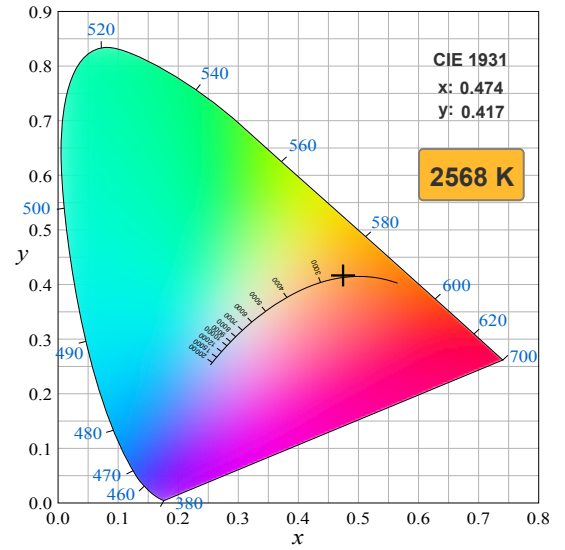
Output: 402 lm/ft **Peak:** 134 cd **Power:** 6 W/ft **24V @ 0.25A**

BEAM DETAILS

| Beam angle 50% | Field angle 10% | Cutoff angle 2.5% | Intensity ratio in 120° cone | Intensity ratio in 90° cone |
|----------------|-----------------|-------------------|------------------------------|-----------------------------|
| 111.8° | 161.9° | 222° | 74.3% | 50.9% |

COLOR PARAMETERS

| CCT | CRI | CRI R9 | TM30 Rf | TM30 Rg | CQS | x | y | u | v | Duv |
|--------|------|--------|---------|---------|------|-----|-----|-----|-----|--------|
| 2568 K | 92.9 | 63.7 | 90.7 | 99 | 86.5 | 0.5 | 0.4 | 0.3 | 0.4 | 0.0015 |



iQ65-30-50-90-6.0

Light efficiency:

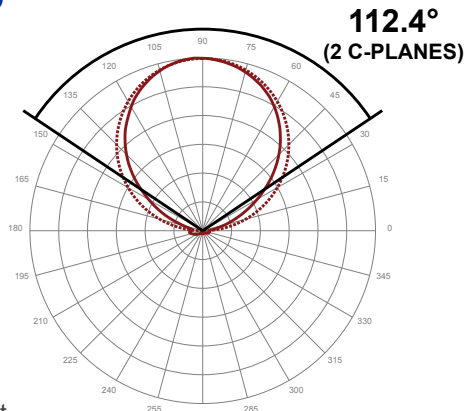
71 Lumen/Watt

Light quality:

CRI : 92.4

Color temperature:

3009 K



Electrical Test Condition for 1 foot

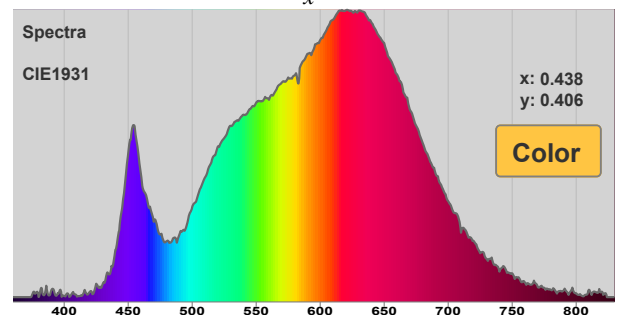
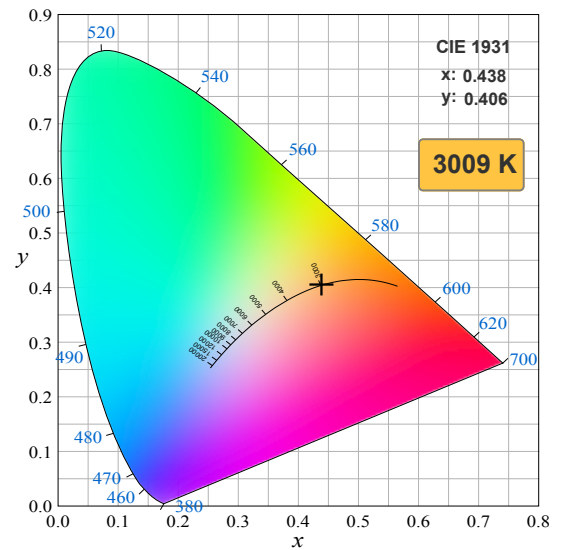
Output: 425 lm/ft **Peak:** 141 cd **Power:** 6 W/ft **24V @ 0.25A**

BEAM DETAILS

| Beam angle 50% | Field angle 10% | Cutoff angle 2.5% | Intensity ratio in 120° cone | Intensity ratio in 90° cone |
|----------------|-----------------|-------------------|------------------------------|-----------------------------|
| 112.4° | 161.6° | 217.6° | 74.6% | 50.9% |

COLOR PARAMETERS

| CCT | CRI | CRI R9 | TM30 Rf | TM30 Rg | CQS | x | y | u | v | Duv |
|--------|------|--------|---------|---------|------|-----|-----|-----|-----|--------|
| 3009 K | 92.4 | 66.1 | 89.5 | 99.9 | 90.0 | 0.4 | 0.4 | 0.3 | 0.3 | 0.0007 |





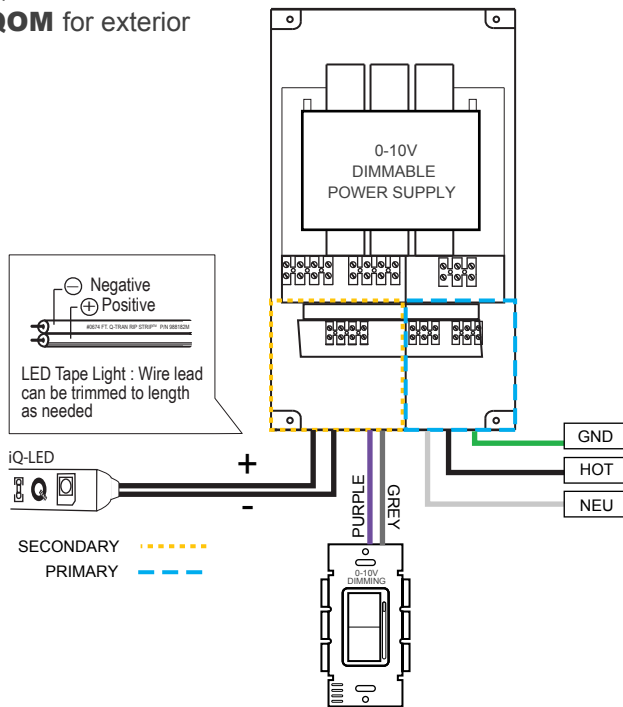
iQ LED TAPE LIGHT

COMPATIBLE POWER SUPPLIES

- All DC and mLED Power supplies should be de-rated by 20%*
- DC and mLED power supplies may produce flicker when dimming. For optimal dimming performance, use the iQ-PH or DC+CAP products.

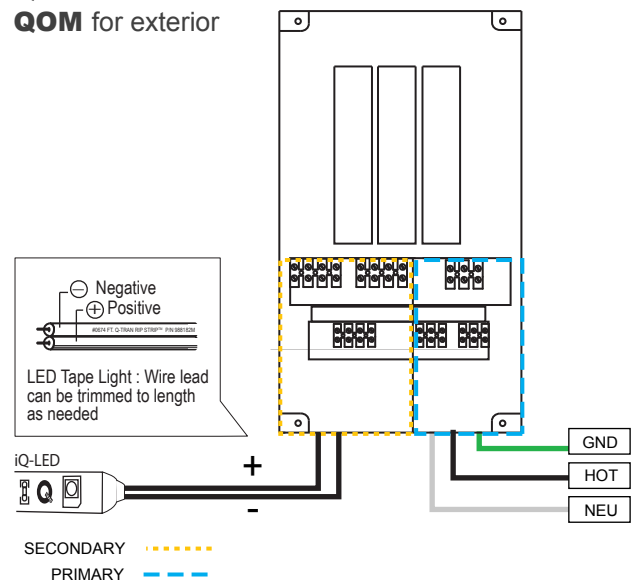
Electronic 0-10V Dimming

QTM for interior
QOM for exterior



Electronic Driver Non-Dimming

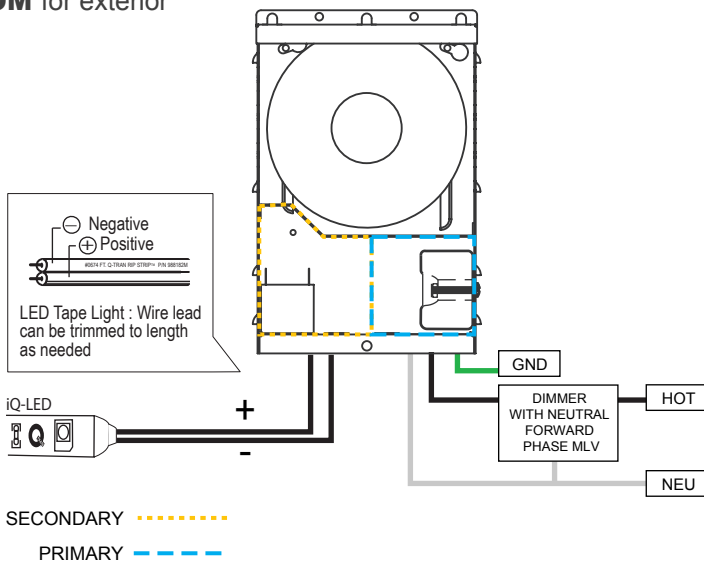
QTM for interior
QOM for exterior



Magnetic with Dimmer

DC* or **DC+CAP**

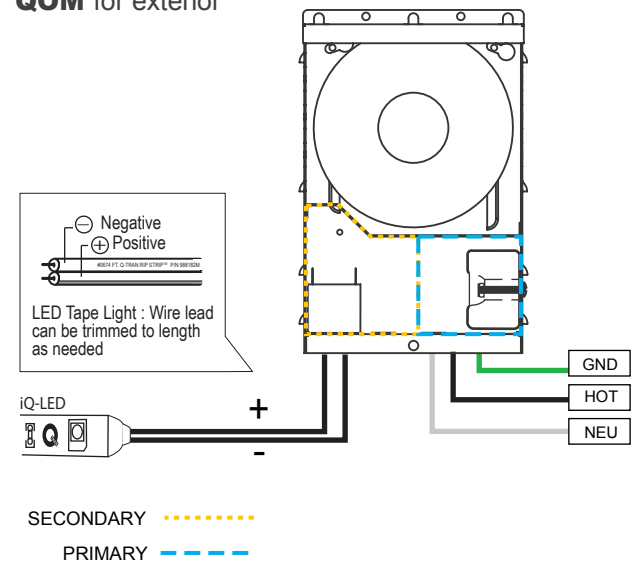
QT & Q6 for interior
QOM for exterior



Magnetic without Dimmer

DC* or **DC+CAP**

QT & Q6 for interior
QOM for exterior





iQ LED TAPE LIGHT

COMPATIBLE POWER SUPPLIES

Phase Controlled Dimming

iQ-PH-80

