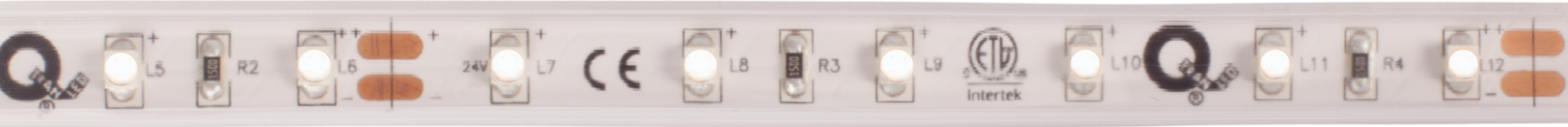




IQ LED TAPE LIGHT **2835 CHIP SERIES**  
**iQ67 4.4 W/ft: WET RATED**



Q-Tran's iQ67 flexible LED tape light is wet listed and available in multiple color temperatures ranging from 2500K – 4000K. The 4.4W/Ft utilizes the 2835 chip, can come in a 21' reel, has cut points of 1.97", can be cut to length in the field or cut to length at the Q-Tran factory. The lumen output of this LED makes it perfect for most exterior or interior application where a coated LED is required.

<b>iQ67</b>	-	<b>28</b>	-	<b>90</b>	-	<b>4.4</b>	-	
iQ Series		Color Temp		Chip		CRI		Watts Per FT Length

**FEATURES**

- LED life time - 40,000 hours
- Operating temperature: -4°F ~ +140°F
- Multiple color temperatures available
- Suitable for dry, damp or wet locations
- Non-Ferrous Material
- 1.97" cut points
- Field cuttable
- 3 year warranty

**iQ67-25-28-90-4.4**

Max Run / Reel Length: 21ft\*|Color Temp: 2500K| Voltage: 24VDC  
 CRI: 90+| LM: 79 | WattsPer Ft: 4.4 | Lumens Per Ft: 298

**iQ67-27-28-90-4.4**

Max Run / Reel Length: 21ft\*|Color Temp: 2700K| Voltage: 24VDC  
 CRI: 90+| LM: 79 | WattsPer Ft: 4.4 | Lumens Per Ft: 305

**iQ67-30-28-90-4.4**

Max Run / Reel Length: 21ft\*|Color Temp: 3000K| Voltage: 24VDC  
 CRI: 90+| LM: 79 | WattsPer Ft: 4.4 | Lumens Per Ft: 325

**iQ67-35-28-90-4.4**

Max Run / Reel Length: 21ft\*|Color Temp: 3500K| Voltage: 24VDC  
 CRI: 90+| LM: 79 | WattsPer Ft: 4.4 | Lumens Per Ft: 326

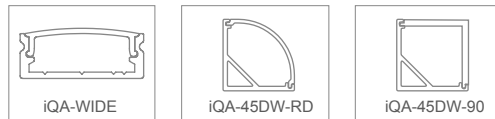
**iQ67-40-28-90-4.4**

Max Run / Reel Length: 21ft\*|Color Temp: 4000K| Voltage: 24VDC  
 CRI: 90+| LM: 79 | WattsPer Ft: 4.4 | Lumens Per Ft: 328

\*Maximum length for one run of iQ67 LED 4.4. Individual Power supply cut sheets will provide max distance/loads per power supply.

**NOTE:** Q-Tran offers multiple LED Chip offerings based upon size and pitch,each utilizing its own binning. Utilization of multiple outputs within the same chip family will ensure flawless color matching and similar overall diffusion.

**COMPATIBLE EXTRUSIONS**



**NOTE:** Can be used in wet locations.

**COMPATIBLE POWER SUPPLIES**

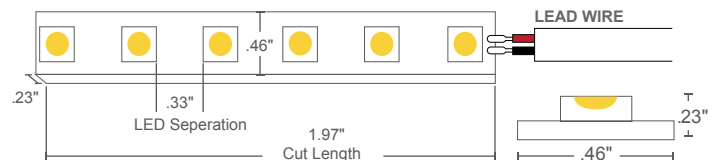
**Interior Applications**

- QJB & QJBL
- Q6M-DC & DC+CAP
- QTM-eLED, QTM-DC & DC+CAP
- iQ-PH

**Exterior Applications**

- QOM-eLED, QOM-DC & DC+CAP
- Q-SET-eLED & Q-SET-mLED
- Q-HEX-Mini-DC
- iQ-PH

**DIMENSIONS**



**NOTE:** Cut marks of LED tape allows for changes in the field.

**4.4 watts per foot= cut every 1.97"**

Lead wire comes standard on all LEDs in 18" (20/2 AWG)



2016.V02

PROJECT NAME	DATE	COMPANY	TYPE	NOTE

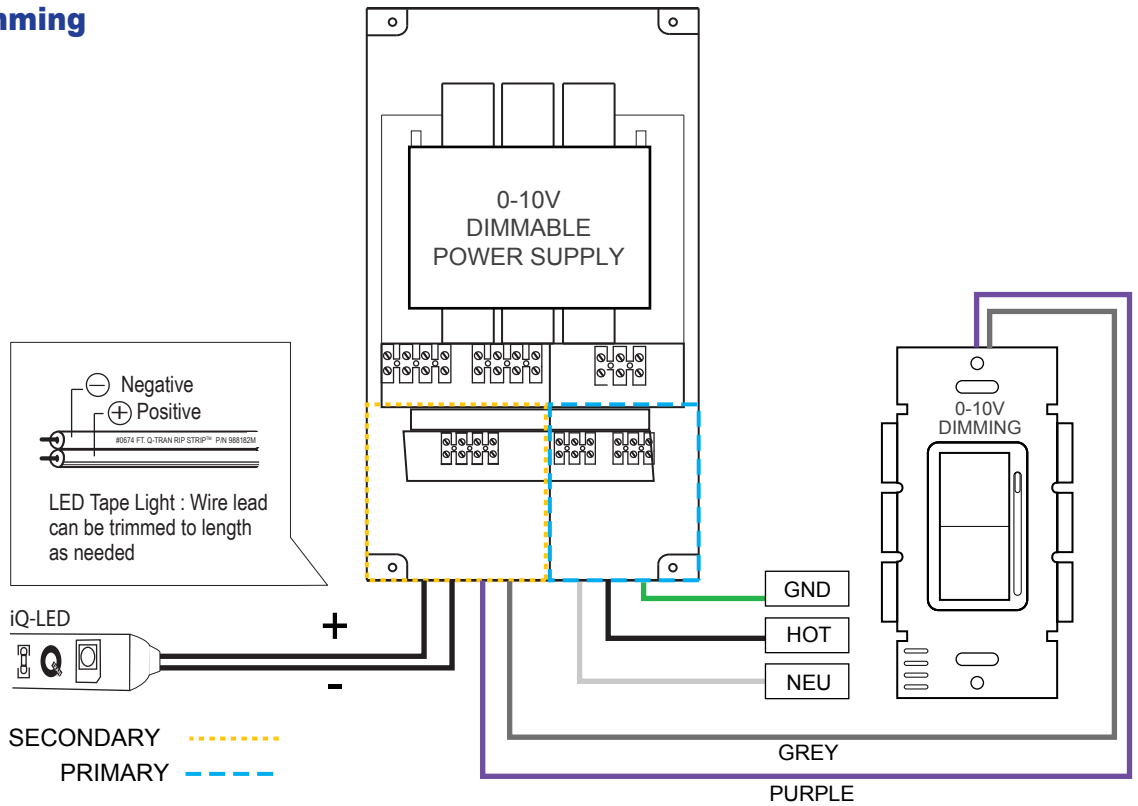


iQ LED TAPE LIGHT

# COMPATIBLE POWER SUPPLIES

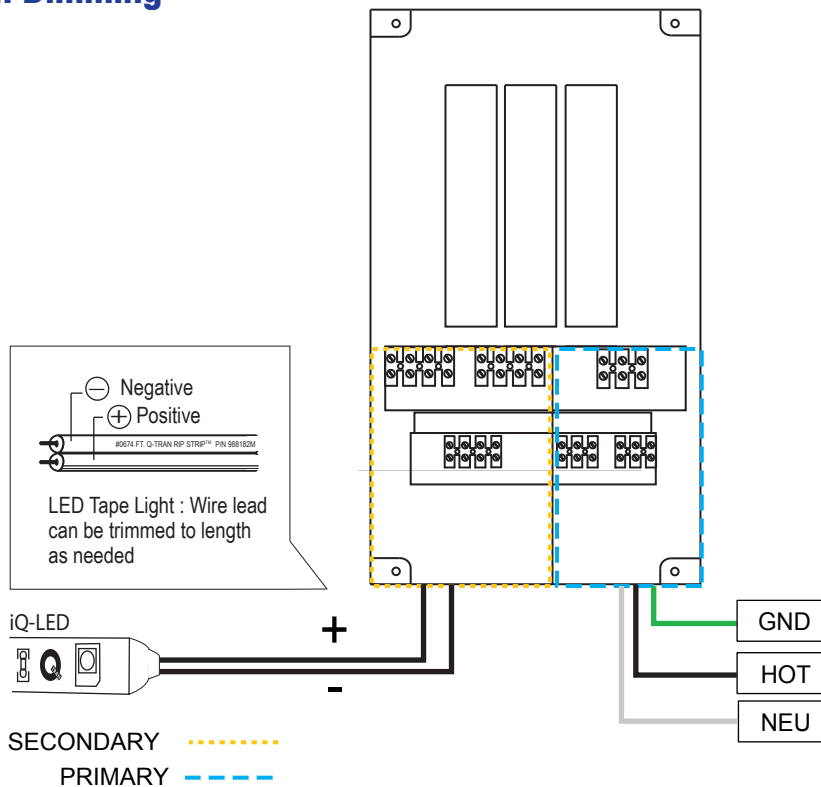
## Electronic 0-10V Dimming

**QTM** for interior  
**QOM** for exterior



## Electronic Driver Non-Dimming

**QTM** for interior  
**QOM** for exterior



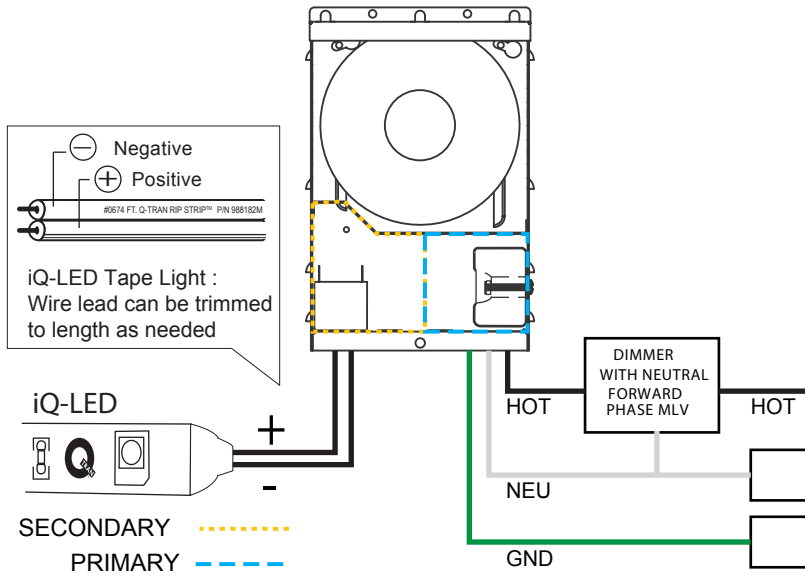


iQ LED TAPE LIGHT

# COMPATIBLE POWER SUPPLIES

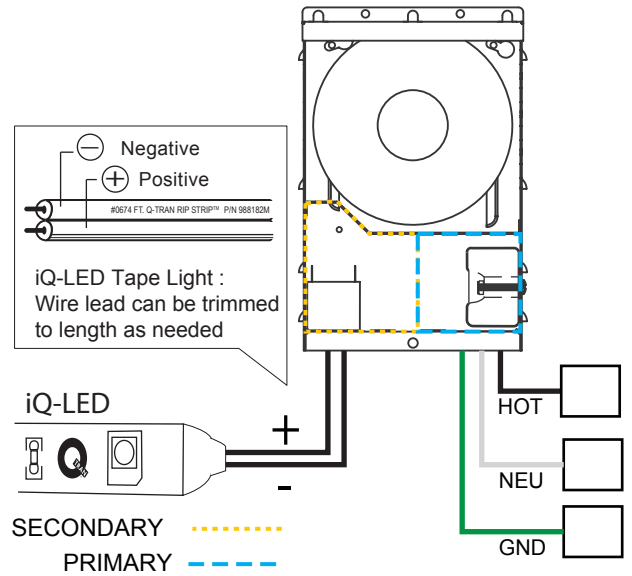
## Magnetic with Dimmer DC or DC+CAP

**QT & Q6** for interior  
**QOM** for exterior



## Magnetic without Dimmer DC or DC+CAP

**QT & Q6** for interior  
**QOM** for exterior



## iQ-PH-80

