



iQLED TAPE LIGHT **5050 CHIP SERIES**
iQ67 MULTI-COLOR: WET RATED



iQ67 is available in RGB. RGB refers to ability of each color produce the primary colors Red, Green and Blue. The flexible strip uses four (4) wires: red, green and blue with positive (Black).

iQ67	-	MC	-	50	-	4.4	-	
iQ Series		Color		Chip		Watts Per FT		Length

FEATURES

- LED life time - 40,000 hours
- Operating temperature: -4°F ~ +113°F
- Suitable for dry, damp or wet locations
- Non-Ferrous Material
- 3.94" cut points
- Field cuttable
- 3 year Warranty

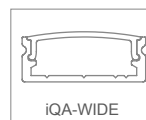
iQ67-MC-50-4.4

Max Run / Reel Length: 21ft* | Color: RGB | LM: 79
 Watts Per Ft: 4.4 | Voltage: 24VDC
 Lumens Per Ft: Red = 34
 Lumens Per Ft: Green = 82
 Lumens Per Ft: Blue = 19
 Lumens Per Ft: All = 128

*Maximum length for one run of iQ67 LED 4.4. Individual Power supply cut sheets will provide max distance/loads per power supply.



COMPATIBLE EXTRUSIONS



NOTE: Can be used in wet locations.

COMPATIBLE POWER SUPPLIES

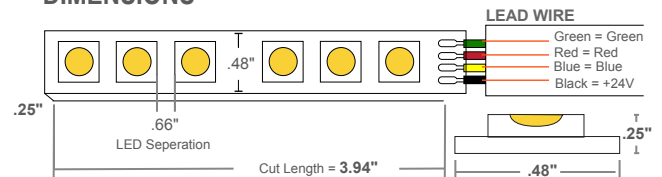
Interior Applications

- QTM-eLED+DMX
- QTM-DRIVE

Exterior Applications

- QOM-eLED+DMX

DIMENSIONS



- NOTE**
- Q-Tran offers multiple LED Chip offerings based upon size and pitch, each utilizing its own binning. Utilization of multiple outputs within the same chip family will ensure flawless color matching and similar overall diffusion.
 - Field modifications of factory installed LEDs are not covered under Q-Tran warranty.



Cut marks of LED tape allows for changes in the field.
4.4 watts per foot = cut every 3.94"
 Lead wire comes standard on all LEDs in 18" (22/4 AWG)
 IP67 Connector Available

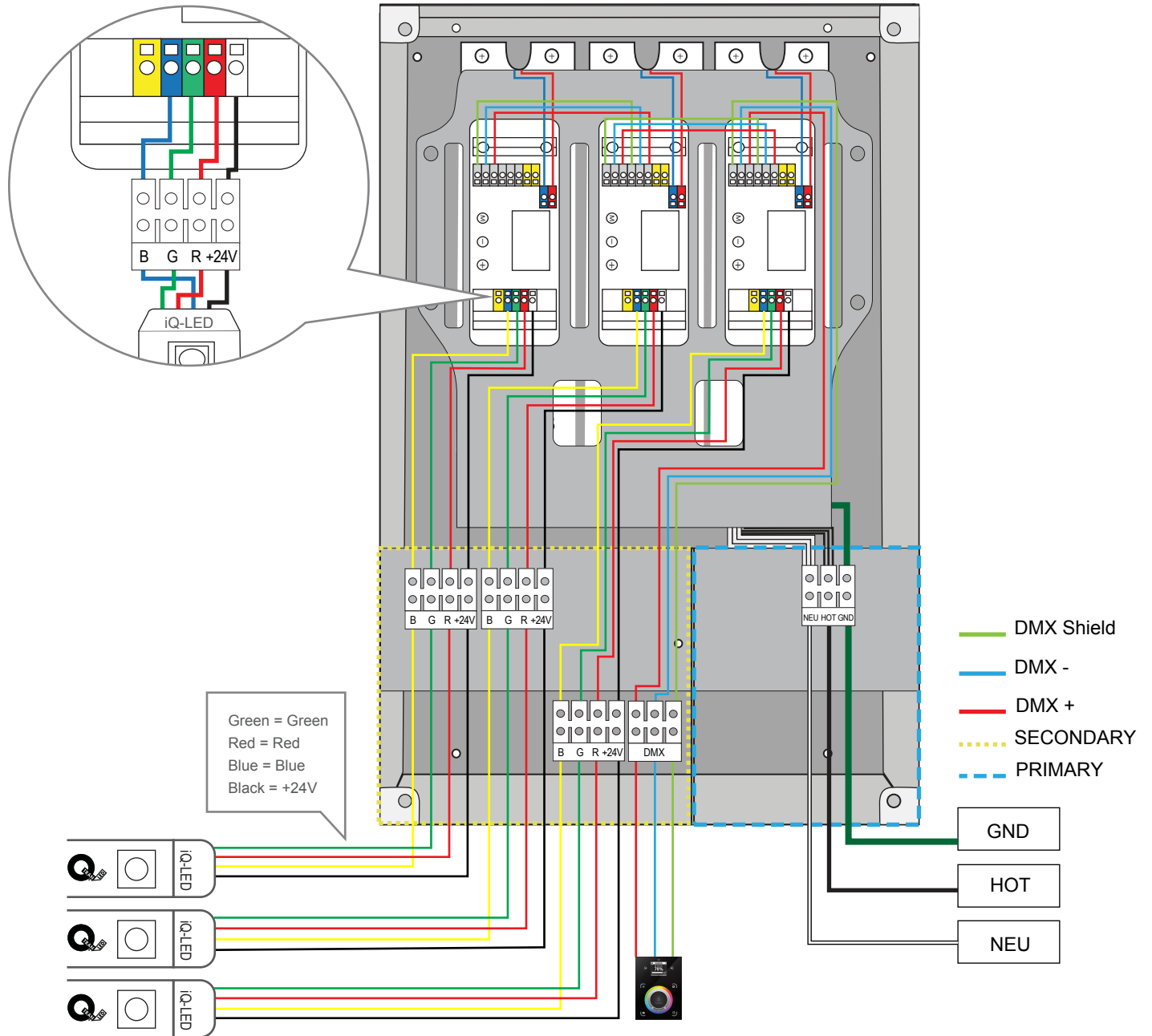
*Specification subject to change 2017.V03

PROJECT NAME	DATE	COMPANY	TYPE	NOTE

iQ LED TAPE LIGHT COMPATIBLE POWER SUPPLIES

QTM-eLED+DMX

: for interior



iQ LED TAPE LIGHT COMPATIBLE POWER SUPPLIES

QTM-DRIVE

: for interior

