



iQLED TAPE LIGHT 5050 CHIP SERIES

iQ68 MULTI-COLOR: SUBMERSIBLE



iQ68 is available in RGB. RGB refers to the ability of each color produce the primary colors Red, Green and Blue. The flexible strip uses four (4) wires: red, green and blue with positive (Black). This LED is suitable for submersible locations (4ft normal water submersed, under pressure), untreated water making it the perfect LED light source for home ponds, fountains, or any application that requires a submersible LED that will not come in contact with people.

iQ68	-	MC	-	50	-	4.4	-	
iQ Series		Color		Chip		Watts Per FT		Length

FEATURES

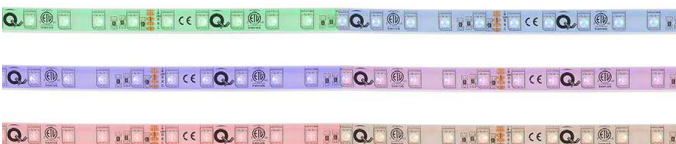
- LED life time - 40,000 hours
- Operating temperature: -4°F ~ +113°F
- Suitable for submersible locations
- Non-Ferrous Material
- 3.94" cut points
- Field cuttable
- 3 year Warranty

NOTE: Must be used with iQ68 RGB lead wire and endcap kit
 : This LED **MUST BE USED IN A SUBMERSED APPLICATION.**
 For non-submersed applications use iQ67 LED's.

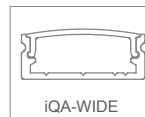
iQ68-MC-50-4.4

Max Run / Reel Length: 21ft* | Color: RGB | LM: 79
 Watts Per Ft: 4.4 | Voltage: 24VDC
 Lumens Per Ft: Red = 31
 Lumens Per Ft: Green = 64
 Lumens Per Ft: Blue = 19
 Lumens Per Ft: All = 107

*Maximum length for one run of iQ67 LED 4.4. Individual Power supply cut sheets will provide max distance/loads per power supply.



COMPATIBLE EXTRUSIONS



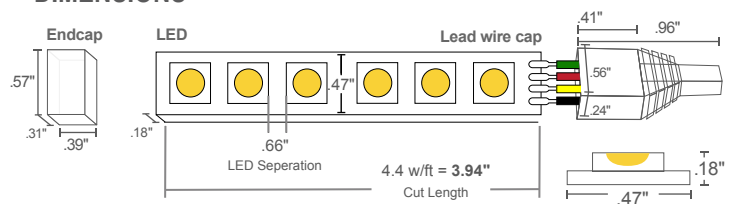
NOTE: Can be used in wet locations.

COMPATIBLE POWER SUPPLIES

Exterior Applications

- QOM-eLED+DMX
- QOM-DRIVE

DIMENSIONS



- NOTE**
- Q-Tran offers multiple LED Chip offerings based upon size and pitch, each utilizing its own binning. Utilization of multiple outputs within the same chip family will ensure flawless color matching and similar overall diffusion.
 - Field modifications of factory installed LEDs are not covered under Q-Tran warranty.



Cut marks of LED tape allows for changes in the field.
4.4 watts per foot = cut every 3.94"
 Lead wire comes standard on all LEDs in 18" (22/4 AWG)
 IP68 Connector Available

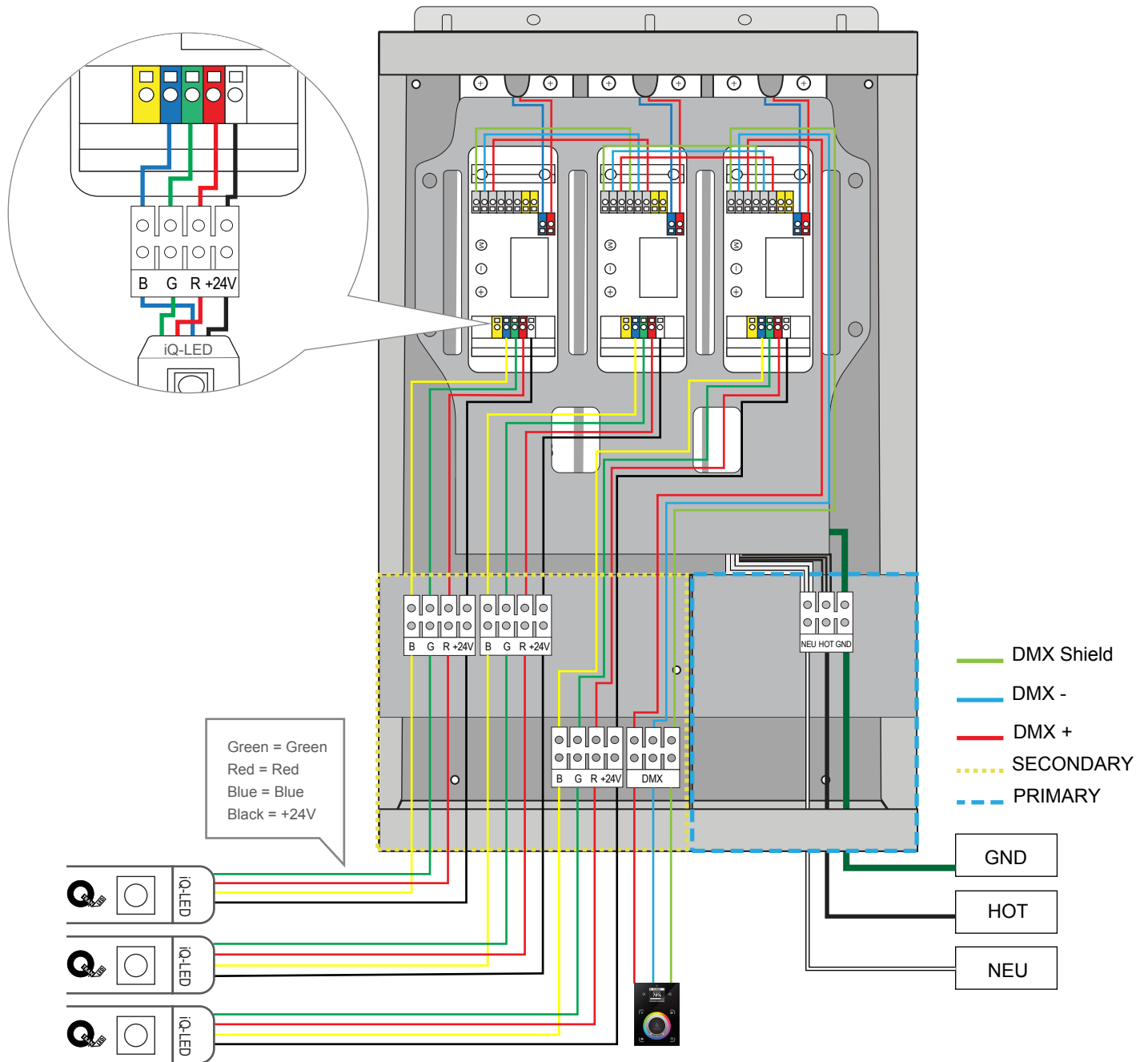
*Specification subject to change 2017.V03

PROJECT NAME	DATE	COMPANY	TYPE	NOTE

iQ LED TAPE LIGHT COMPATIBLE POWER SUPPLIES

QOM-eLED+DMX

: for interior



iQ LED TAPE LIGHT COMPATIBLE POWER SUPPLIES

QOM-DRIVE

: for interior

