



QJB-DC

DC JUNCTION BOX

Housing Dimensions

- 20 - gauge Steel Enclosure
- Junction Box: 4.00"W x 4.00"H x 2.20"D
- Door: 4.07"W x 4.07"H
- Color: White Powder coating
- Knockouts: 2

Primary Circuit Protection

- Primary Autotest Thermal Protector

NOTE: Thermal protector will temporarily disconnect the primary if the transformer overheats due to an overload or saturation from a faulty dimmer

Secondary Circuit Protection

- Magnetic Circuit Breaker: 1
- Amps: 5A

NOTE: Breakers are sized to the feed load per N.E.C. Article 411

Included Items

- Barrier Plate

Toroidal Transformer

- Primary Taps: 1
- Output Voltages: 12V & 24V

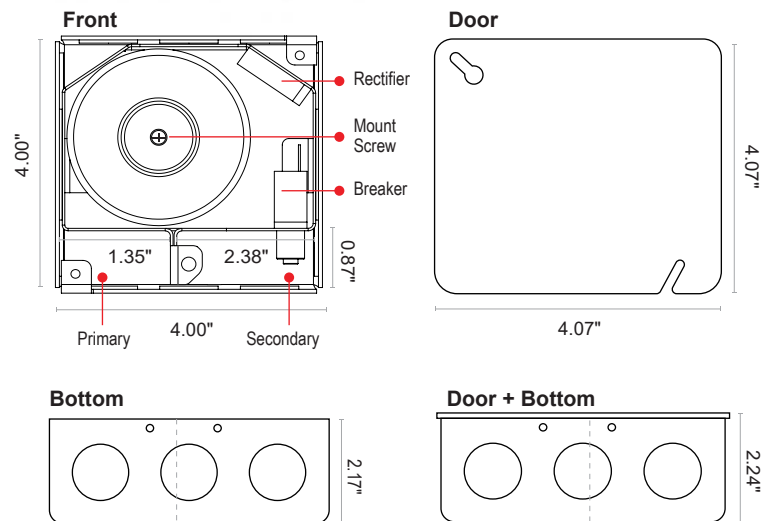
LOW VOLTAGE LIGHTING POWER SUPPLY

- FOR INDOOR USE ONLY
- SUITABLE FOR DAMP LOCATIONS
- WALL OR RECESS MOUNT CAPABLE
- TYPE IC RECESSED, INHERENTLY PROTECTED
- DIMMER, IF USED, MUST BE MAGNETIC LOW VOLTAGE DIMMER
- Class 2 Output
- CSA #239924

Low Voltage Lighting Systems

- : UL 1598 – Luminaires
- : UL 2108 – Low Voltage Lighting Systems
- : UL 8750 – Light Emitting Diode (LED) Equipment for Use in Lighting Products
- : CSA C22.2 No. 250.13-14 – Light Emitting Diode (LED) Equipment for Lighting Applications

- DIMMER, IF USED, MUST BE MAGNETIC LOW VOLTAGE DIMMER
- DIMMERS MUST HAVE A NEUTRAL
- SUITABLE FOR CLASS 2 WIRING
- FOR SUPPLY CONNECTIONS USE WIRES RATED FOR AT LEAST 75°C



| ORDERING GUIDE | | | | |
|------------------------|-------|-------------------|-----------------------|-----------------------|
| Model | Size | Prim. V | Sec. V | |
| QJB | — | — | / | |
| 1. Size | Watts | Secondary Voltage | Max Prim. Amps @ 120V | Max Prim. Amps @ 277V |
| 10DC | 1X10W | 12V | .096 A | .042 A |
| 20DC | 1X20W | 12V | .192 A | .083 A |
| 10DC | 1X10W | 24V | .096 A | .042 A |
| 20DC | 1X20W | 24V | .192 A | .083 A |
| 2. Primary Voltage | | | | |
| 120(60Hz) 277(60Hz) | | | | |
| 3. Secondary Voltage | | | | |
| 12VDC 24VDC | | | | |
| ORDERING SAMPLE | | | | |
| QJB-20DC-120/12 | | | | |



20191022-V2

| PROJECT NAME | DATE | COMPANY | TYPE | NOTE |
|--------------|------|---------|------|------|
| | | | | |



QJB DC JUNCTION BOX

WIRING DIAGRAMS

